



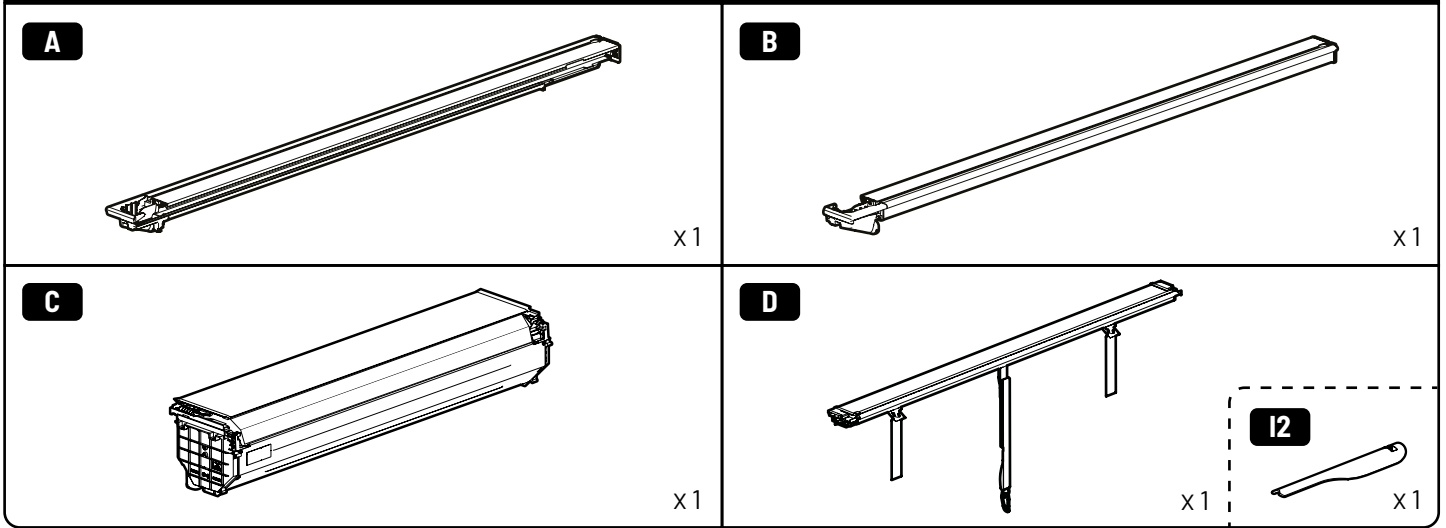
MOUNTAIN TOP® EV0m

Installation manual

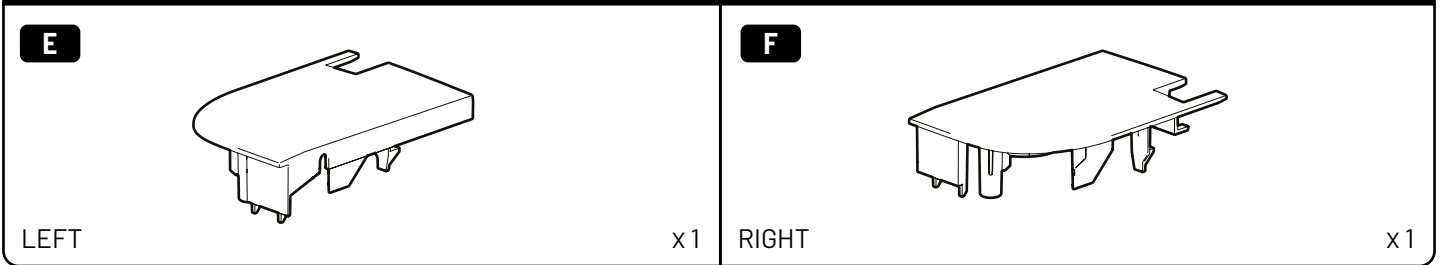


DOWNLOAD PDF

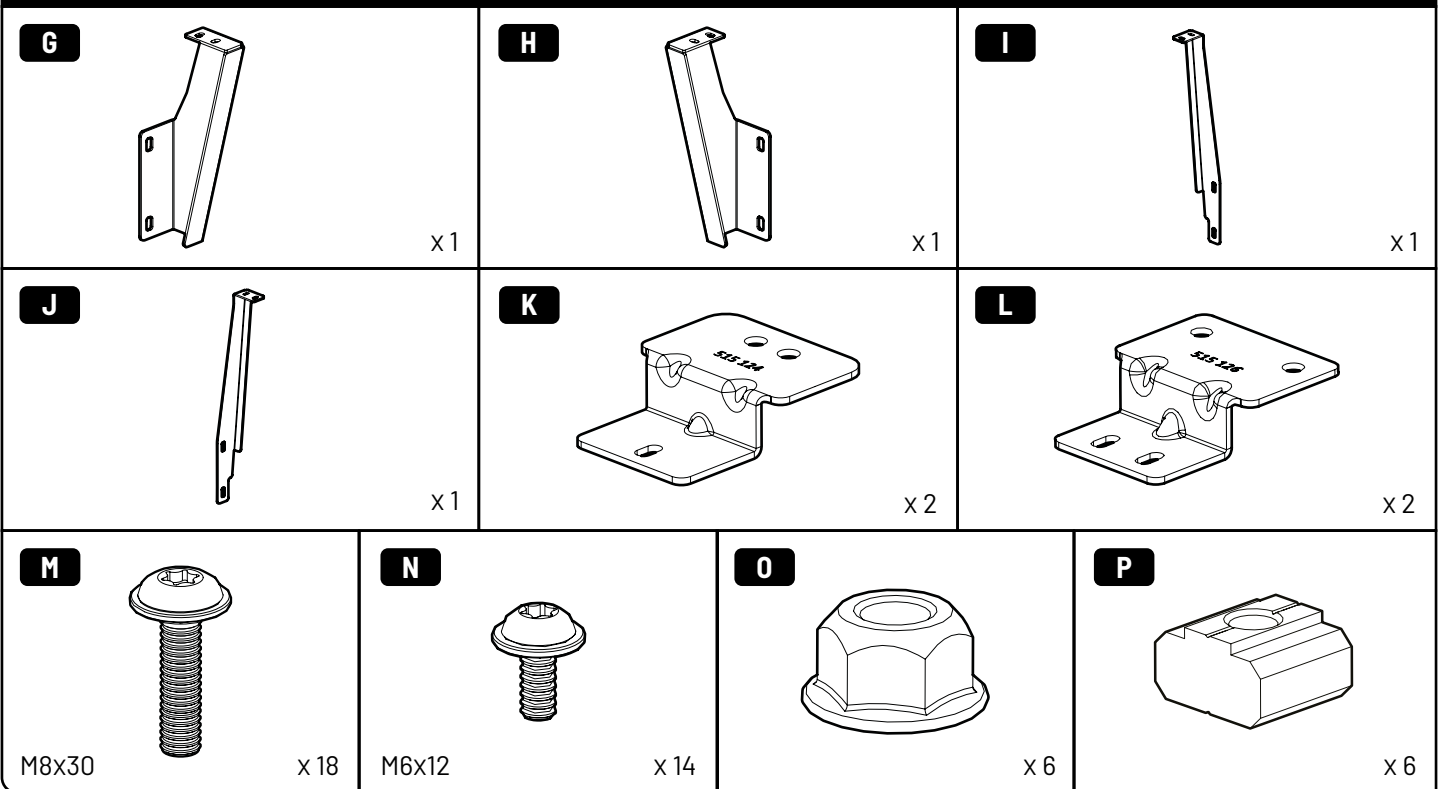
Parts

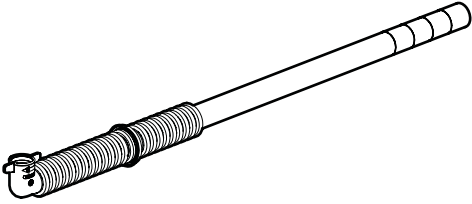
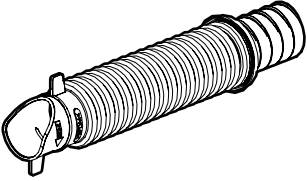
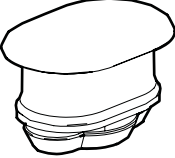

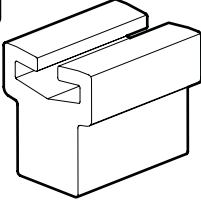
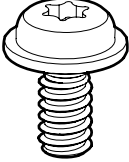


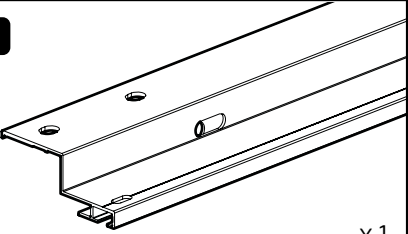
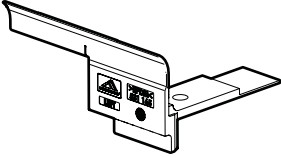
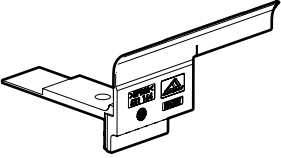
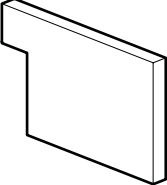
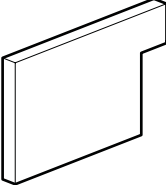
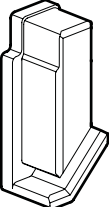
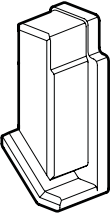
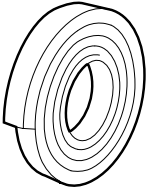
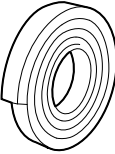

Kit

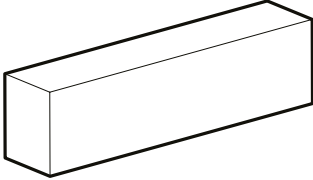


Kit



Kit			
Q		R	
	x 2		x 2
S		T	
	x 2	M6x30	x 2
U		V	
	x 4	M6x16	x 4

Kit			
W		X	
	x 1		x 1
Y		Z	
	x 1		x 1
A2		B2	
	x 1		x 1
C2		D2	
	x 1	6x25mm	x 2
E2		F2	
	6x10mm	x 1	M5x14
		x 2	x 2

Kit	
G2	
20x25x100mm	x 2

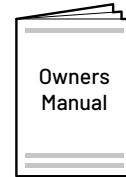
Kit



x1

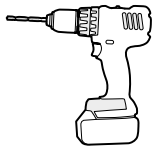


x1



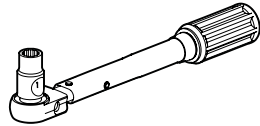
x1

Tools needed



Ø3.5 + Ø10 MM

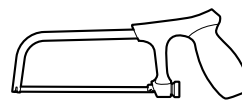
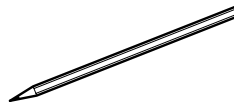
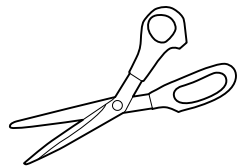
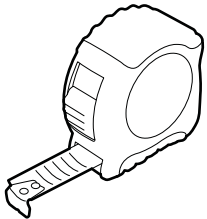
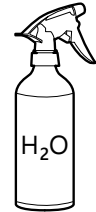
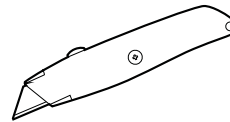
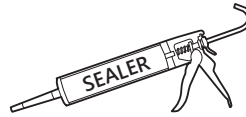
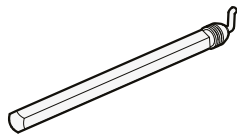
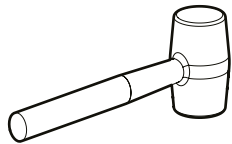
1 - 25 Nm



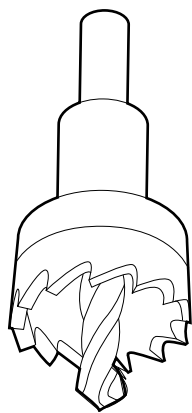
★ T20, T30, T40



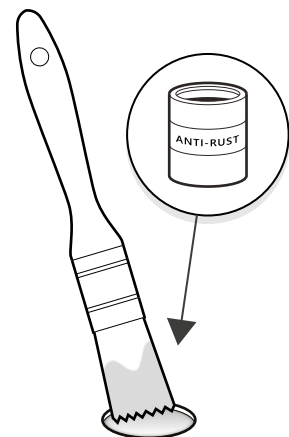
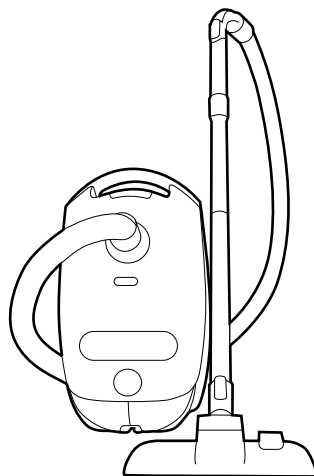
Rust protection
Rostschutzmittel
Anti-rouille
Anti roest



Applying rust protection

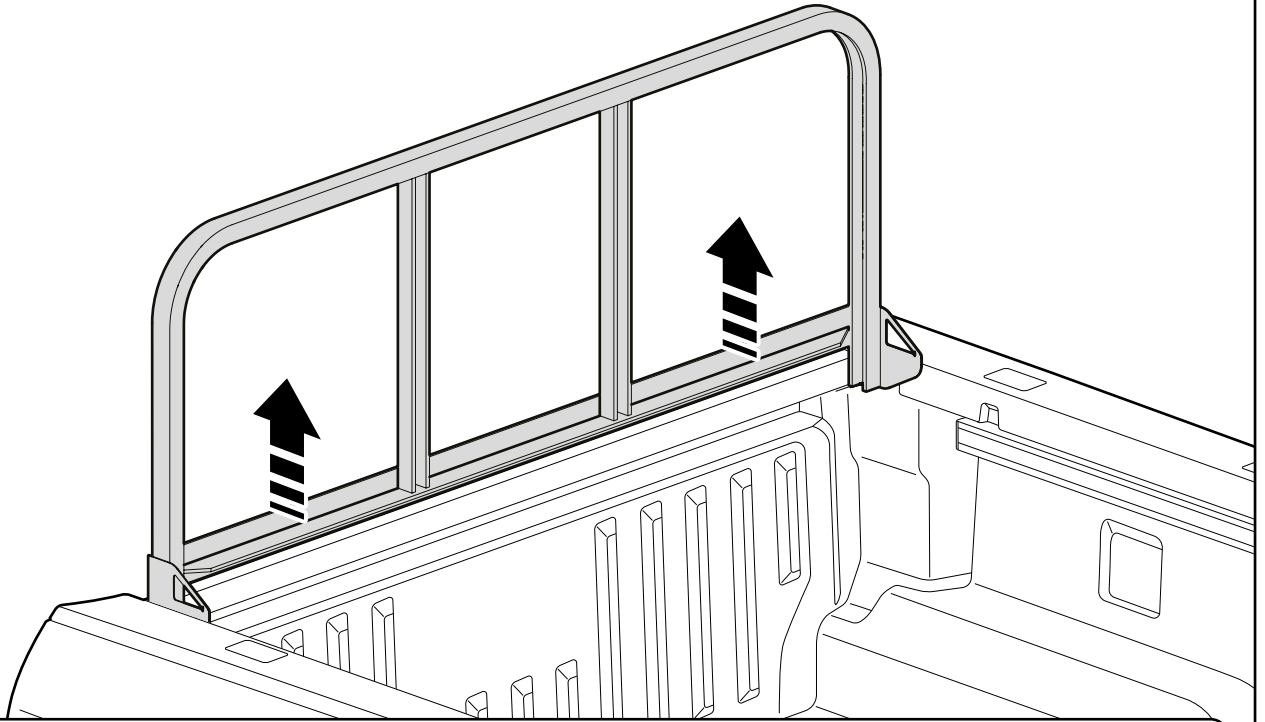


Ø30 / Ø40 mm

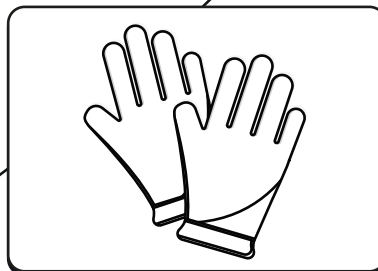


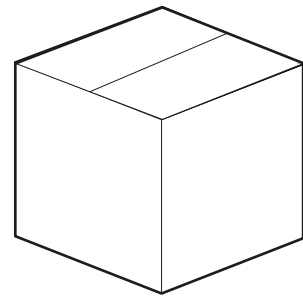
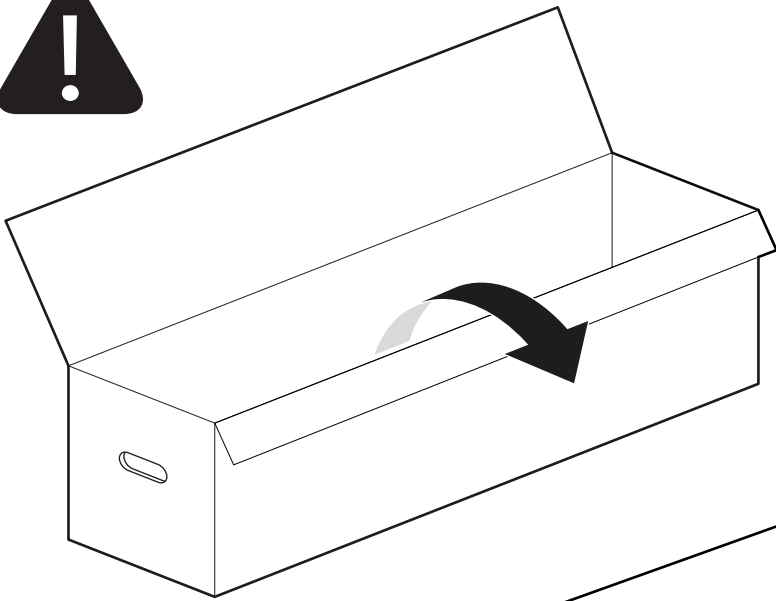


**If sheet metal is scratched during installation,
apply rust protection to damaged areas**

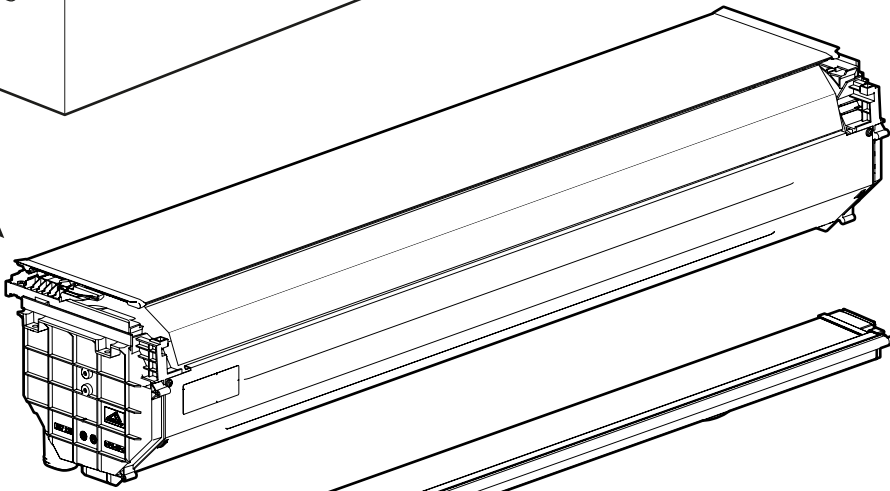


Rollershutter not compatible with load rest bar - part cannot be re-installed once Rollershutter have been installed (store parts)

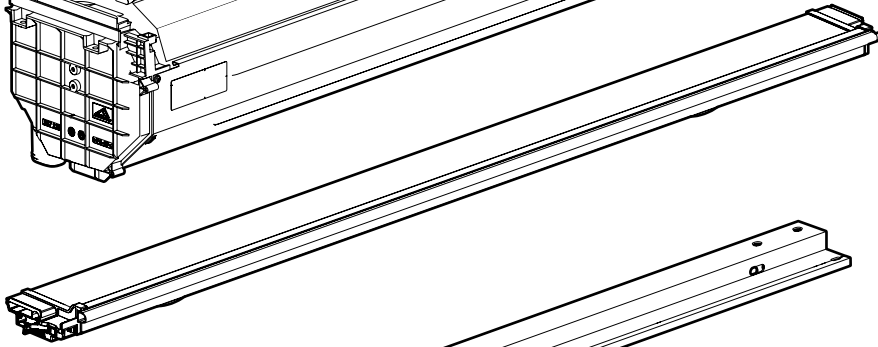




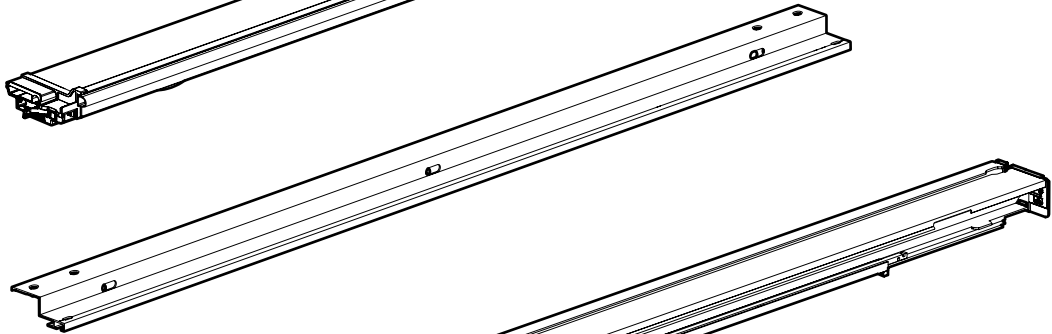
C



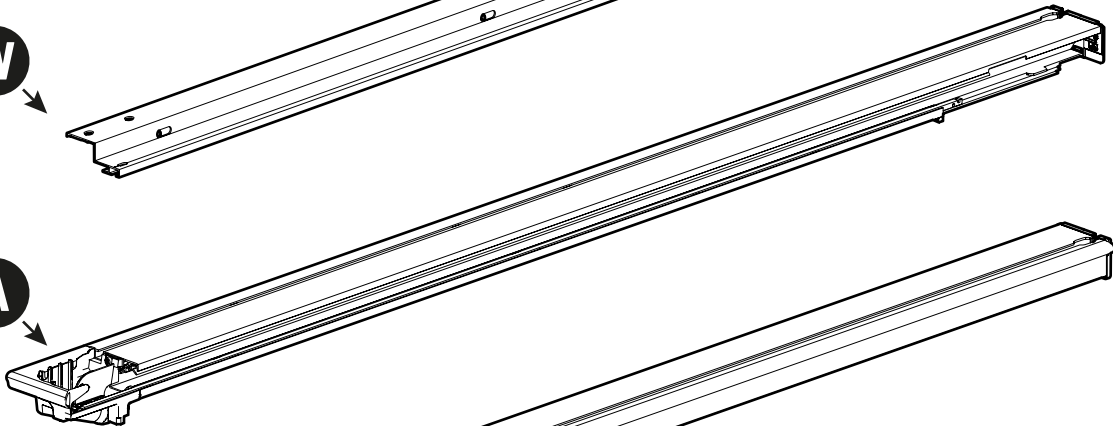
D



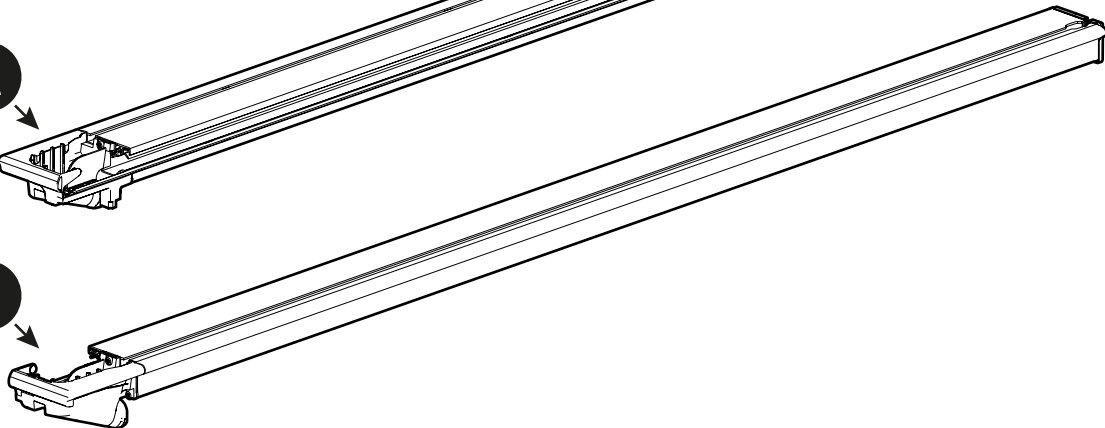
W



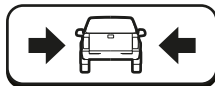
A



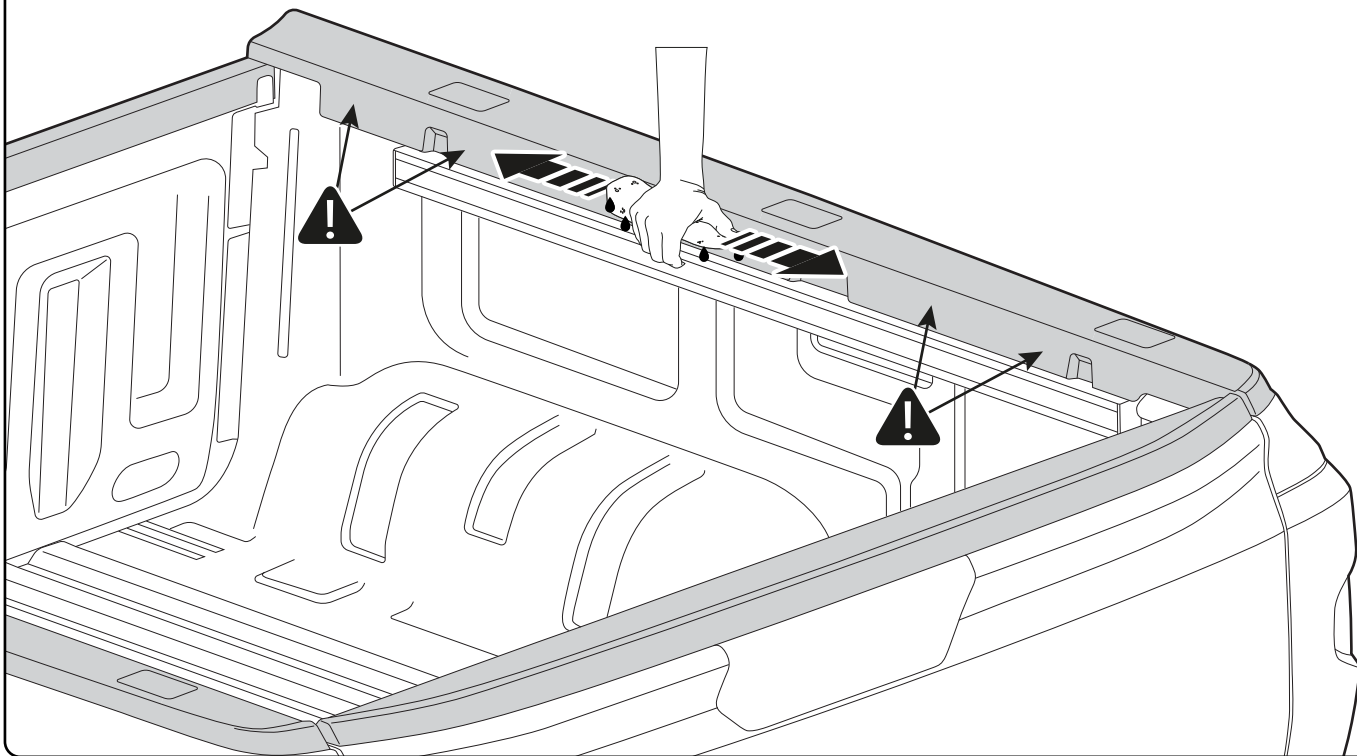
B



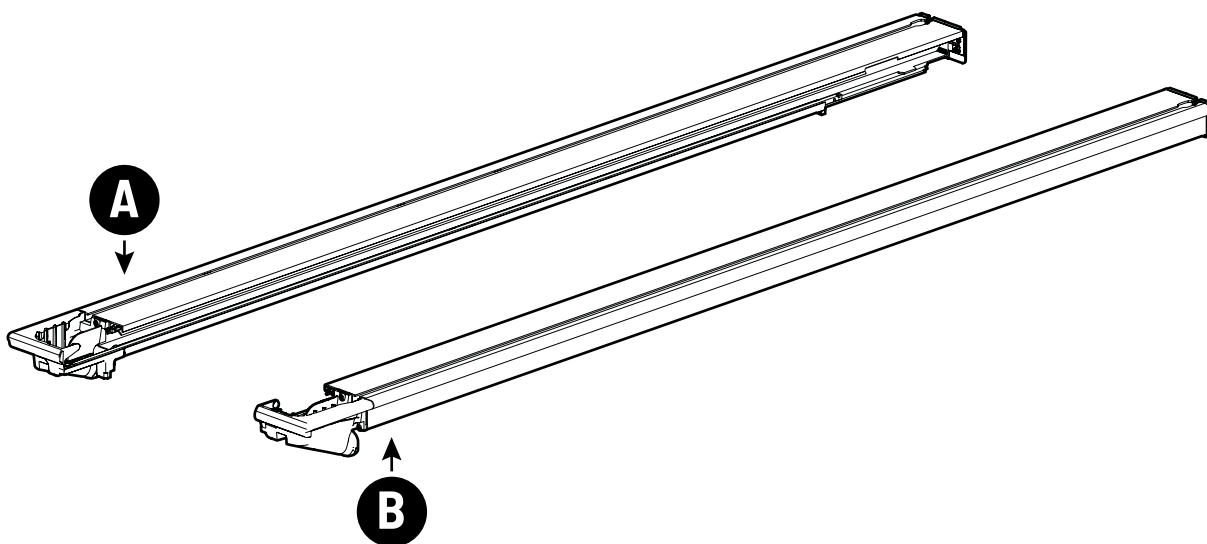
 Water & sponge

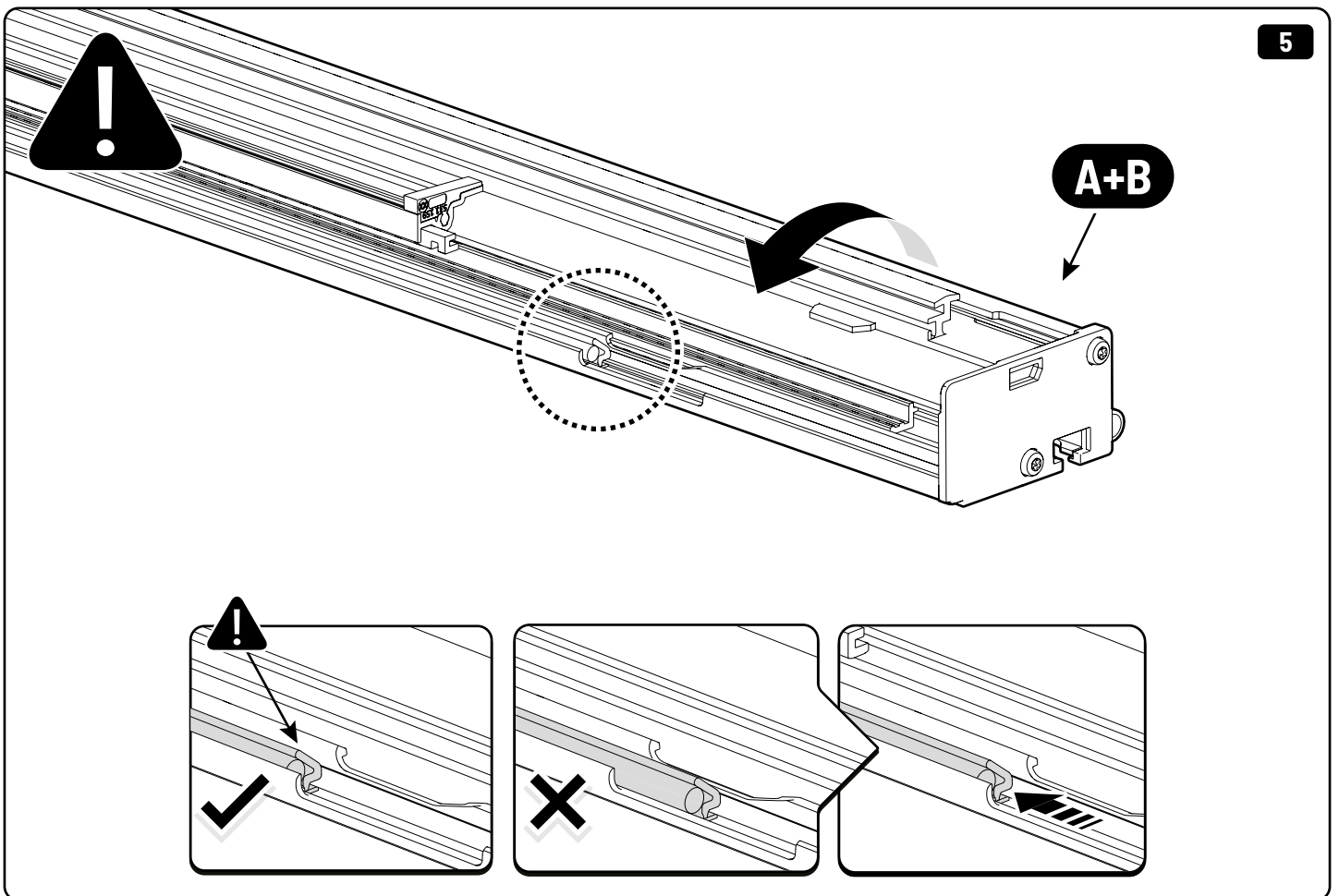
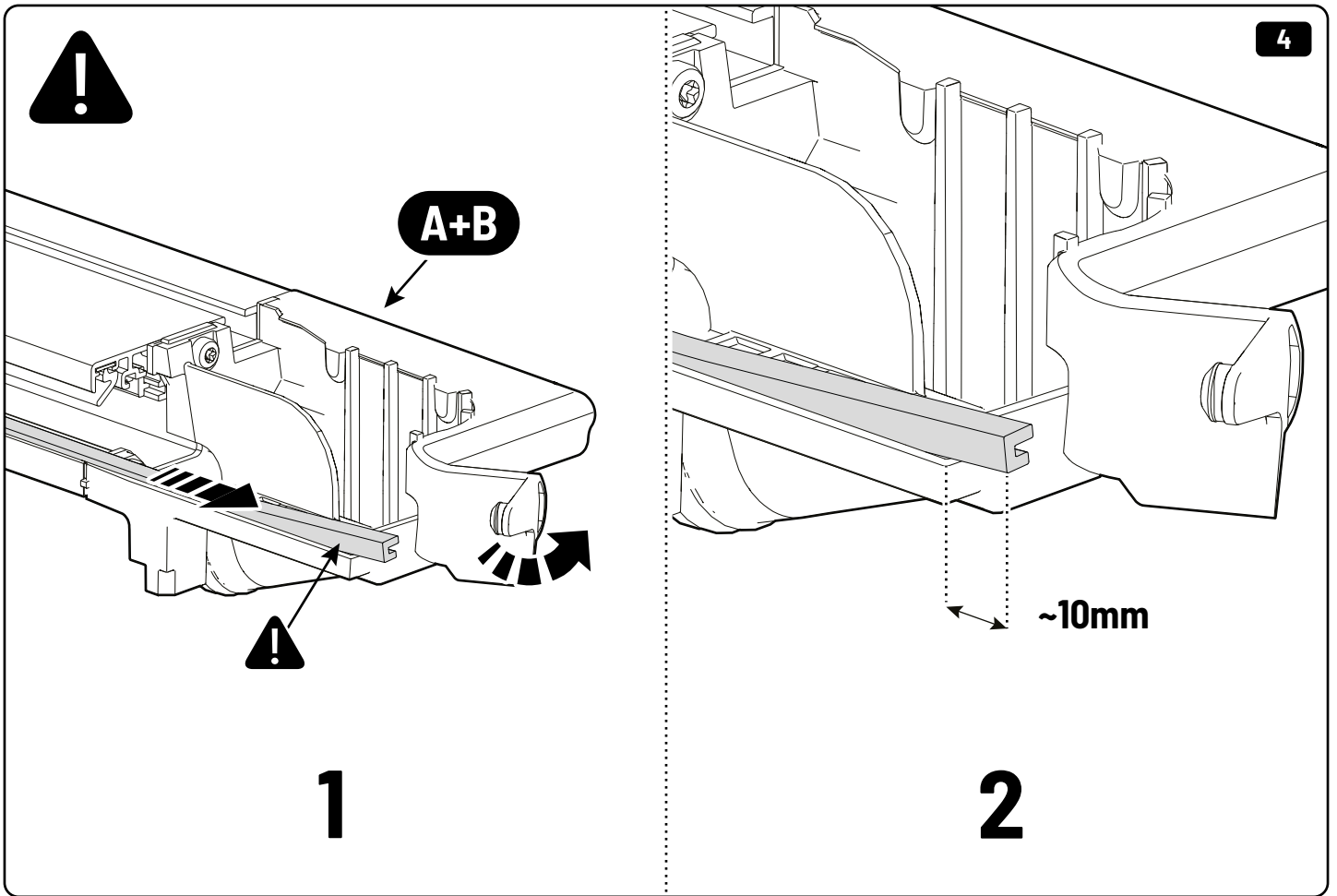


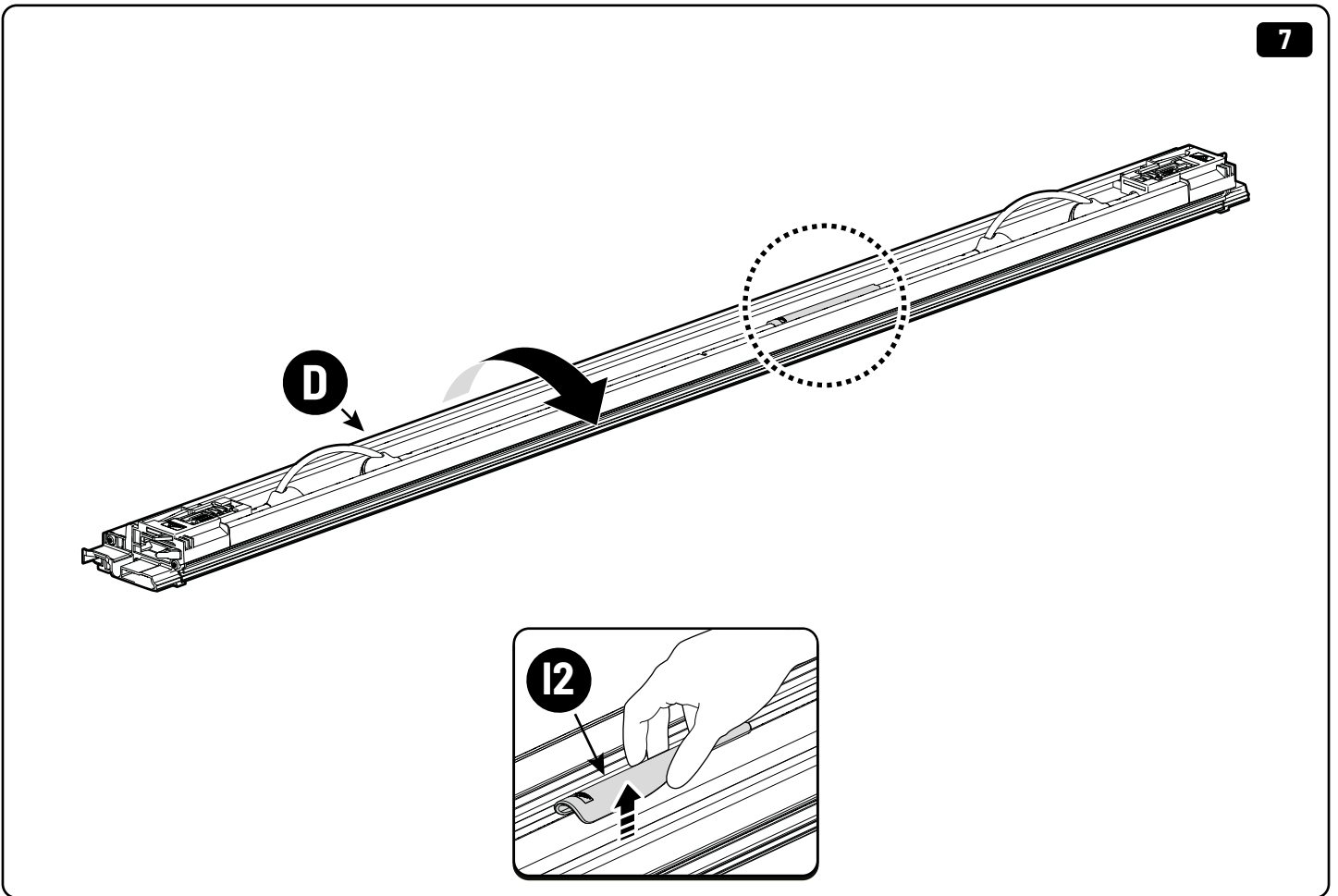
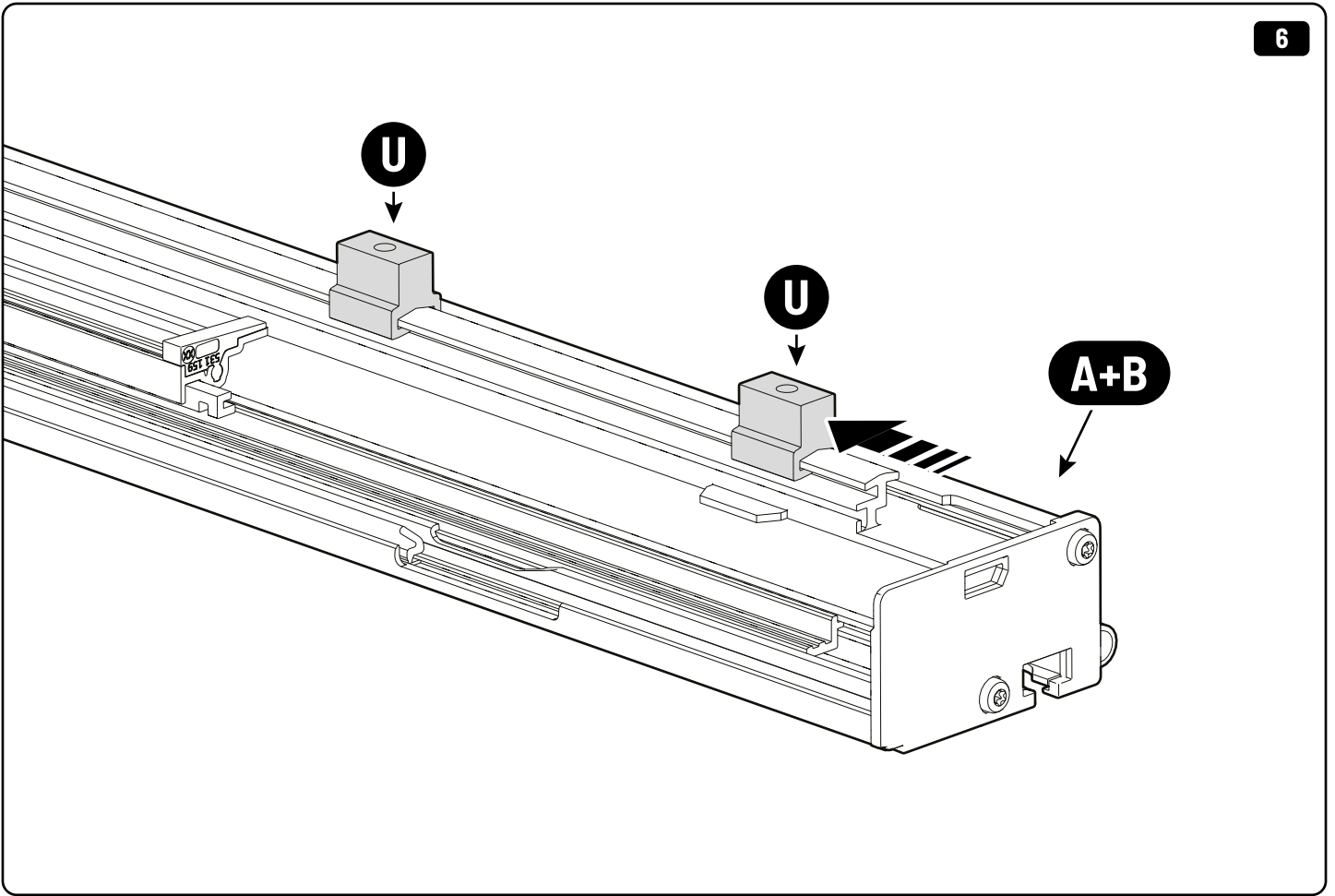
2

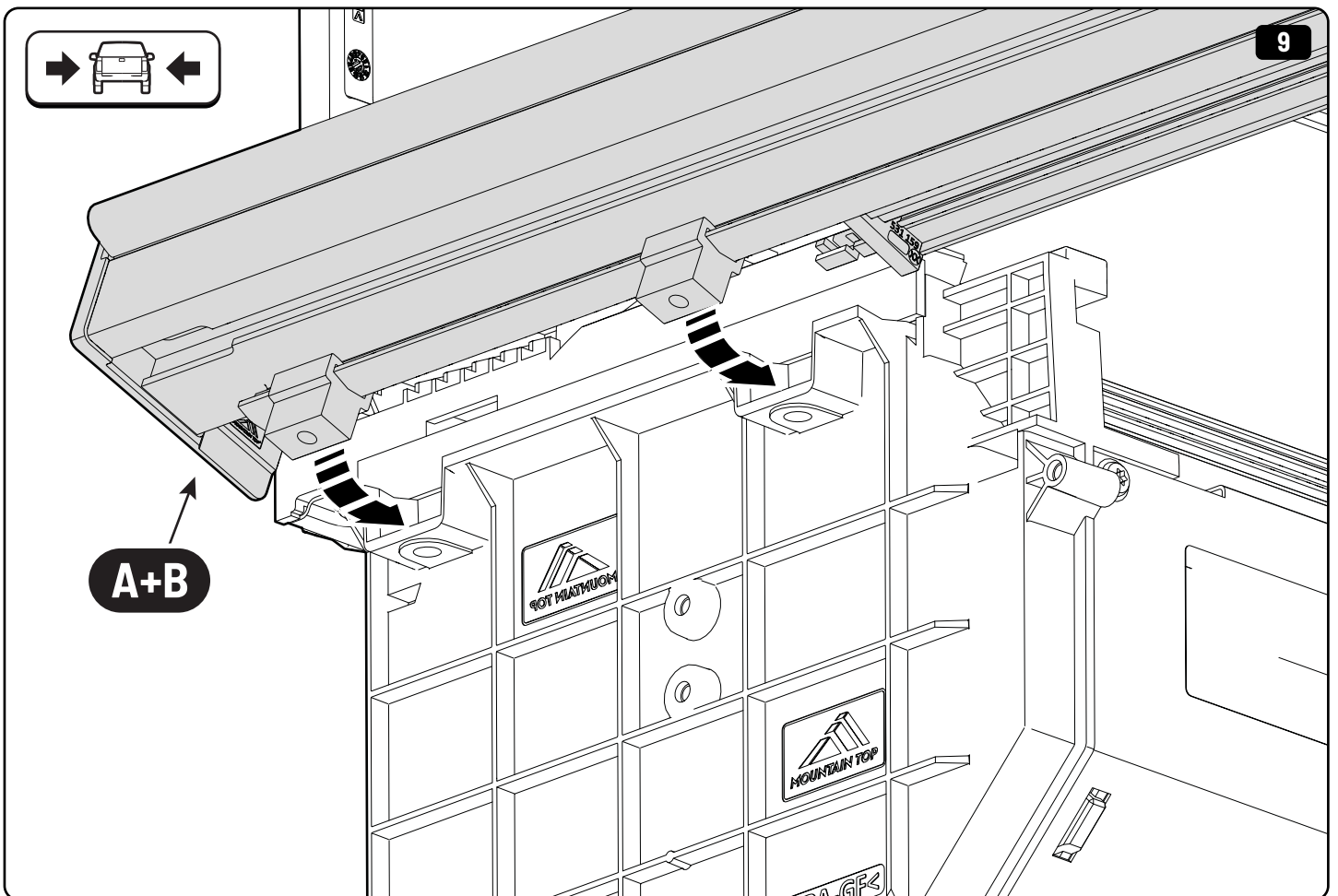
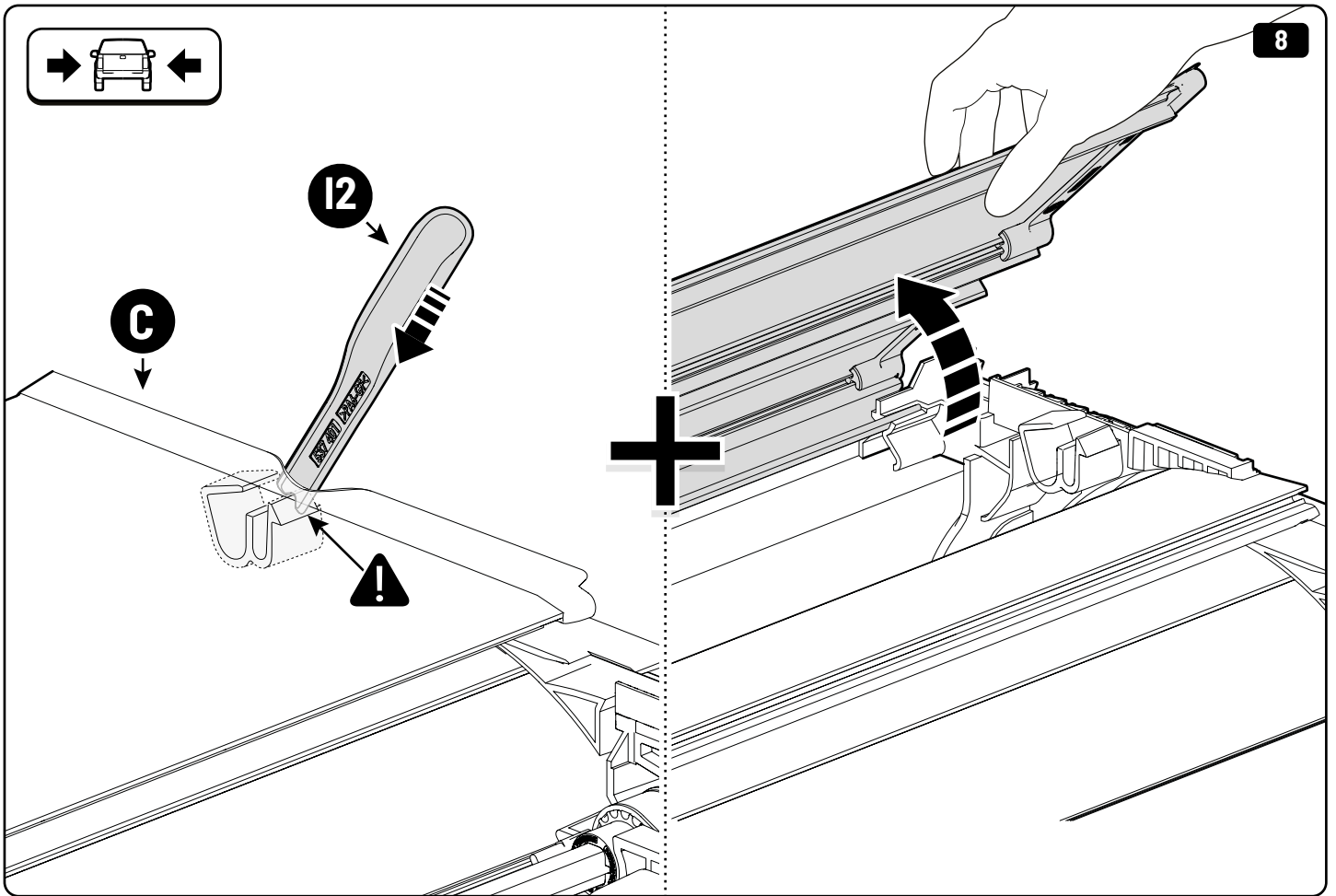


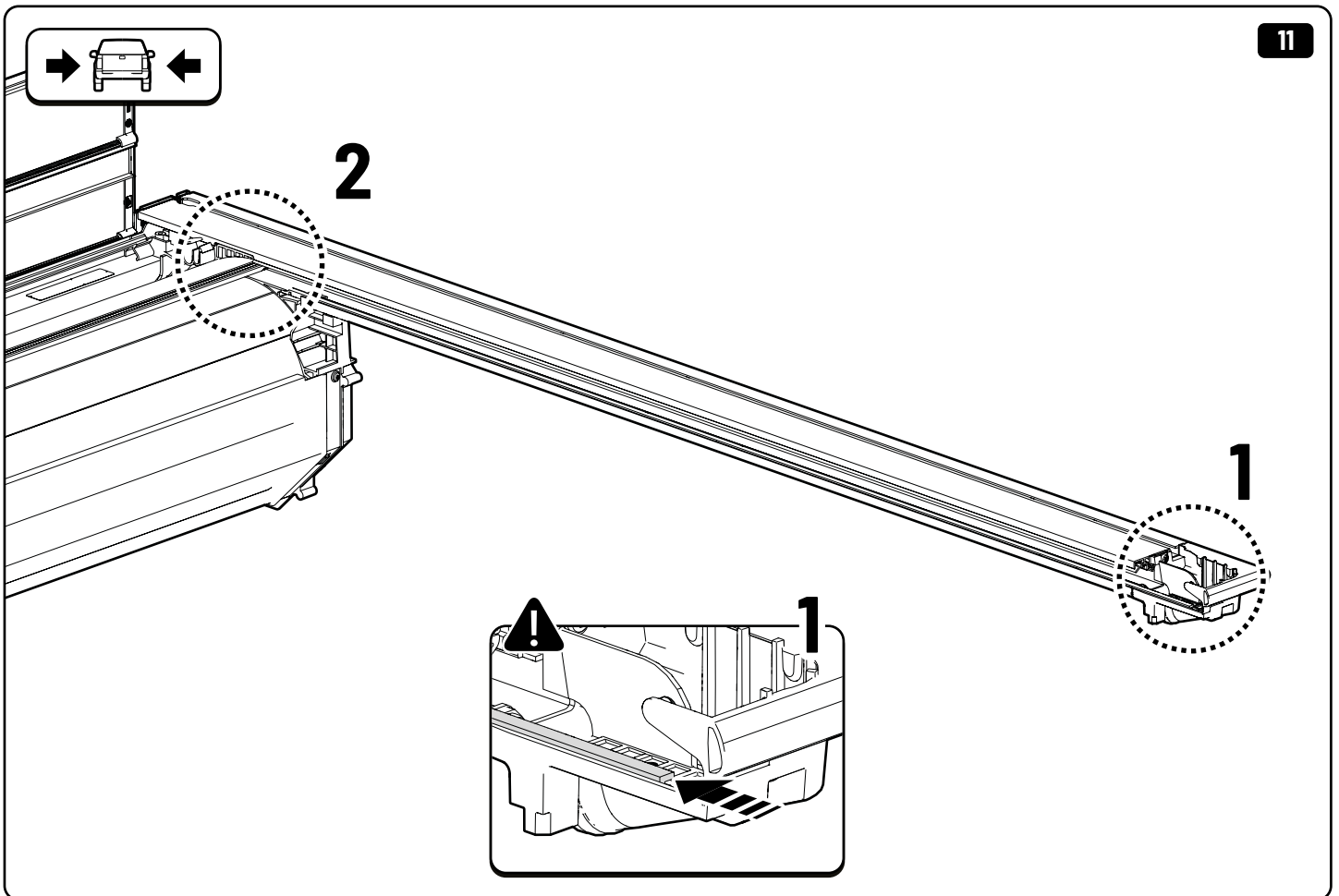
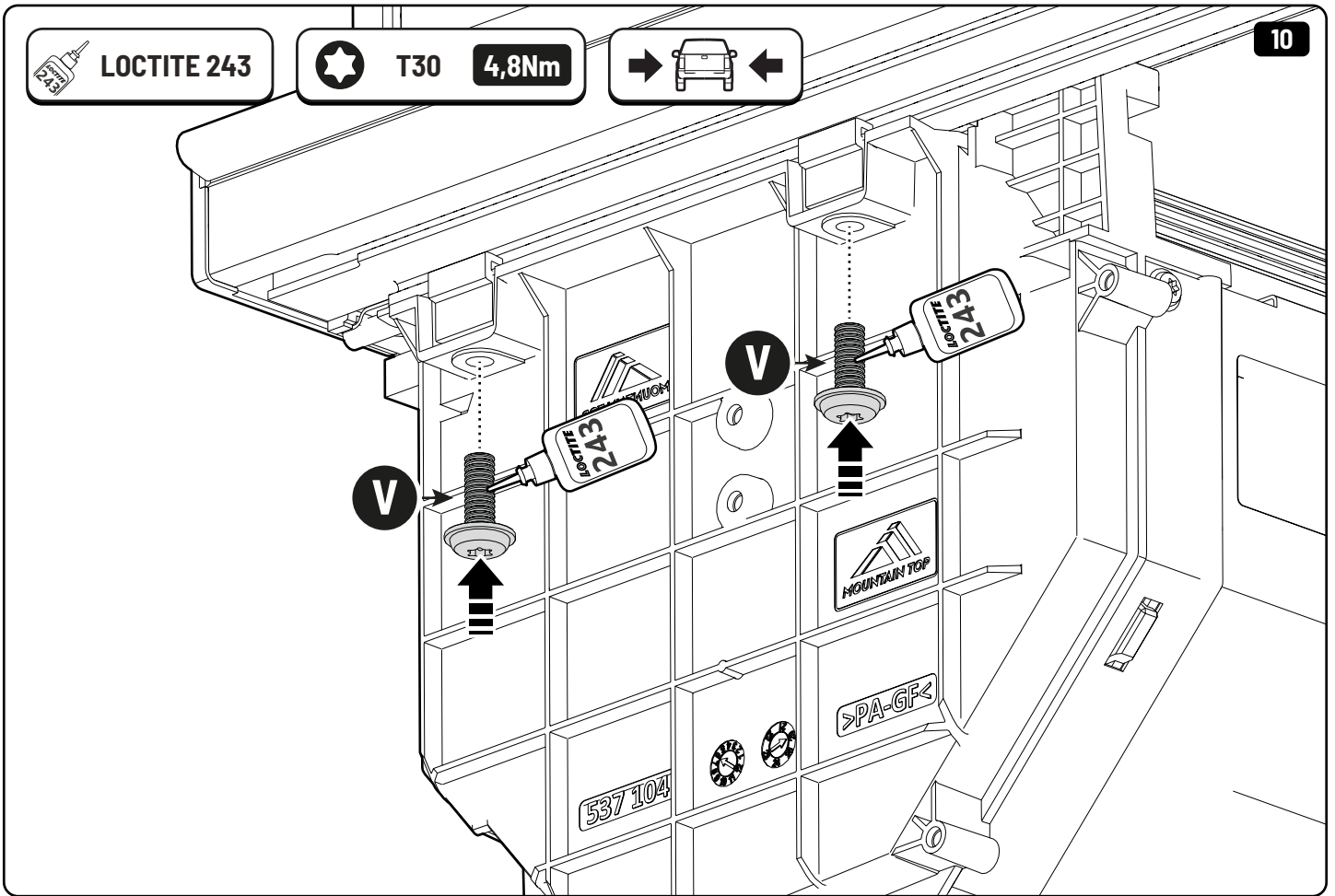
3

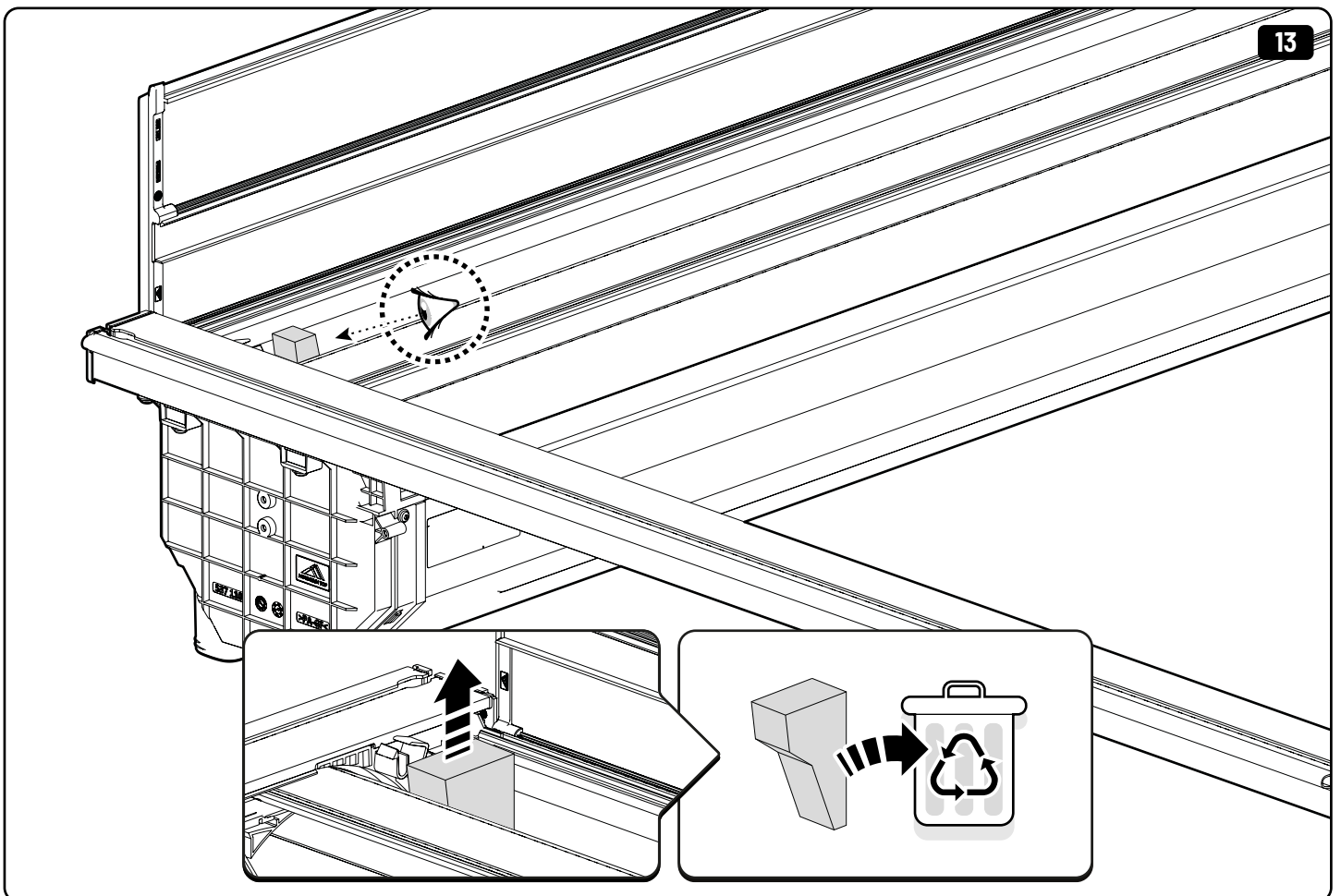
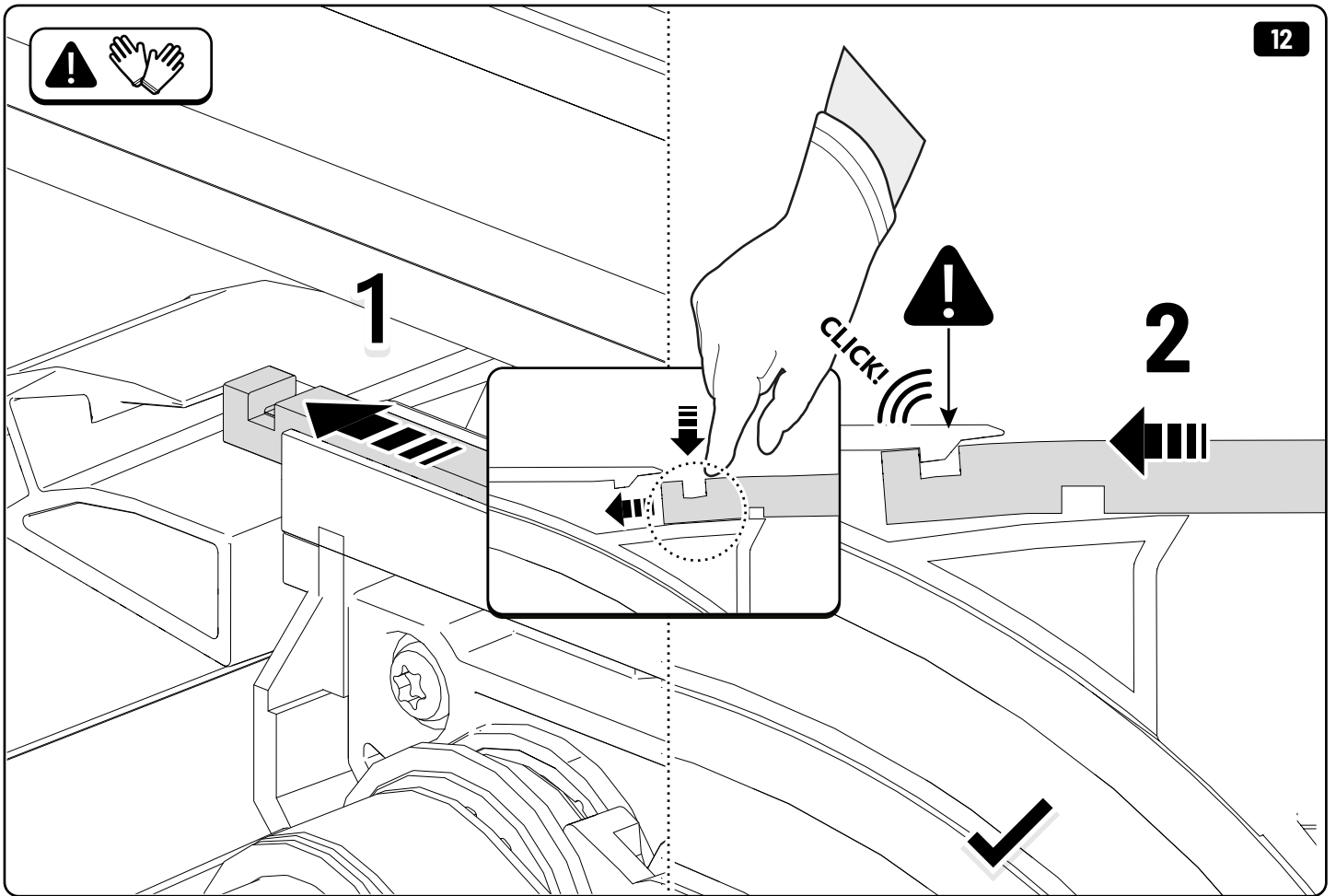


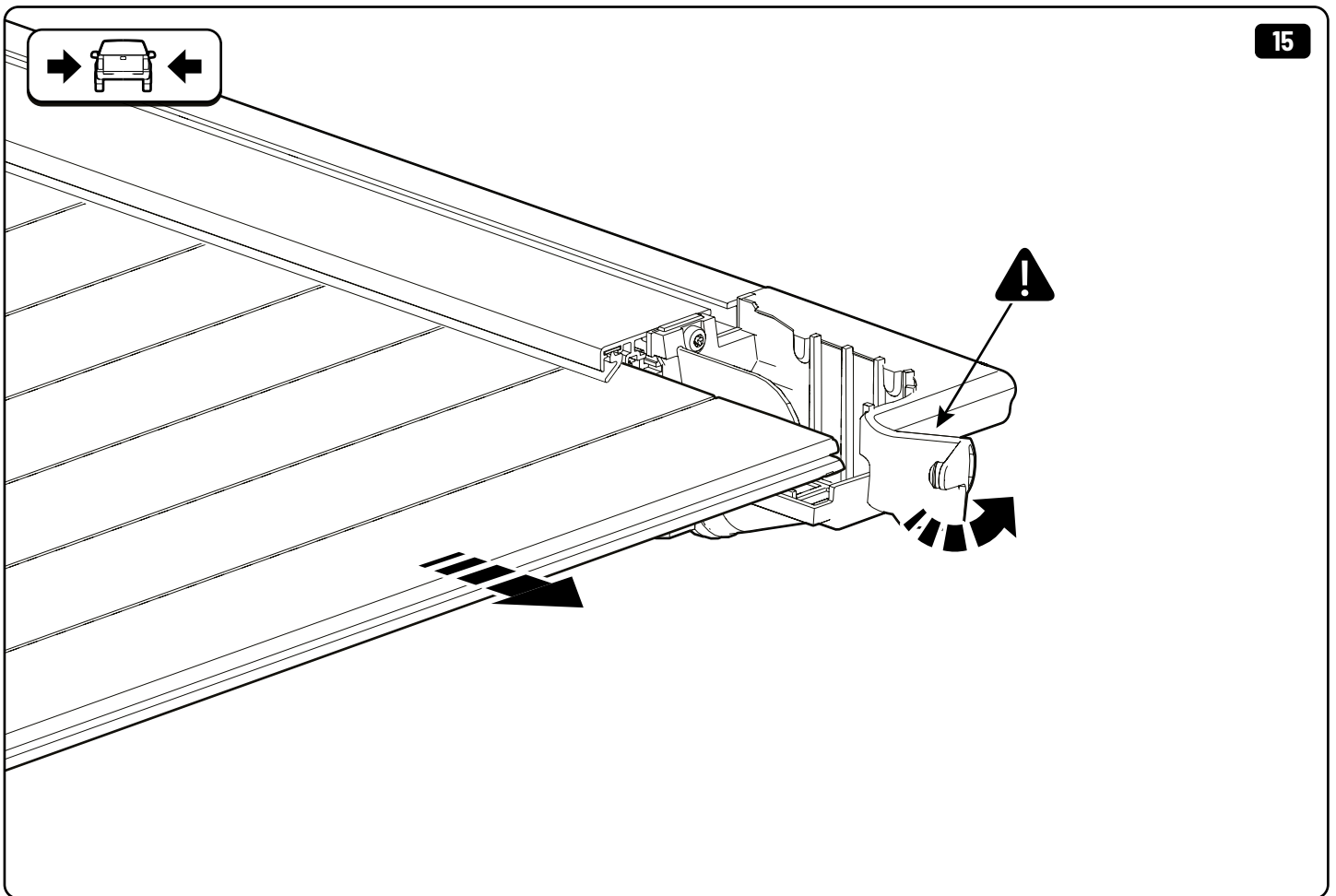
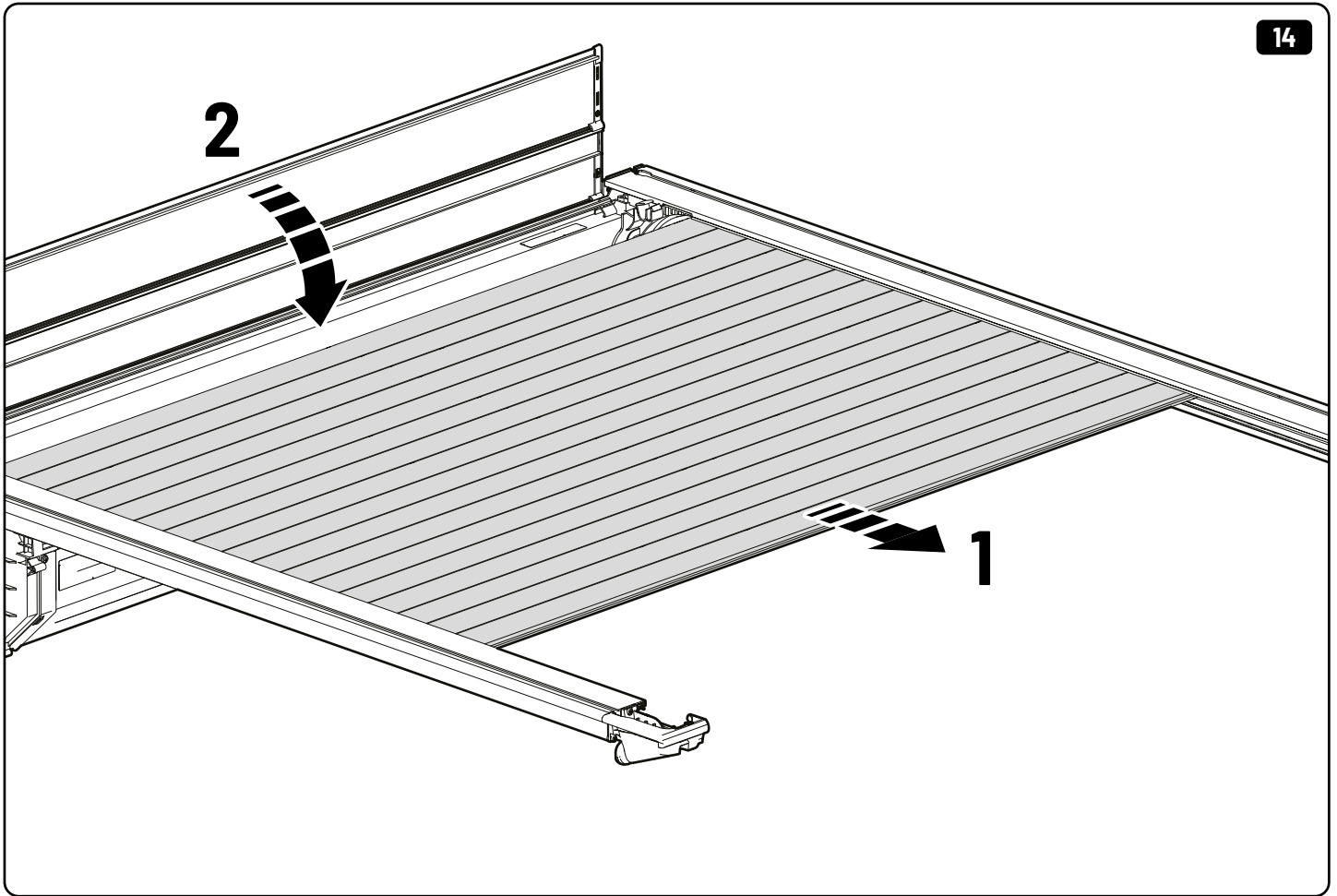


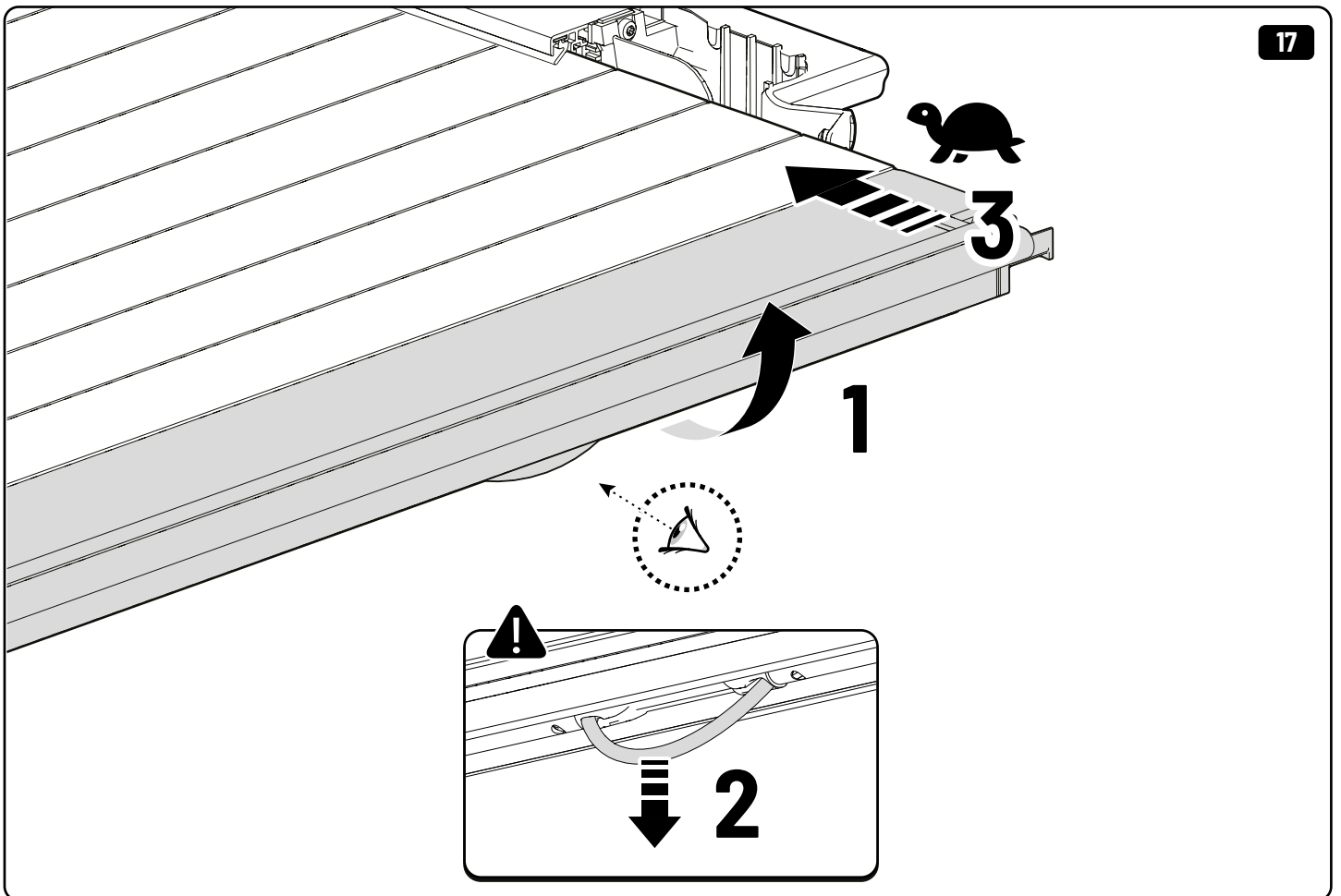
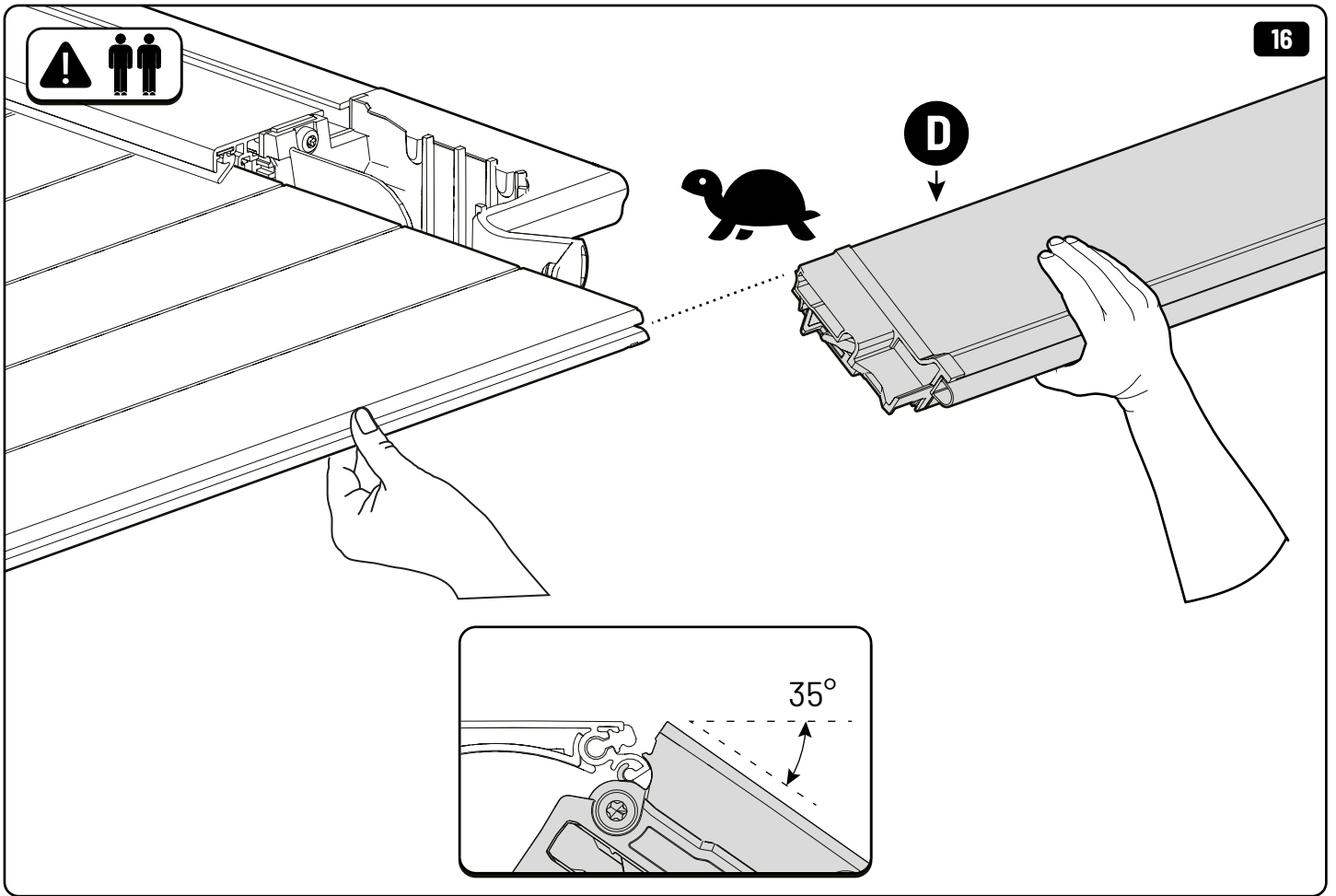


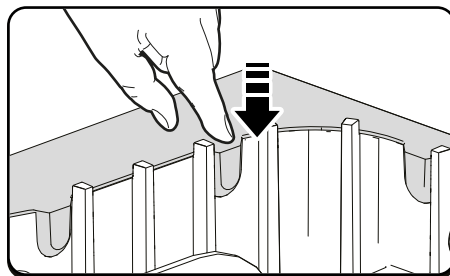
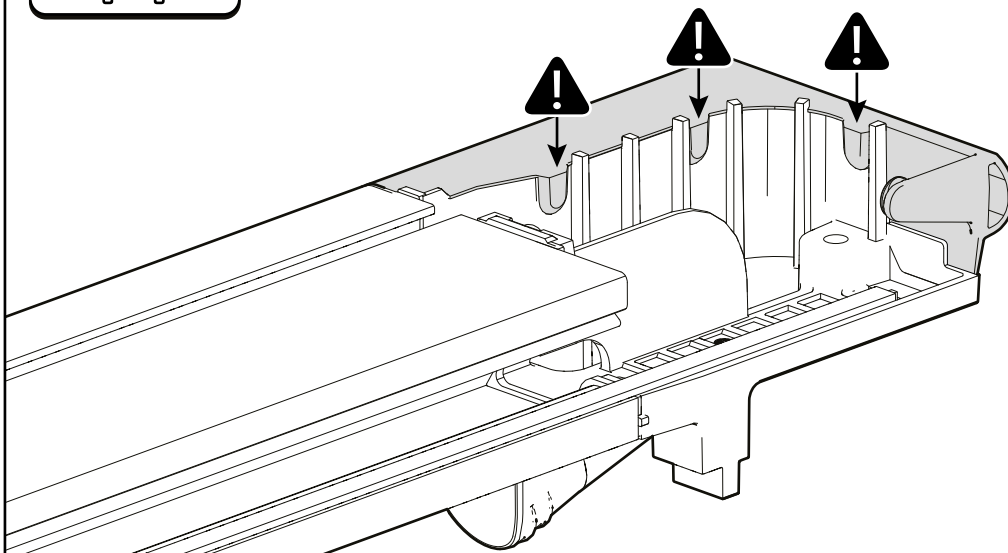
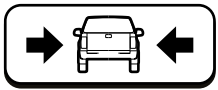
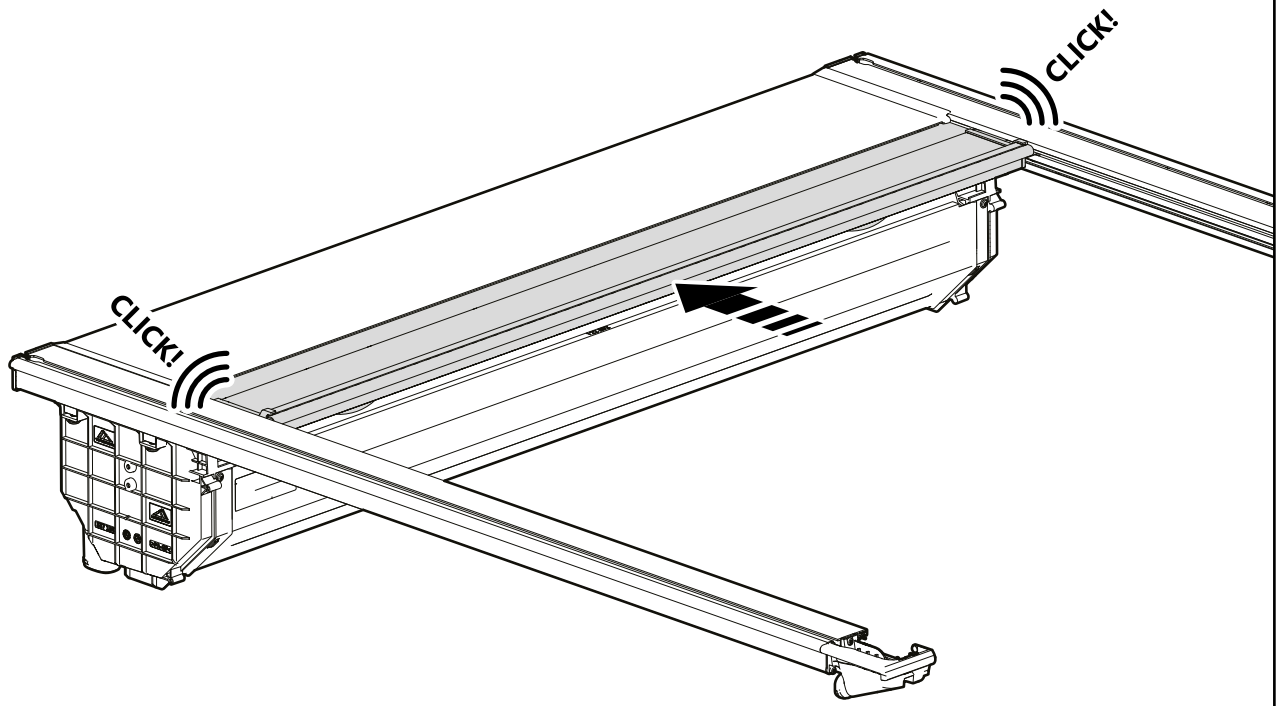




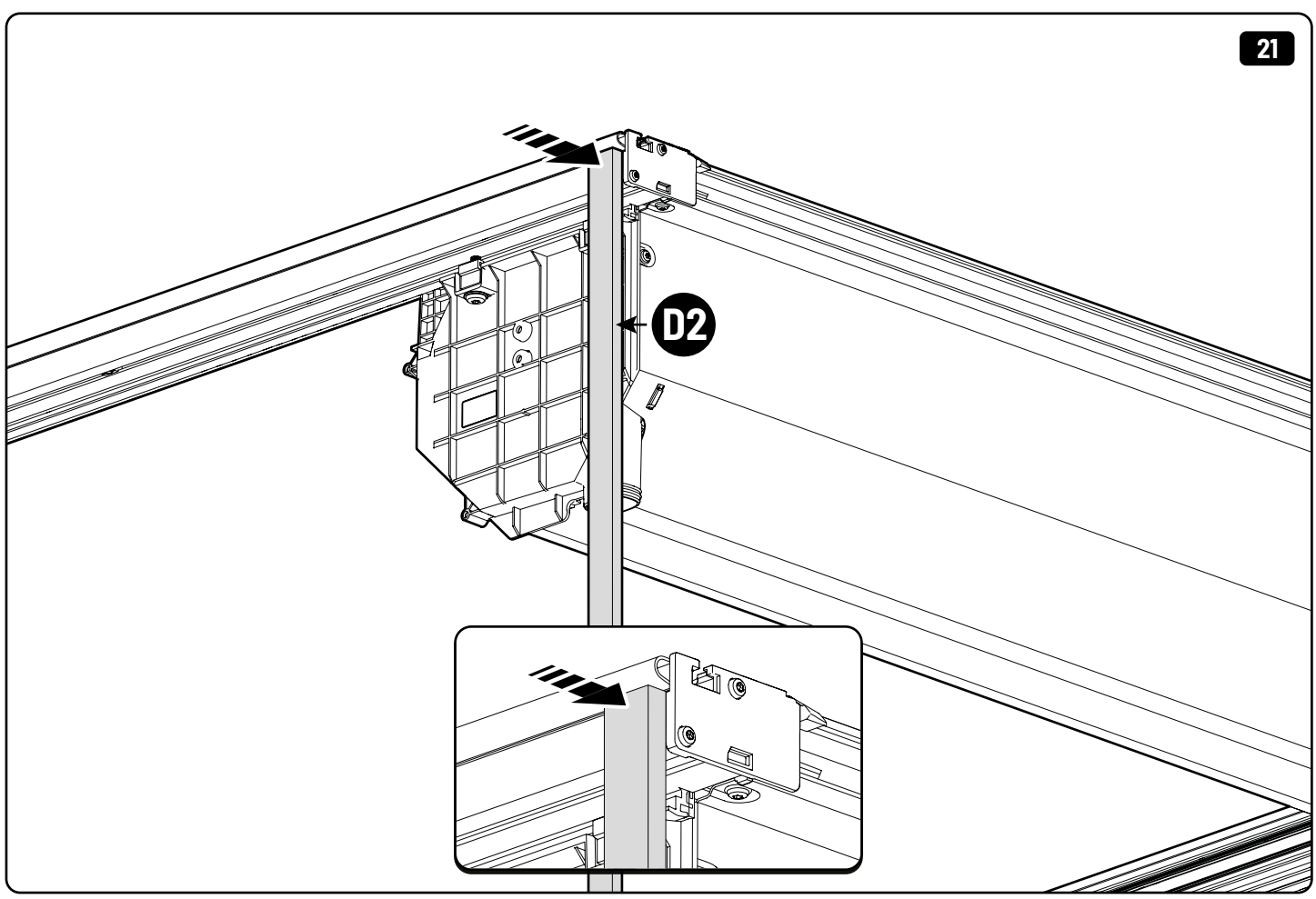
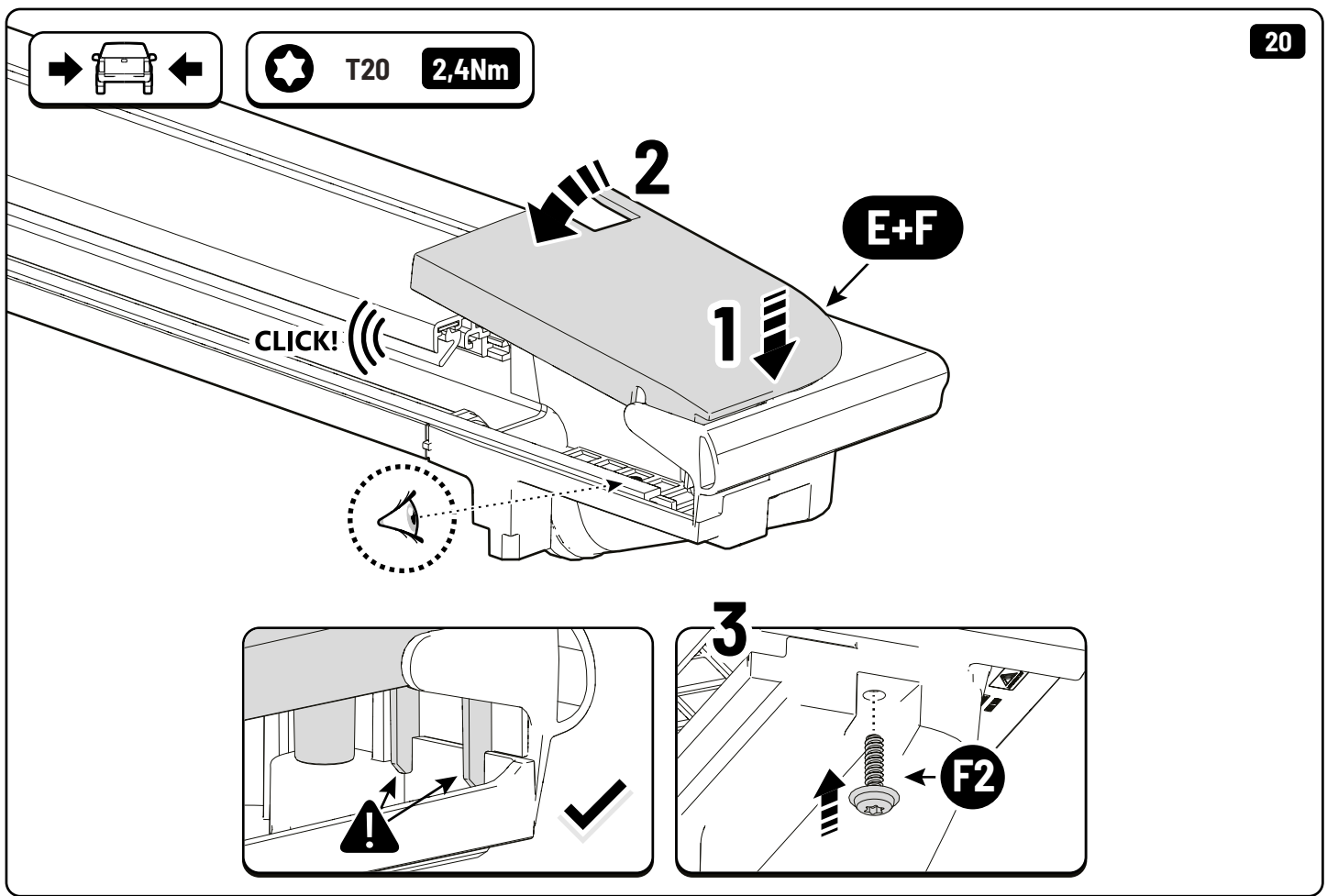


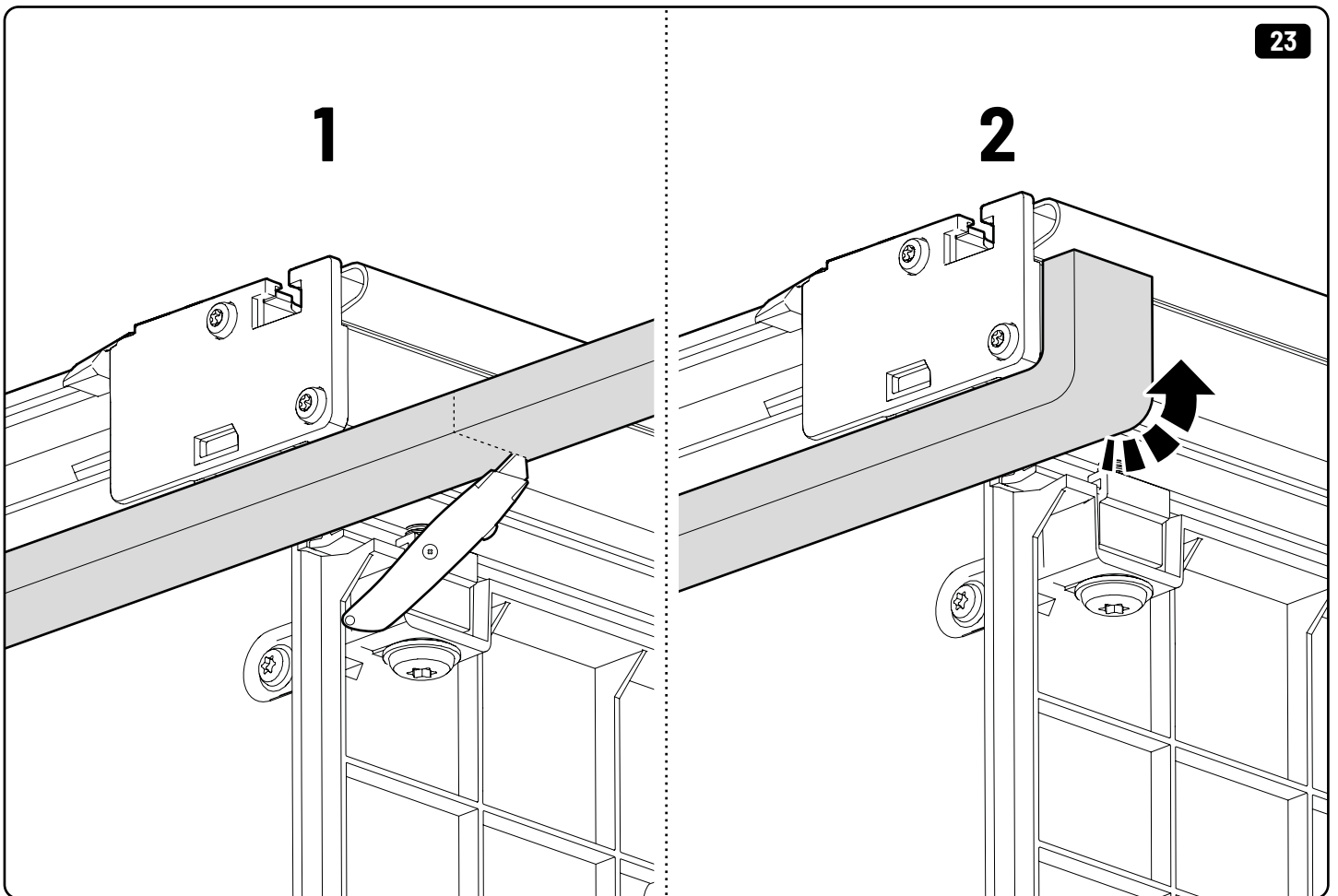
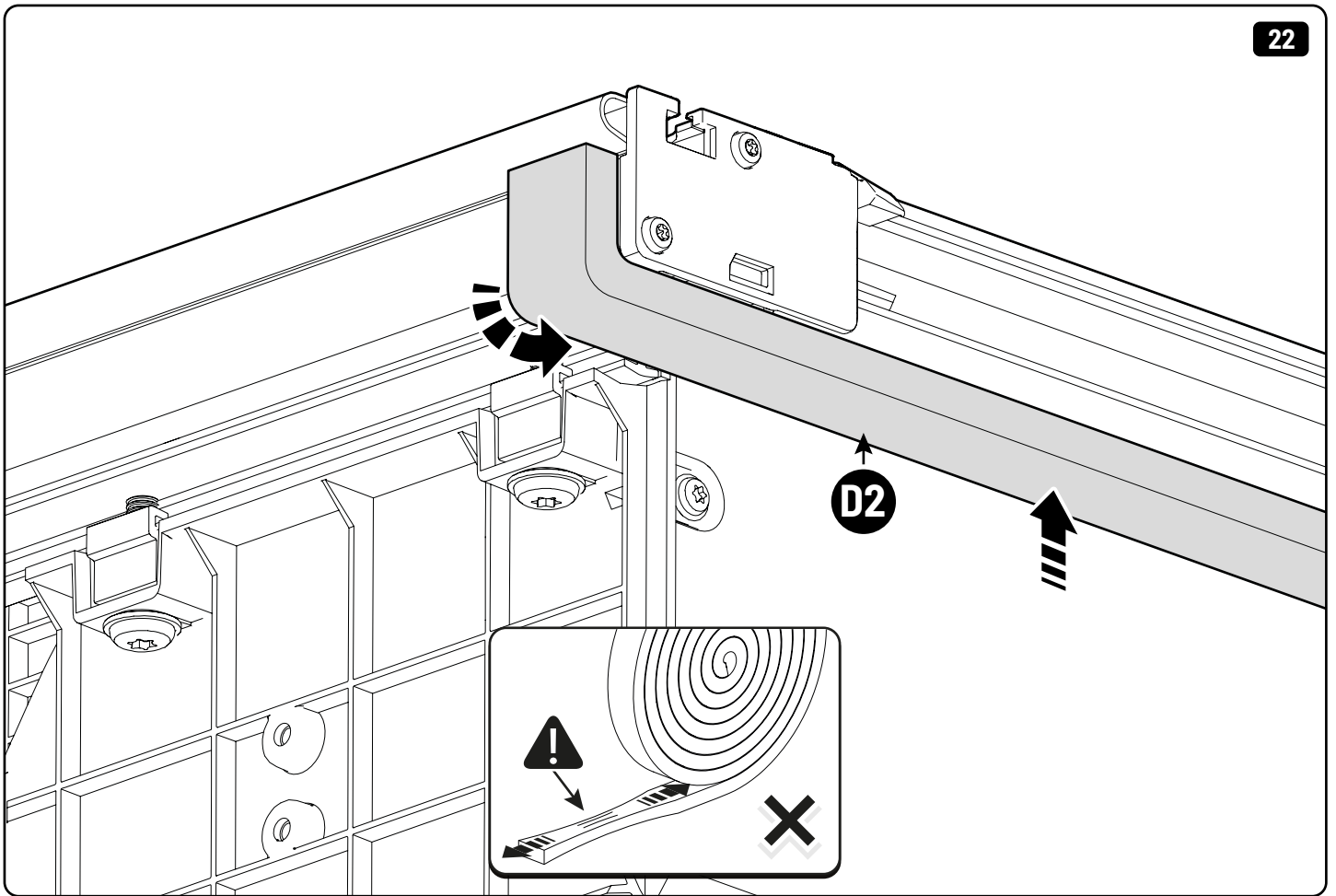


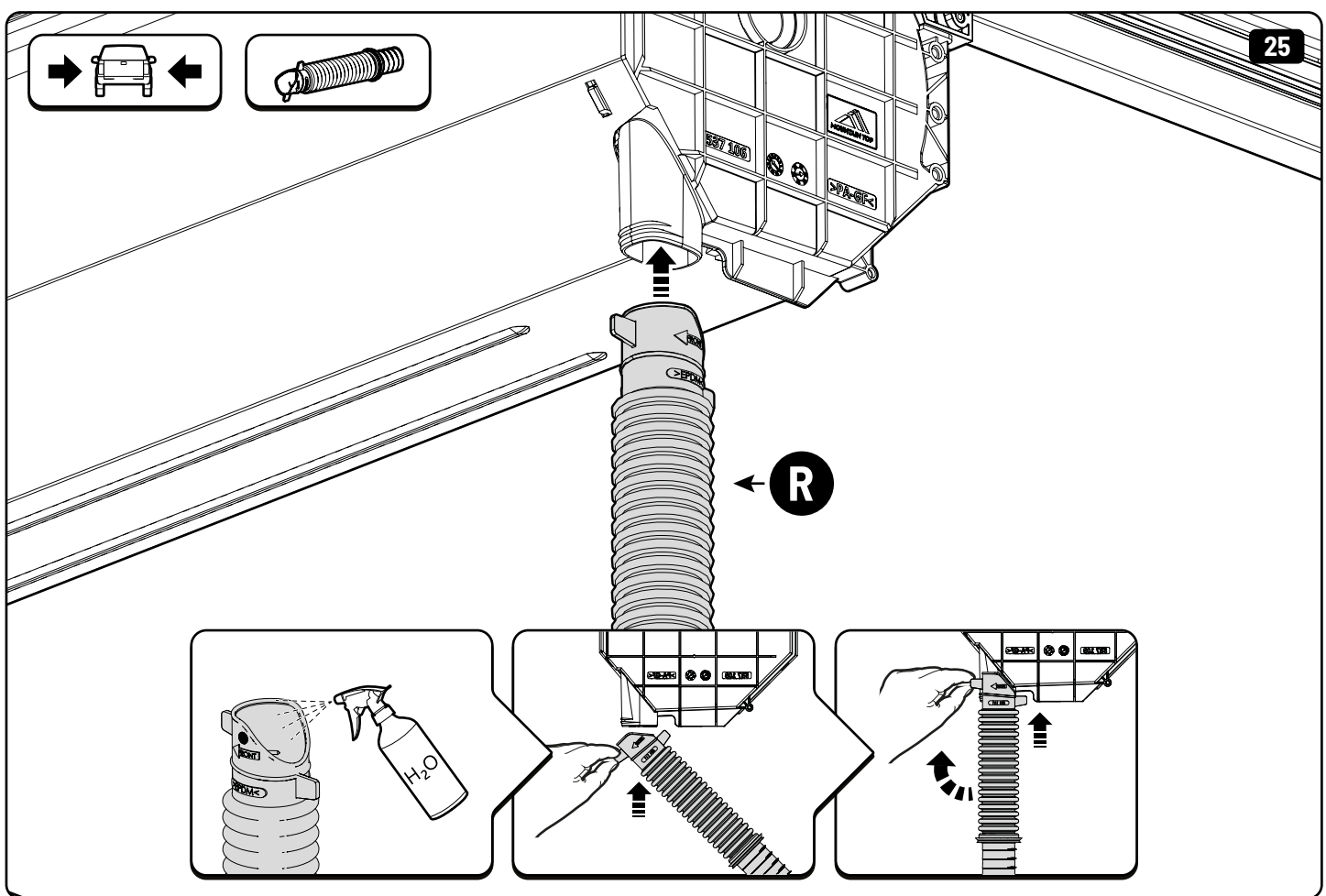
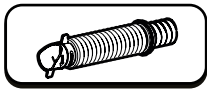
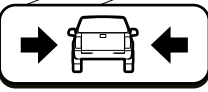
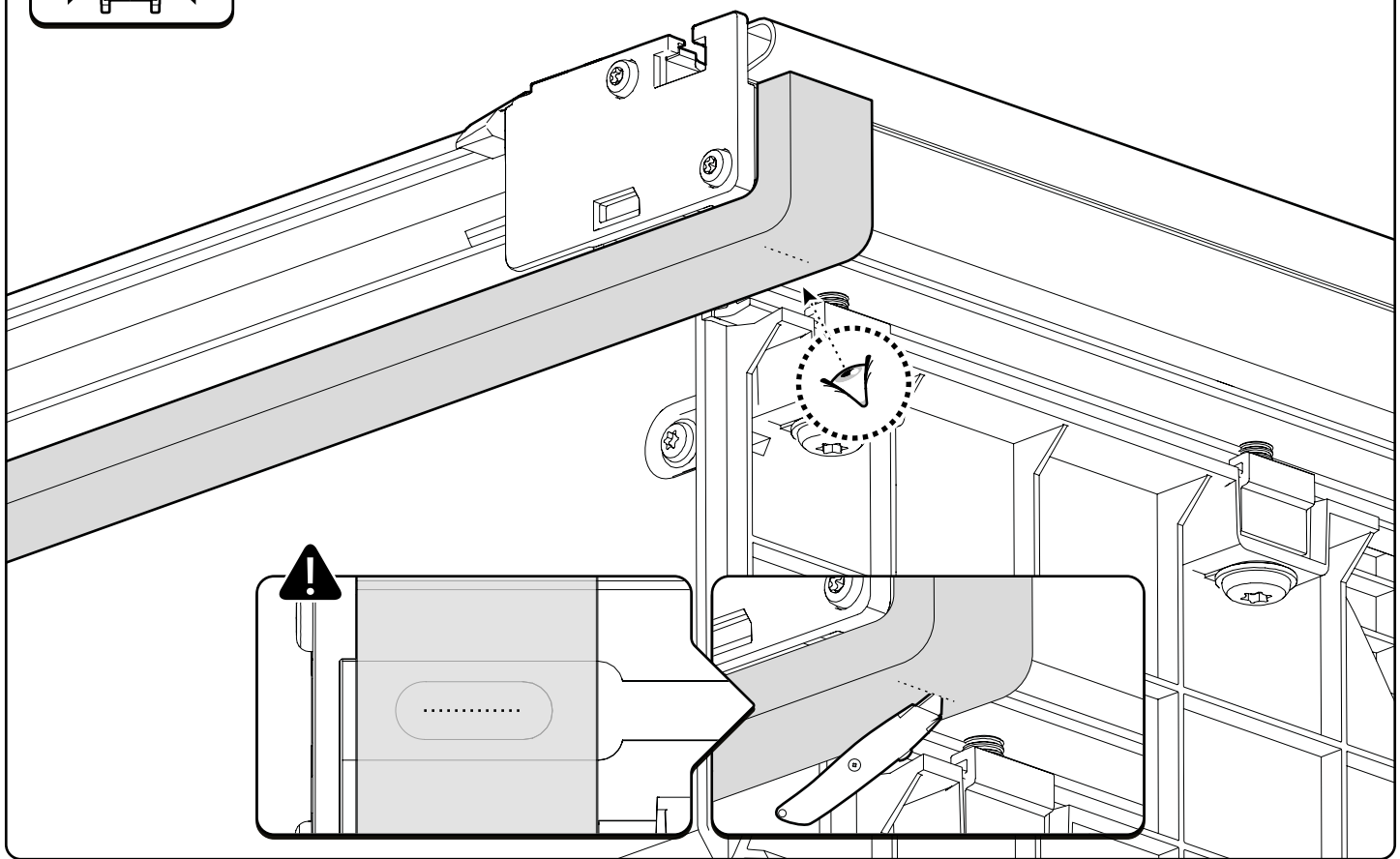
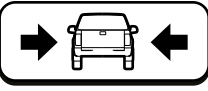


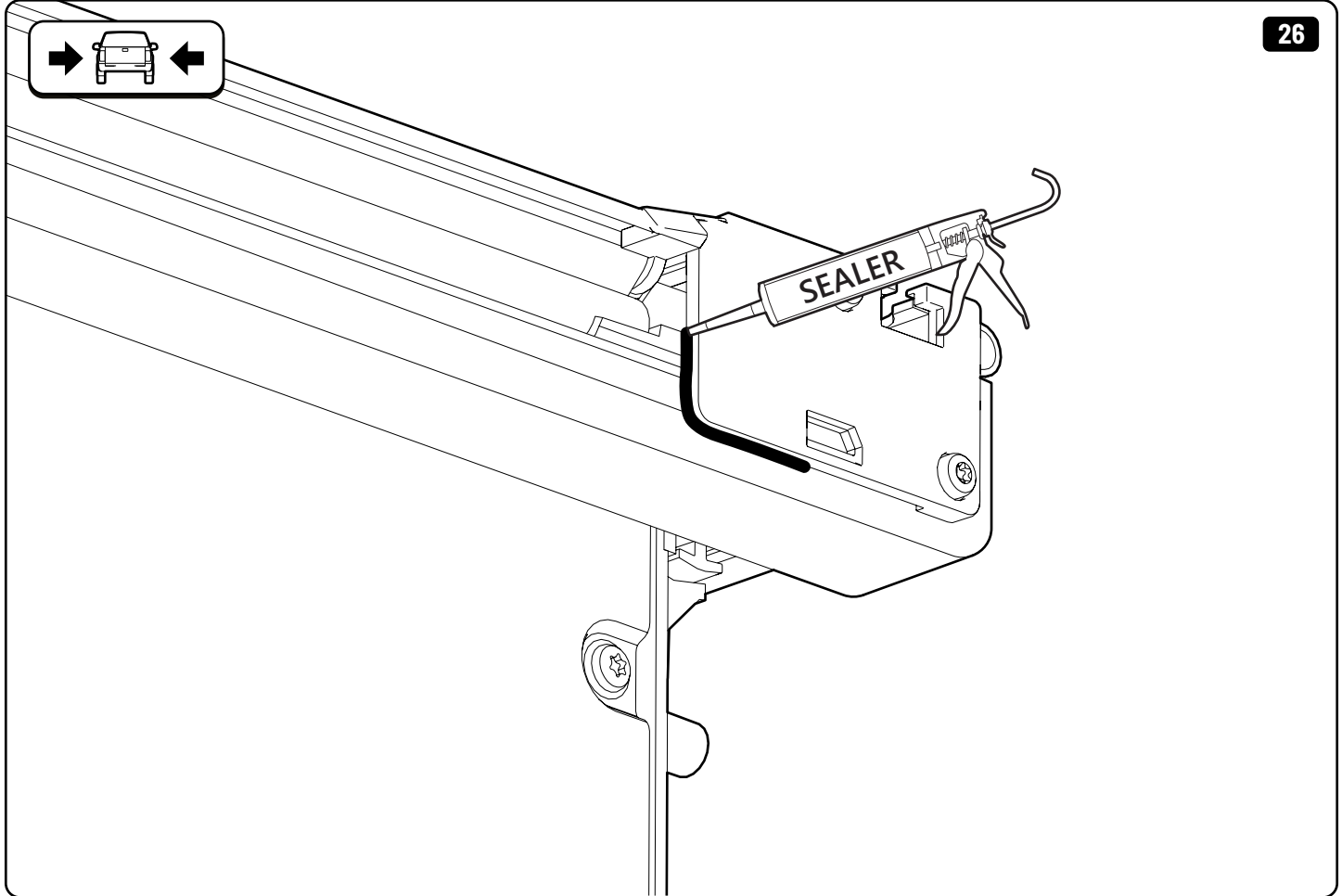


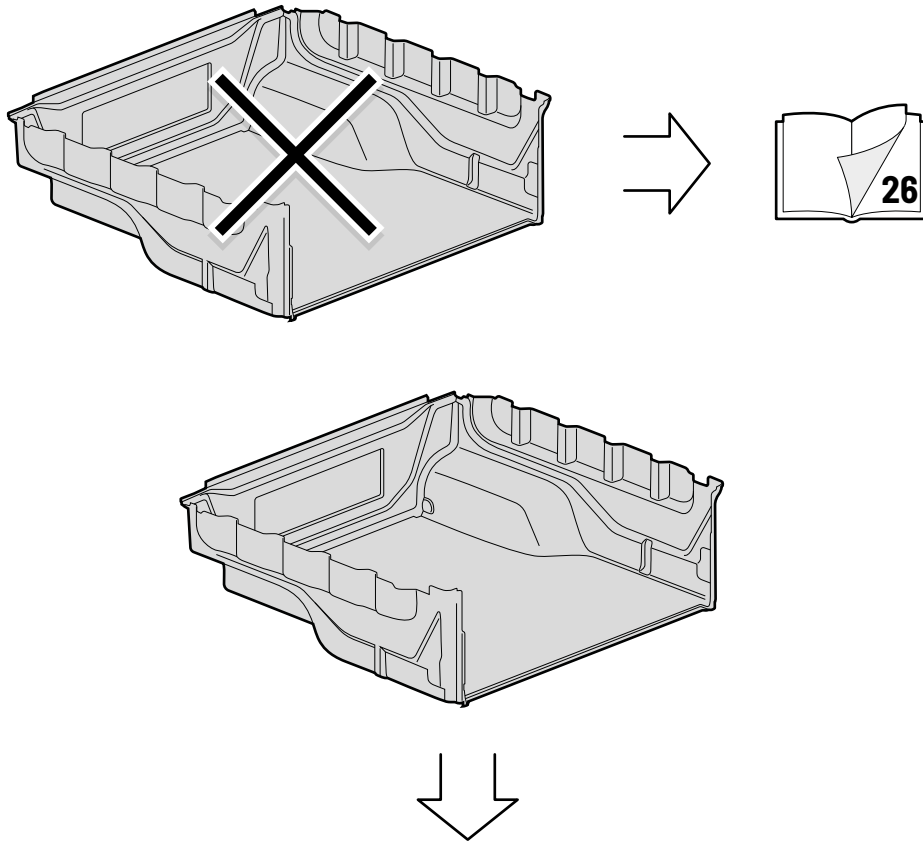
→  ← T20 2,4Nm





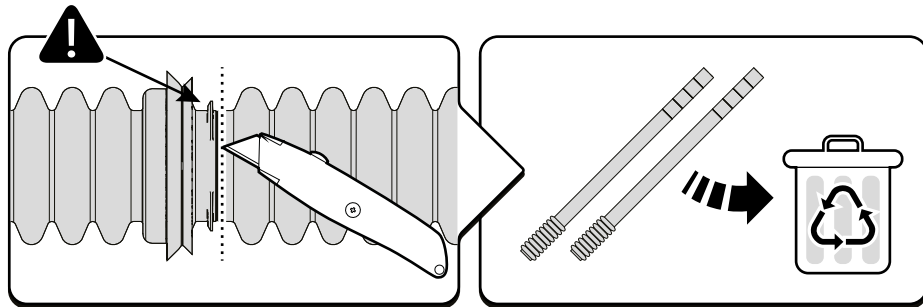
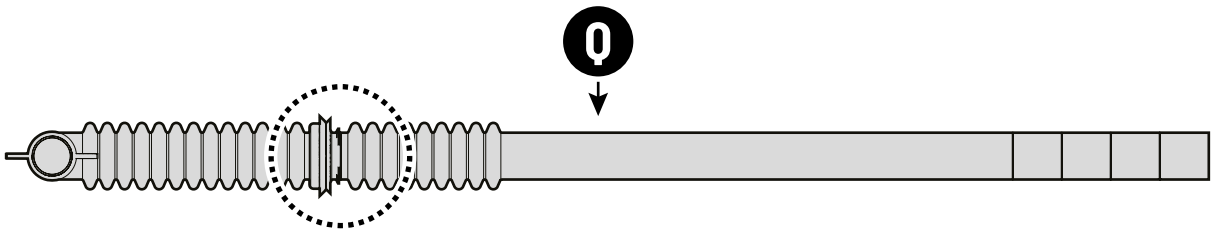




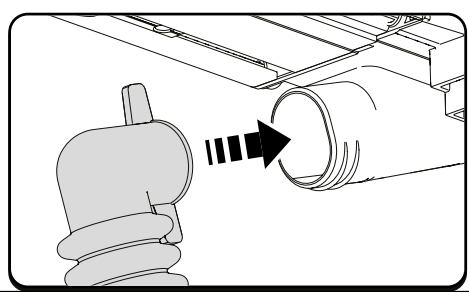
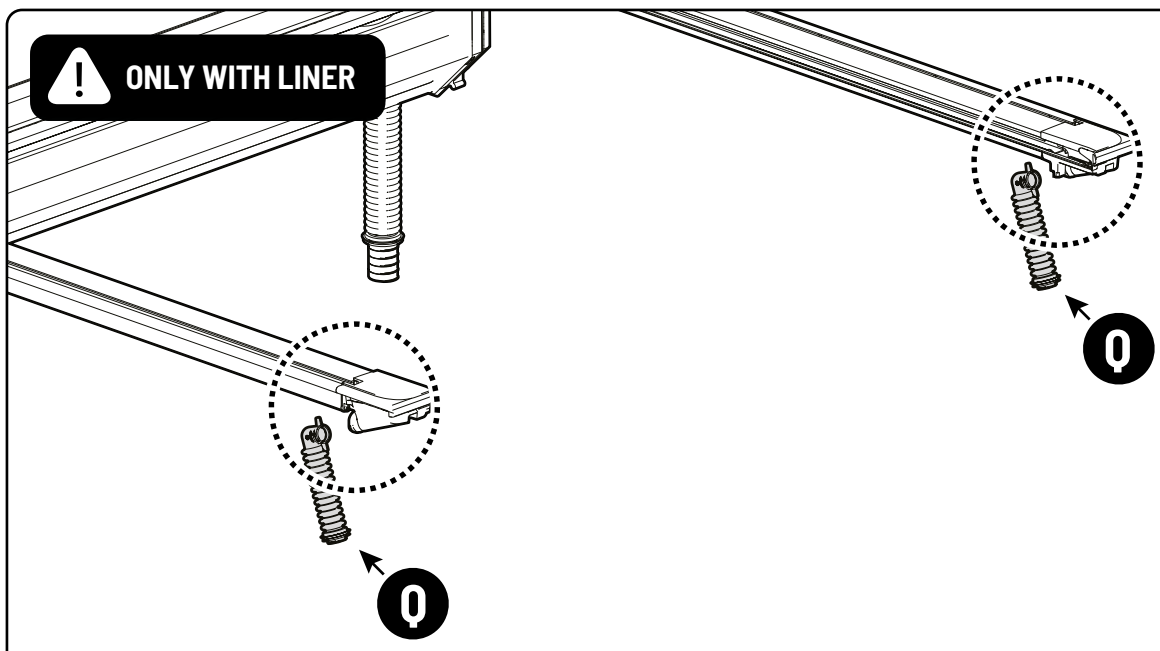


! ONLY WITH LINER

27



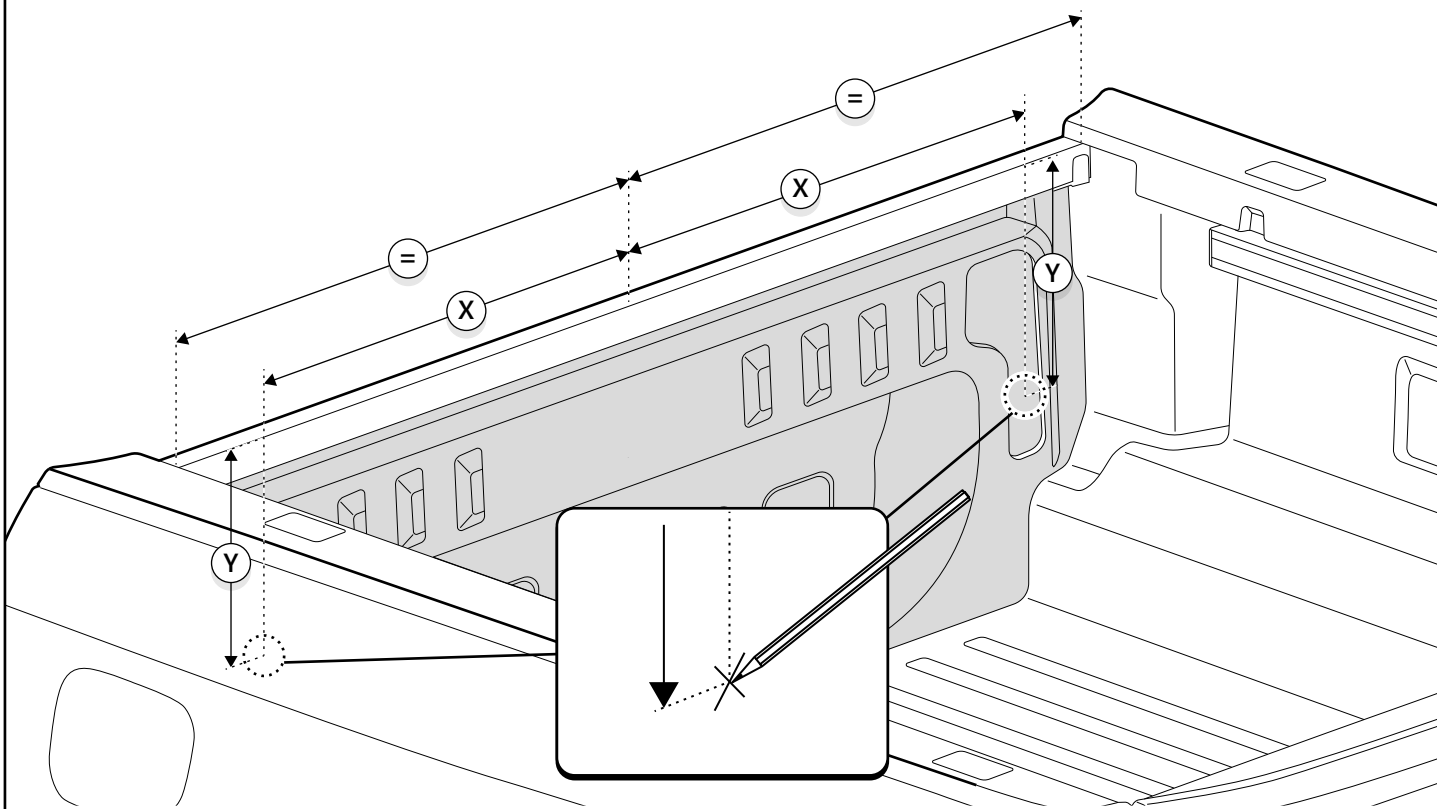
! ONLY WITH LINER



! ONLY WITH LINER

! EUROPEAN MODEL

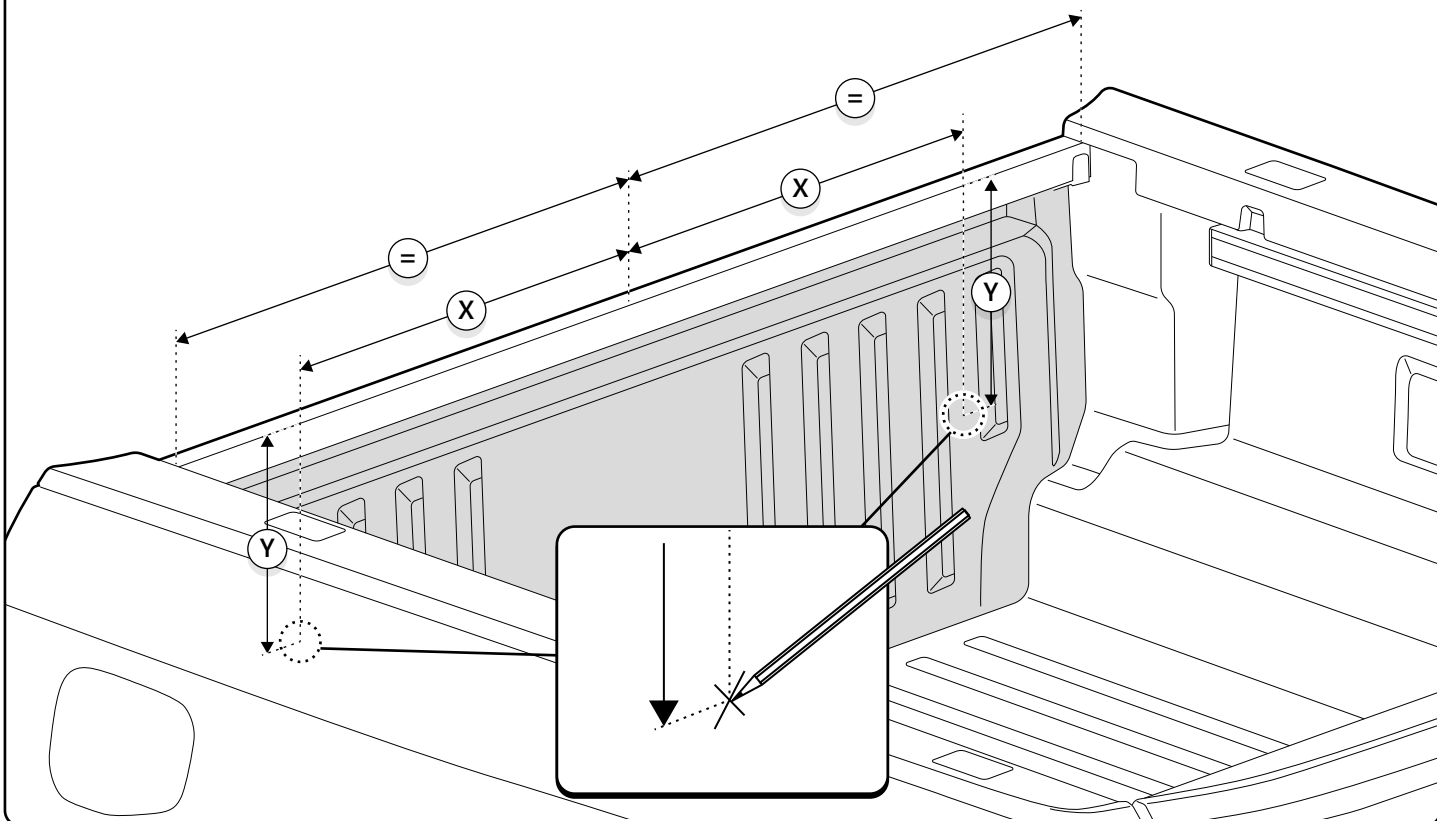
X: 650 mm Y: 290 mm



! ONLY WITH LINER

! OTHER MODELS

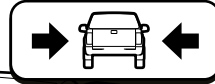
X: 560 mm Y: 330 mm



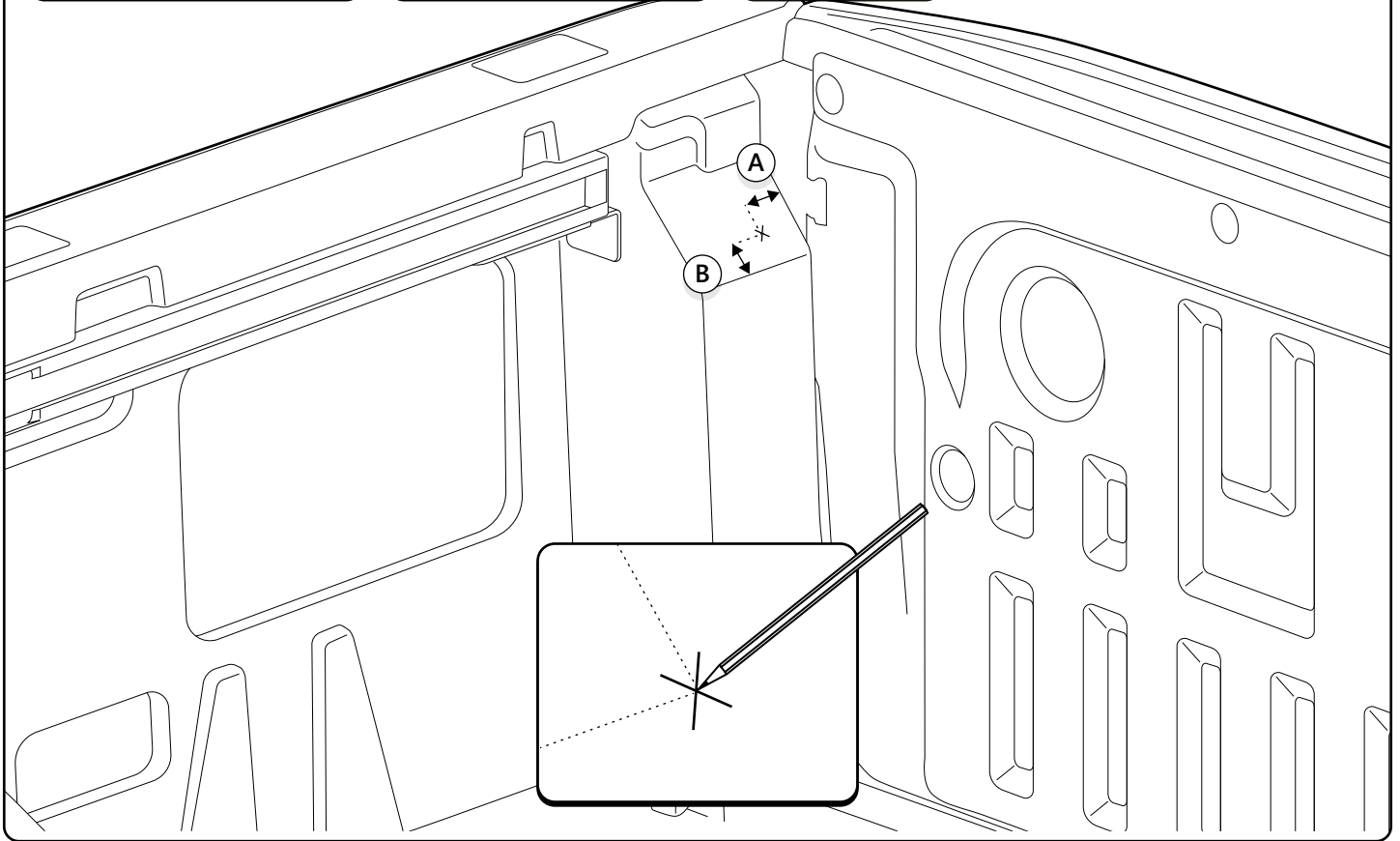


ONLY WITH LINER

A: 30 mm B: 20 mm



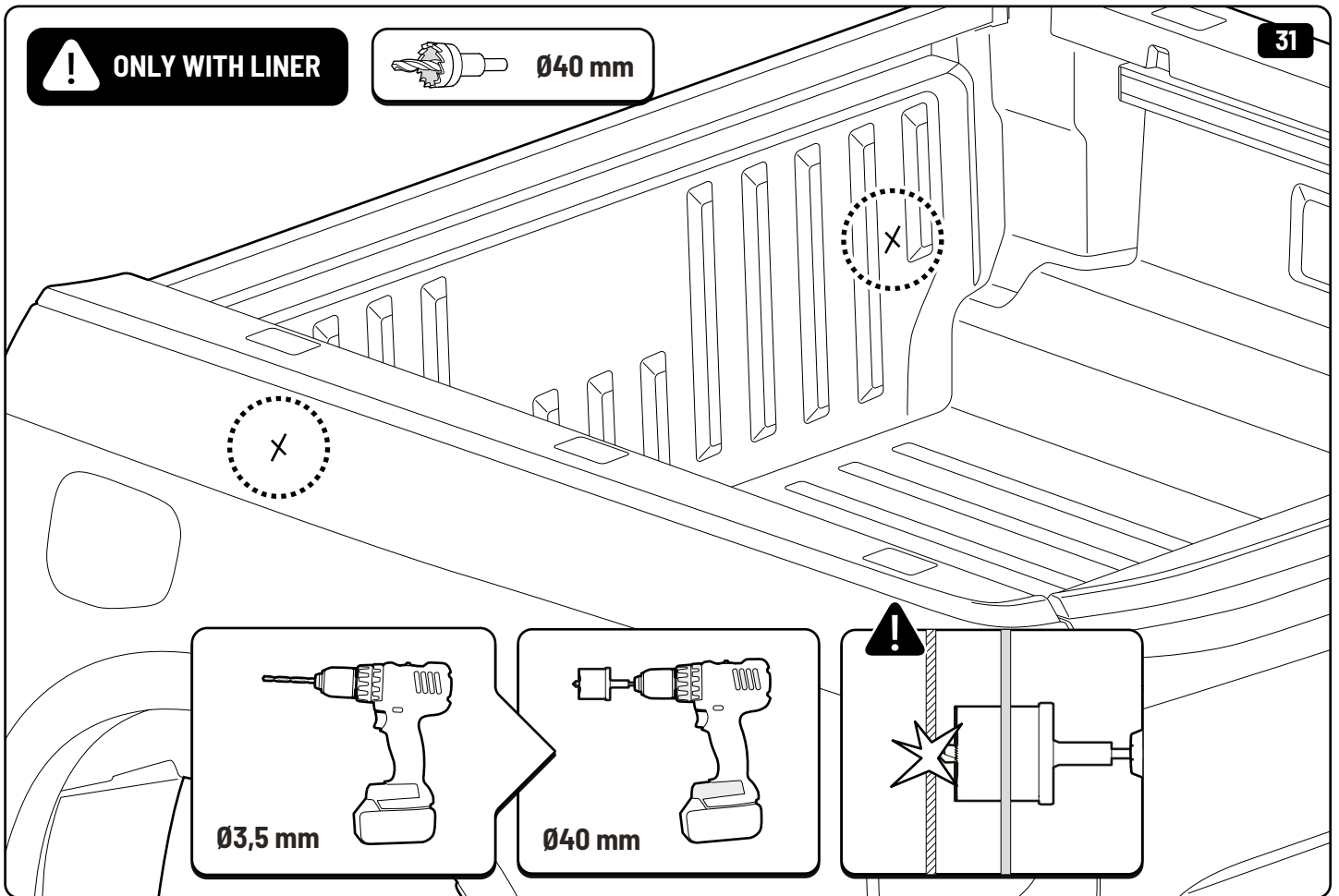
30



ONLY WITH LINER

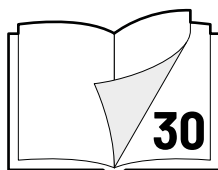
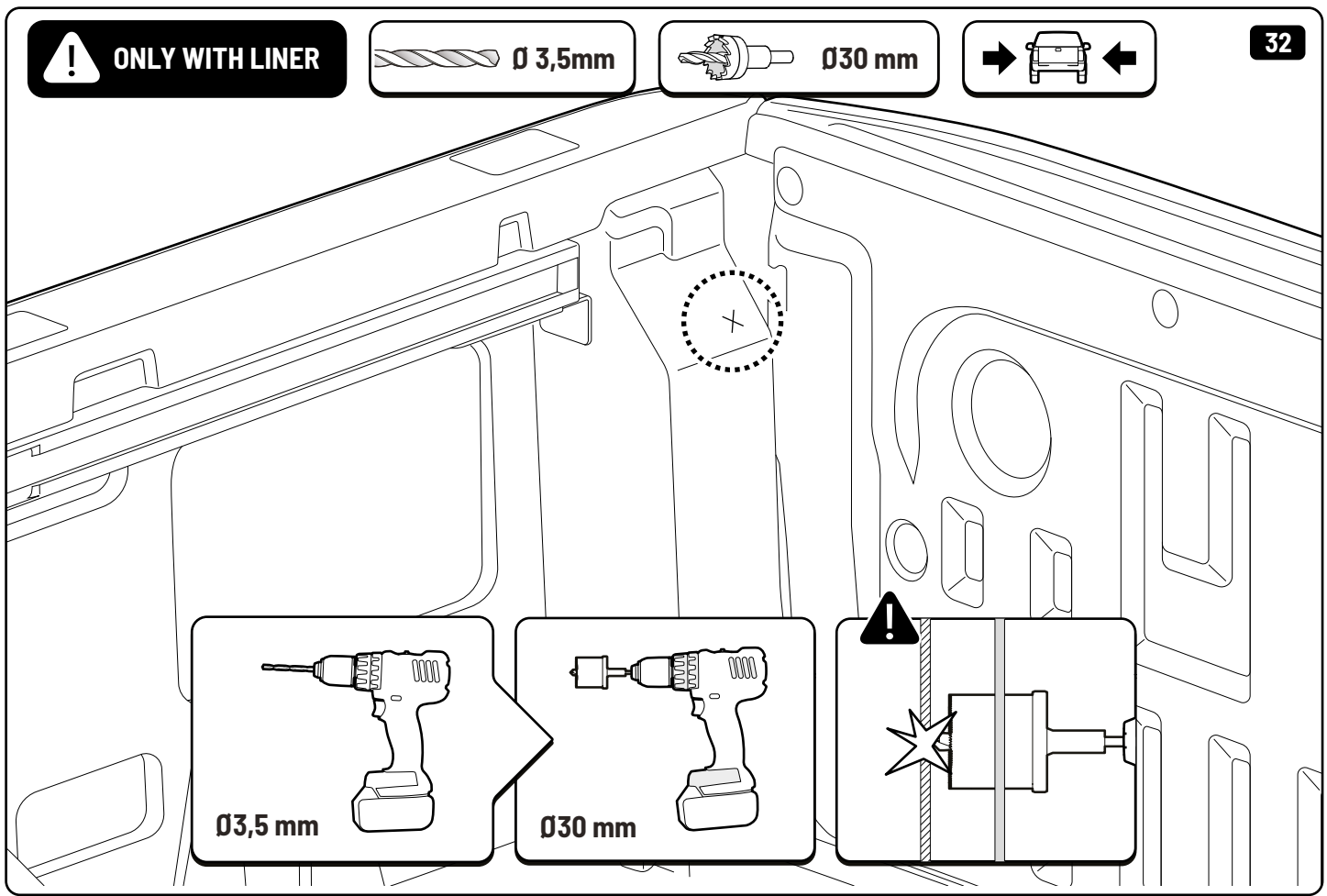
 **Ø40 mm**

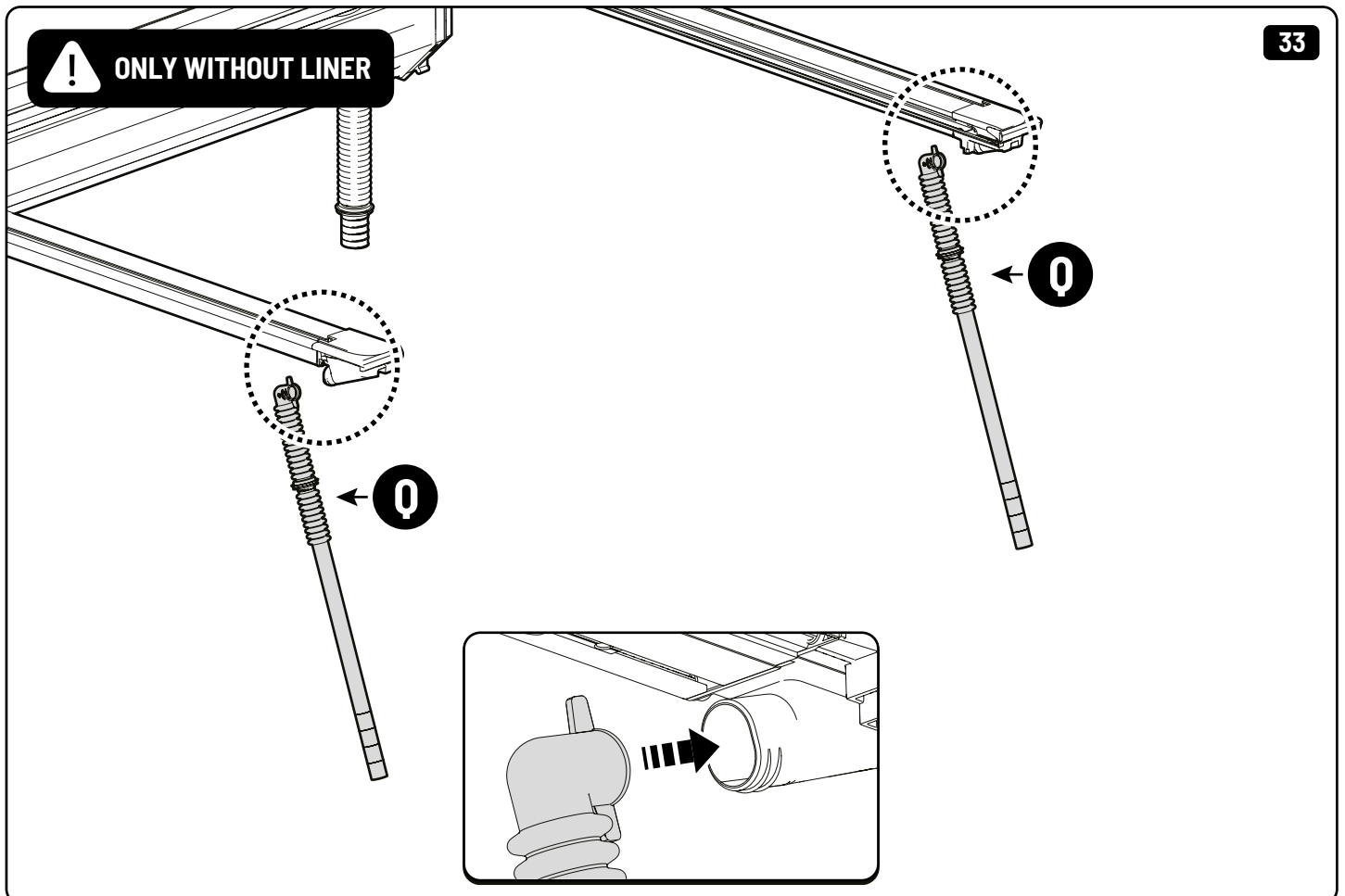
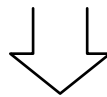
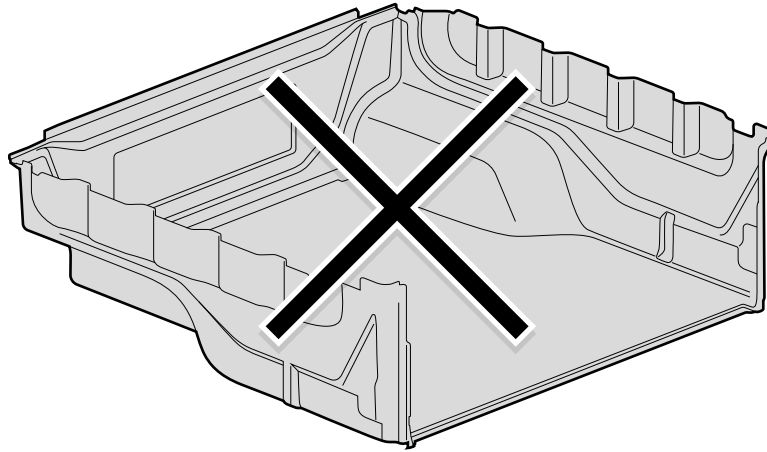
31





ONLY WITH LINER

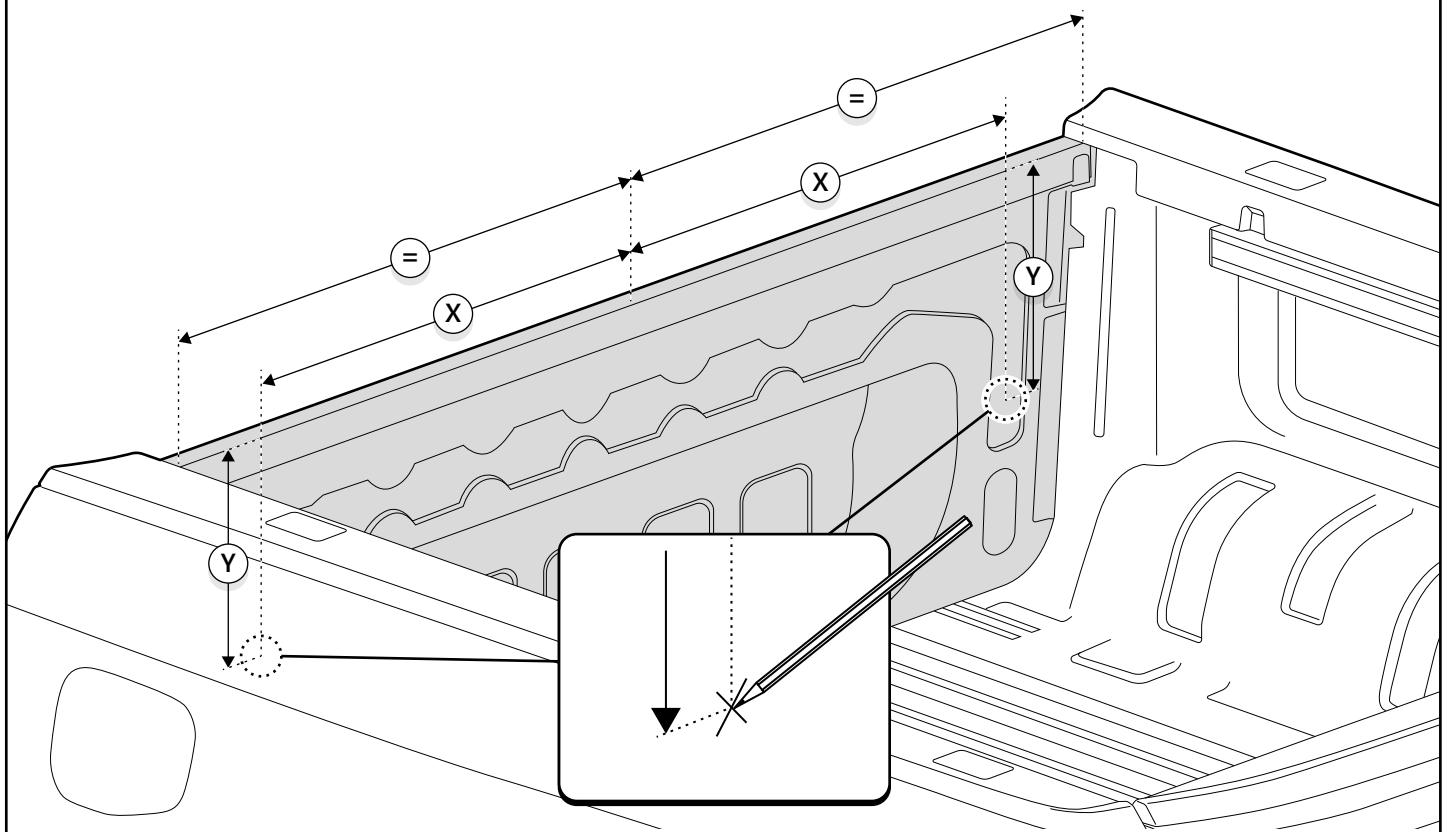




! ONLY WITHOUT LINER

! EUROPEAN MODEL

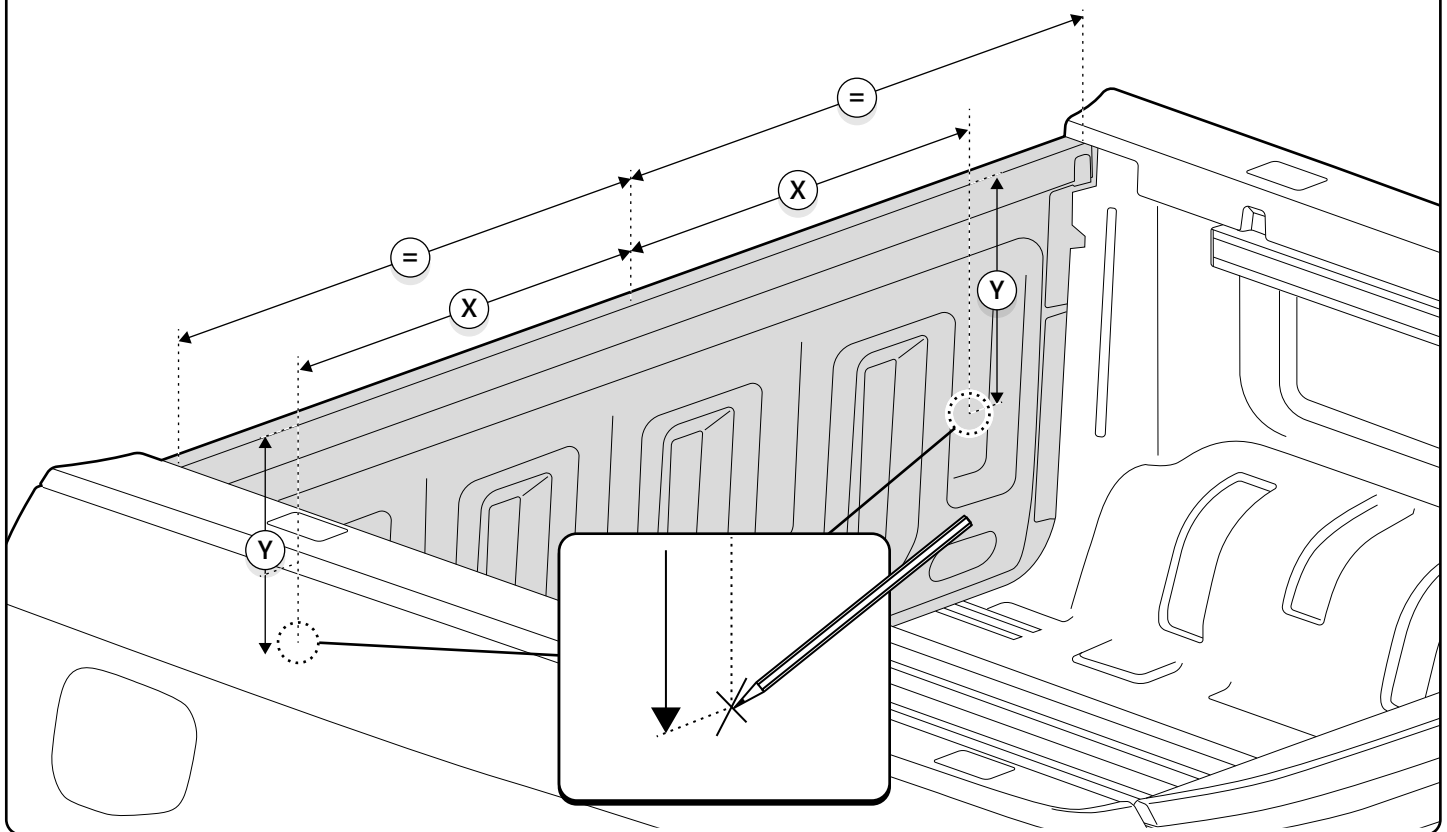
X: 650 mm Y: 290 mm



! ONLY WITHOUT LINER

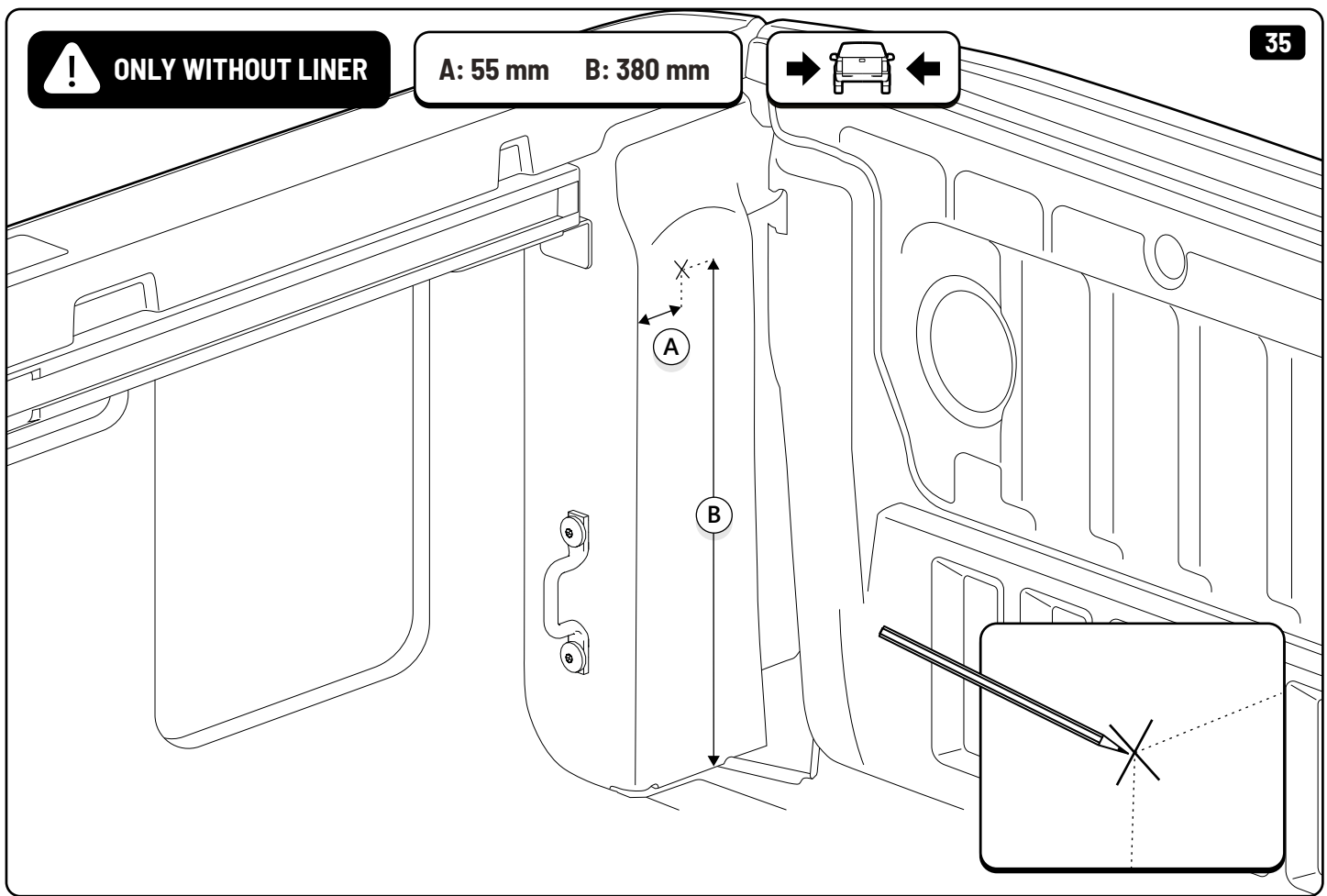
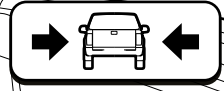
! OTHER MODELS

X: 580 mm Y: 290 mm



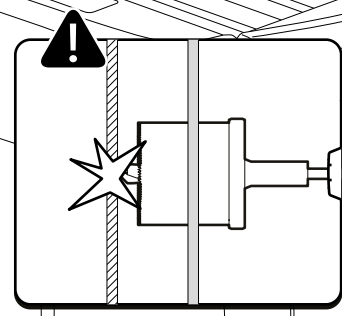
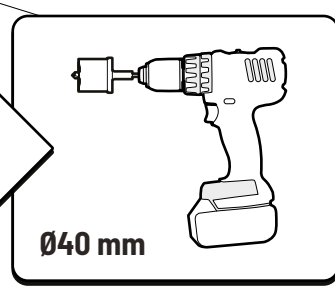
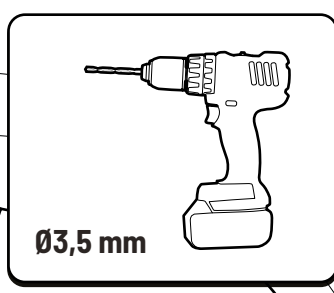
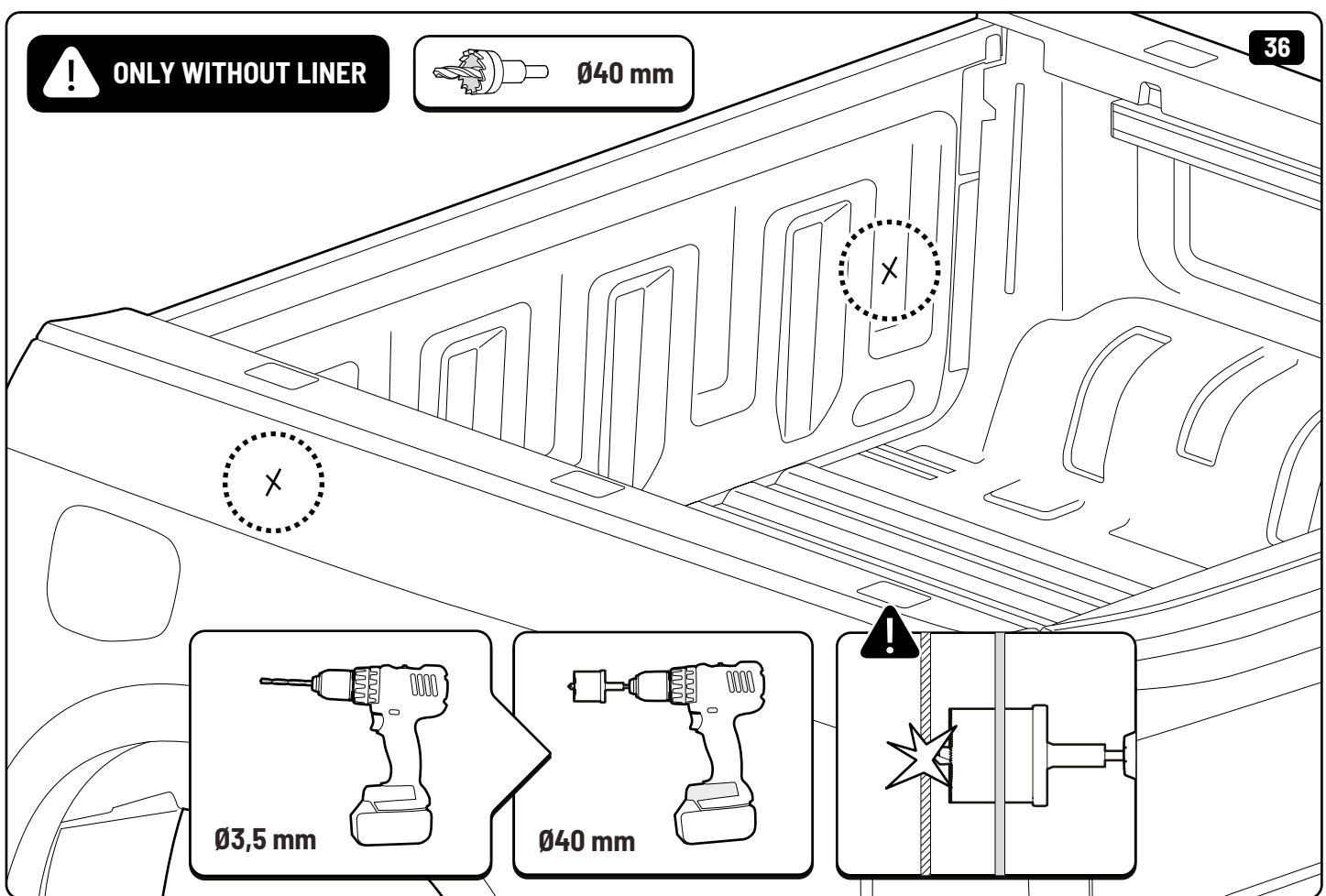
! ONLY WITHOUT LINER

A: 55 mm B: 380 mm



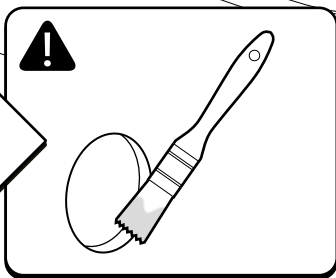
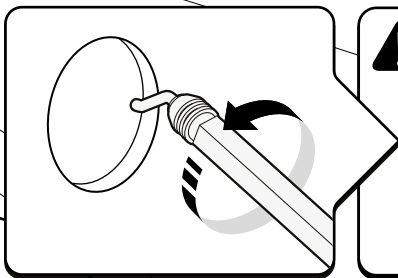
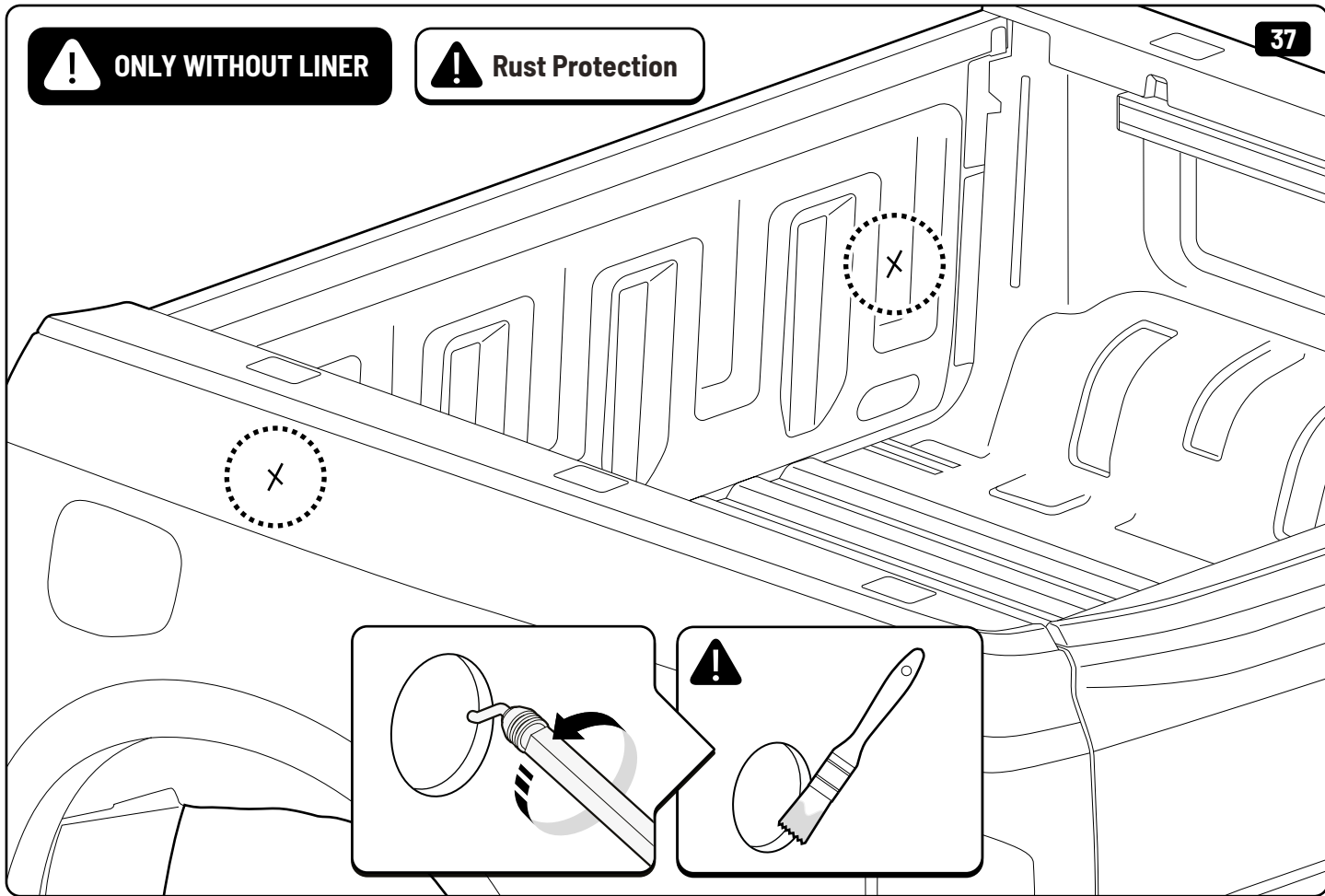
! ONLY WITHOUT LINER

Ø40 mm



! ONLY WITHOUT LINER

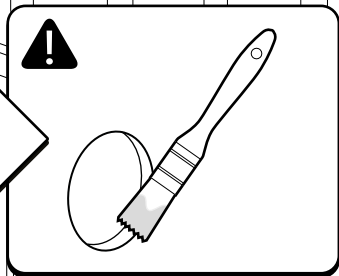
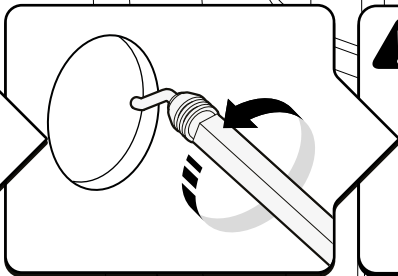
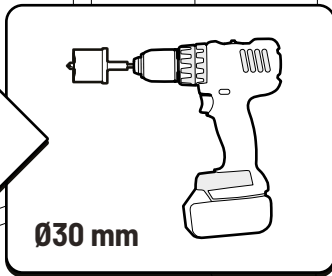
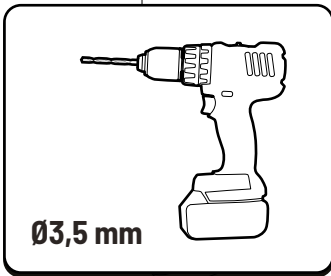
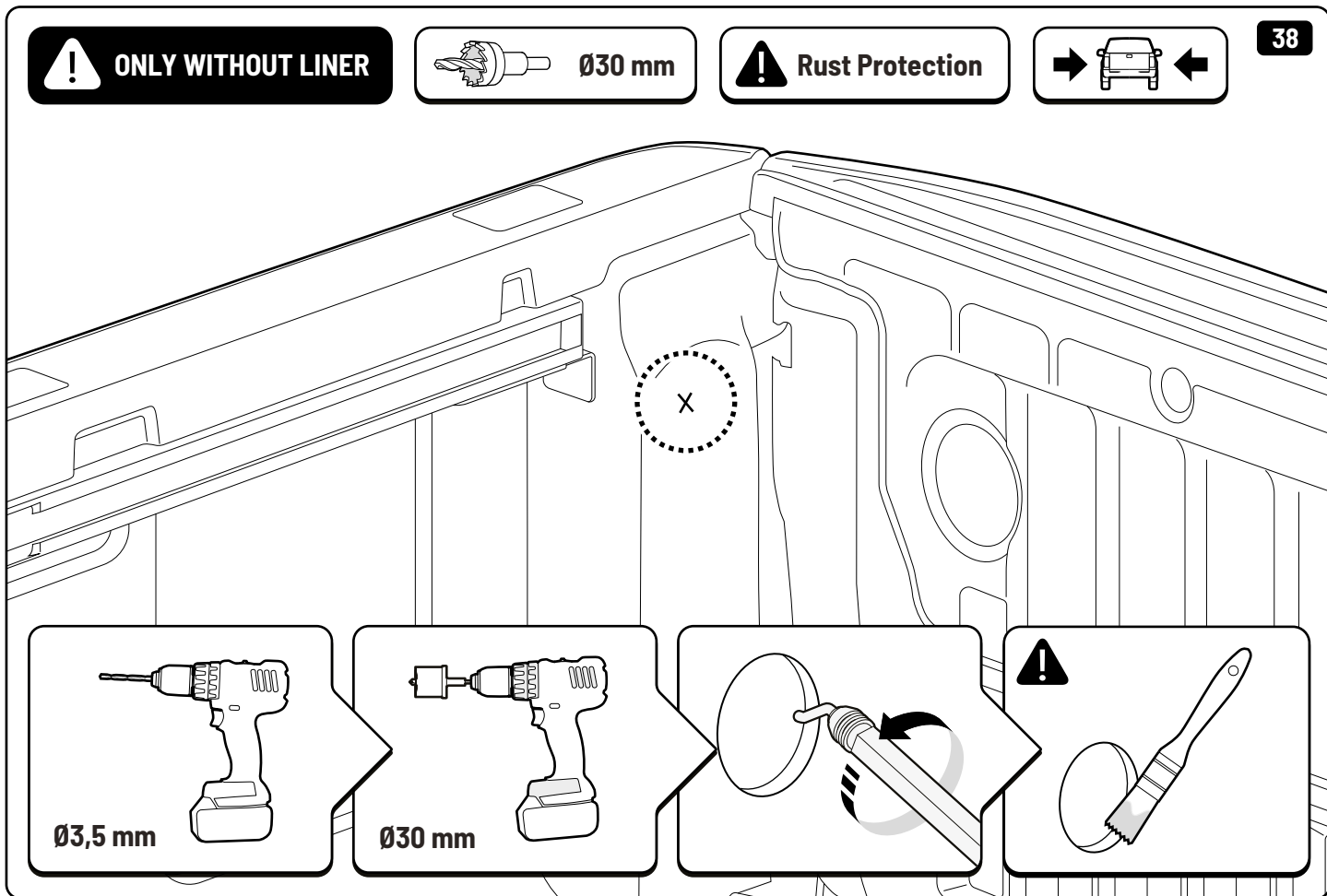
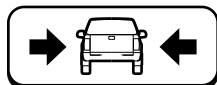
! Rust Protection

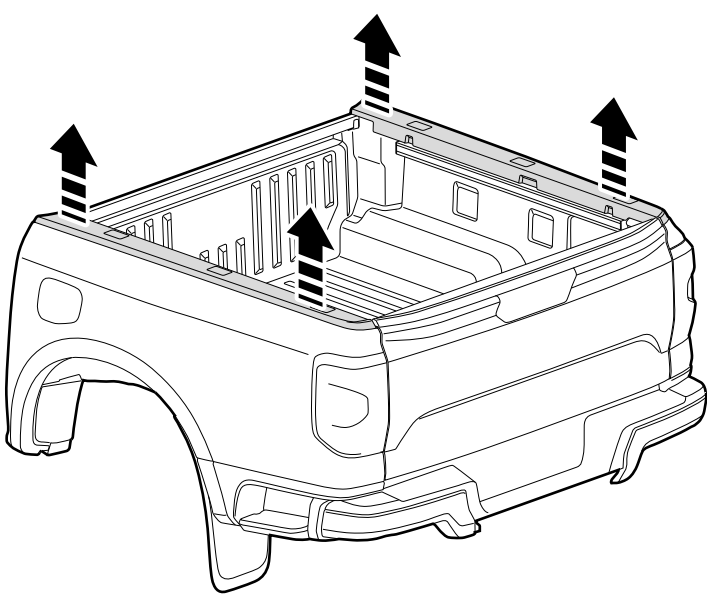


! ONLY WITHOUT LINER

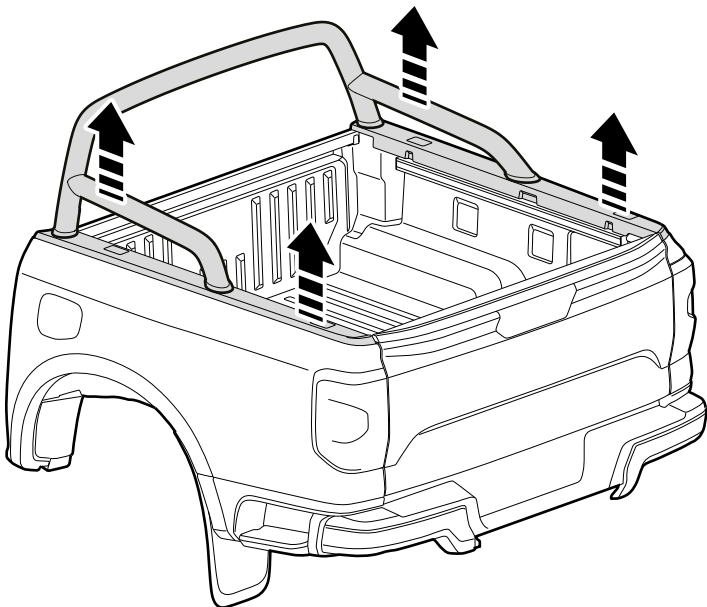
 Ø30 mm

! Rust Protection

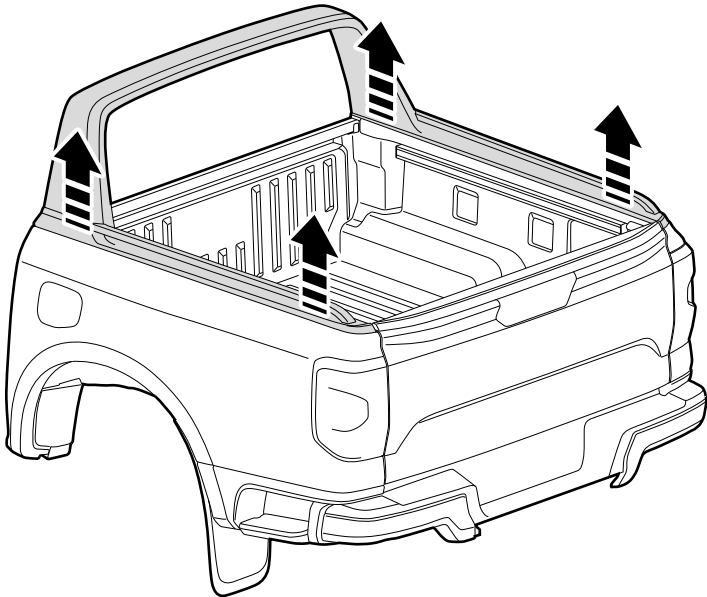




Ford XLT / Raptor



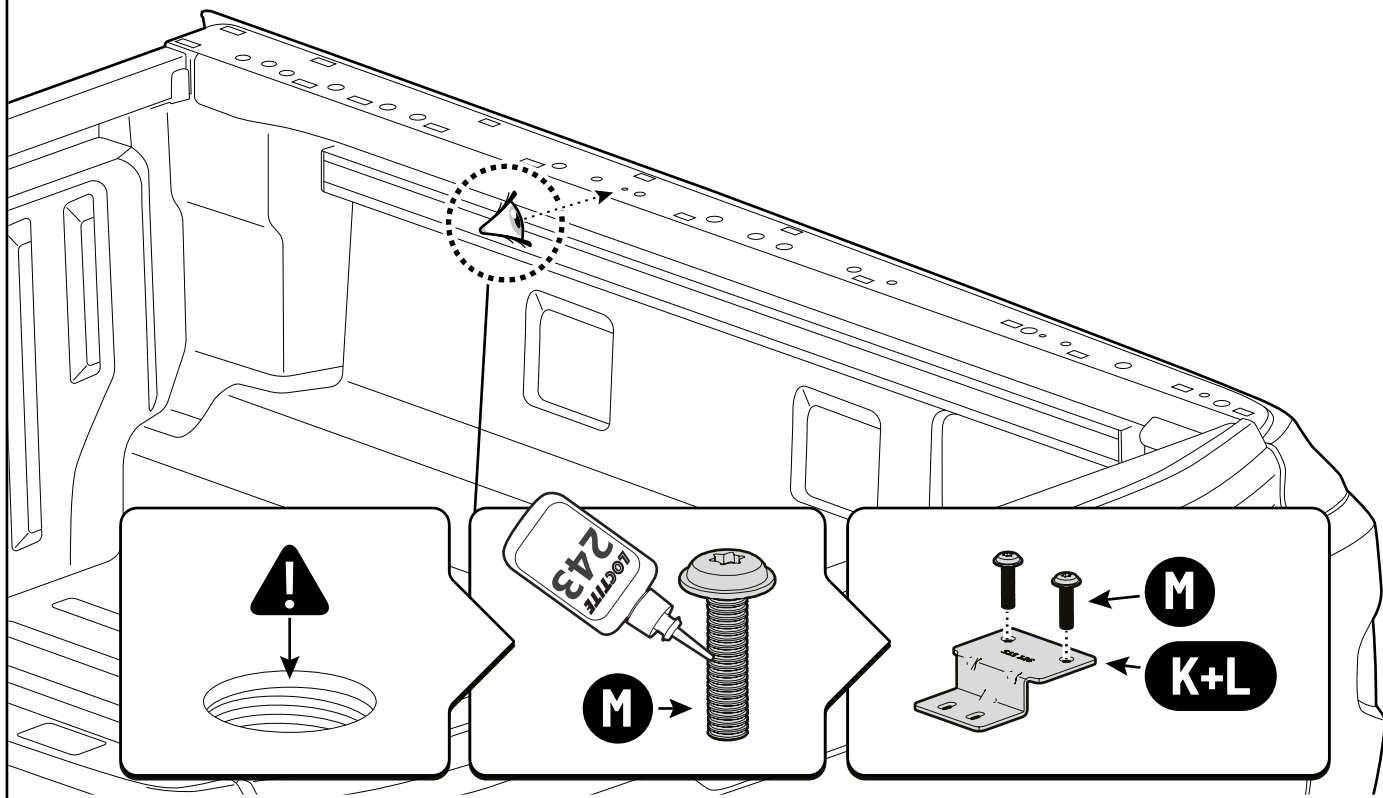
Ford XLT / Raptor



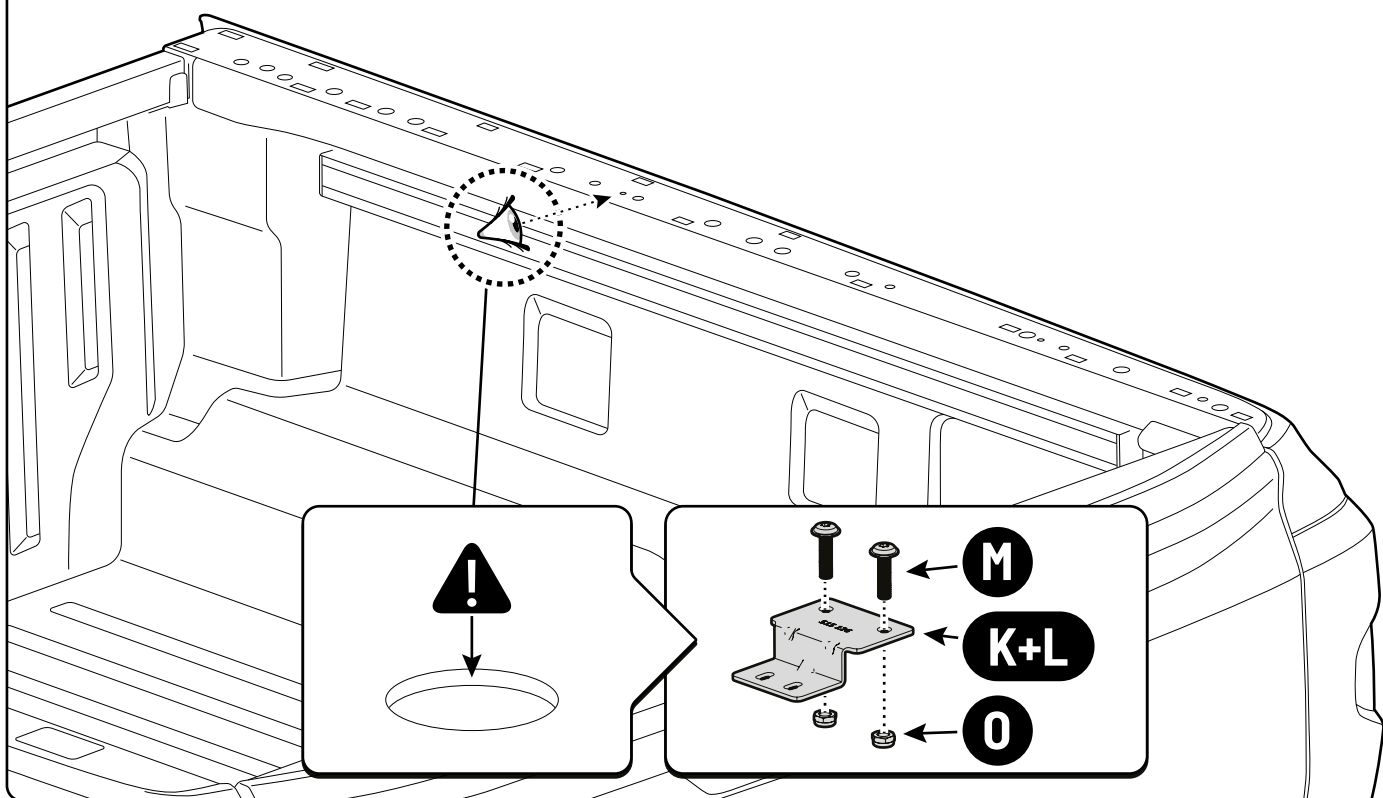
Ford Wildtrak

! ONLY FOR THREADED HOLES

 **LOCTITE 243**

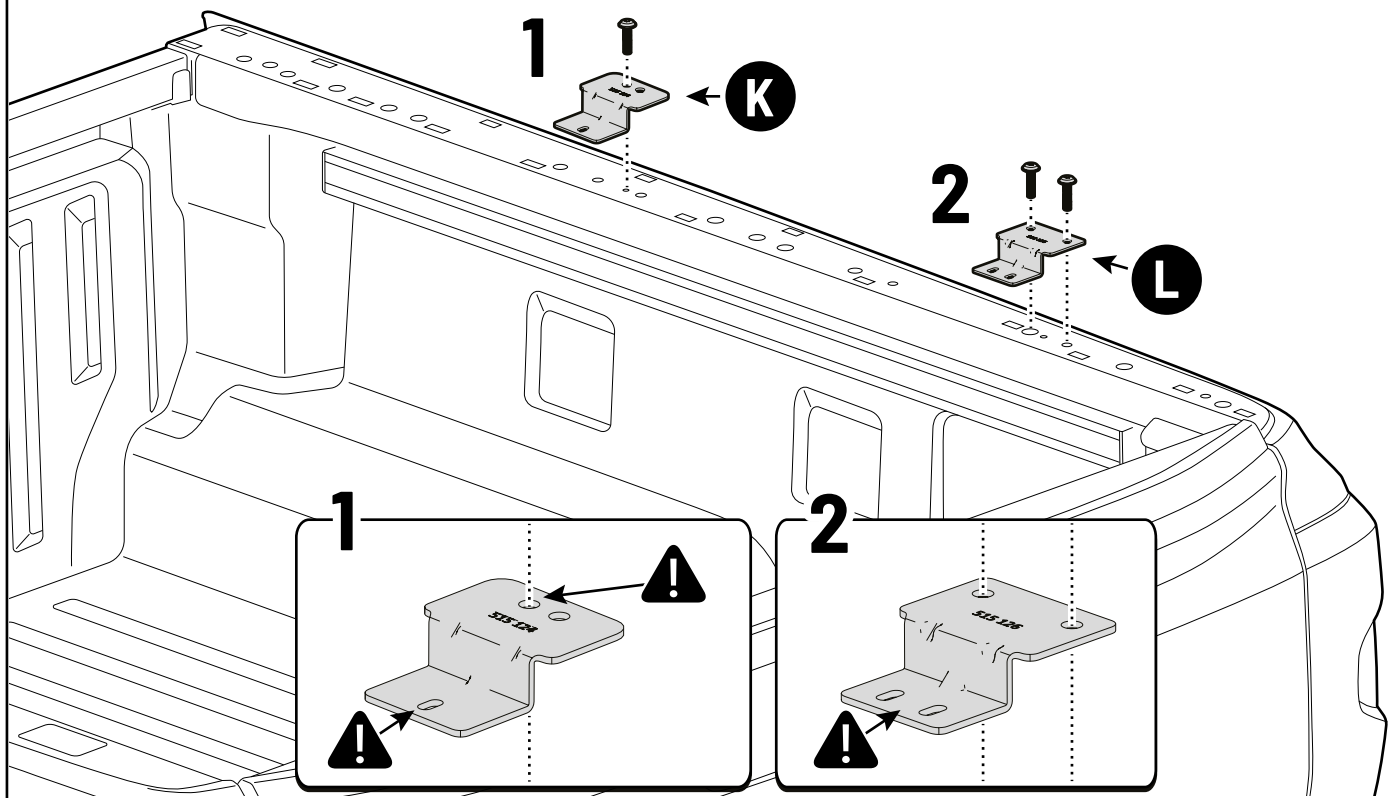
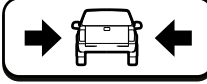


! ONLY FOR NON-THREADED HOLES



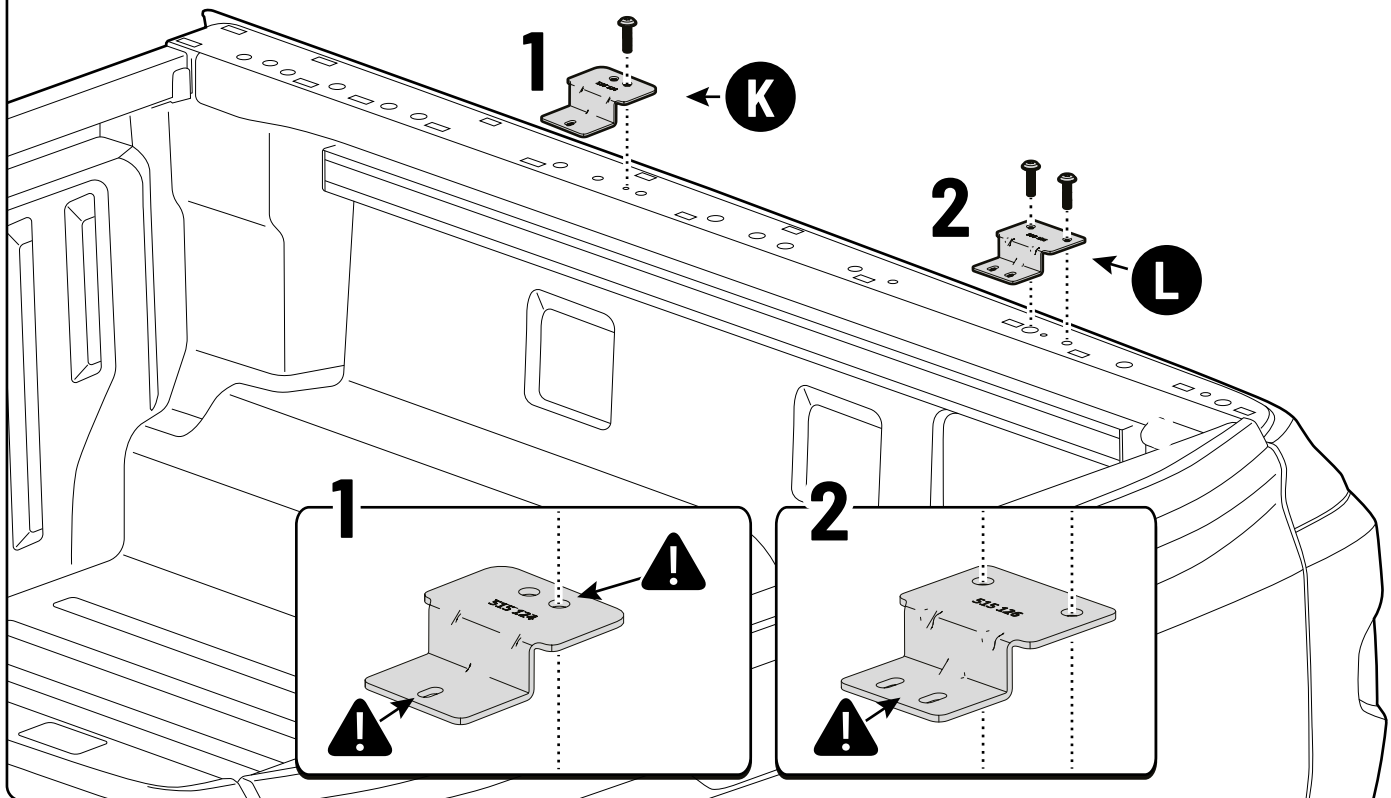
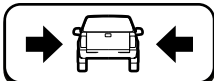
! FORD XLT / RAPTOR - DOUBLE CAB

T40 13 mm 25 Nm



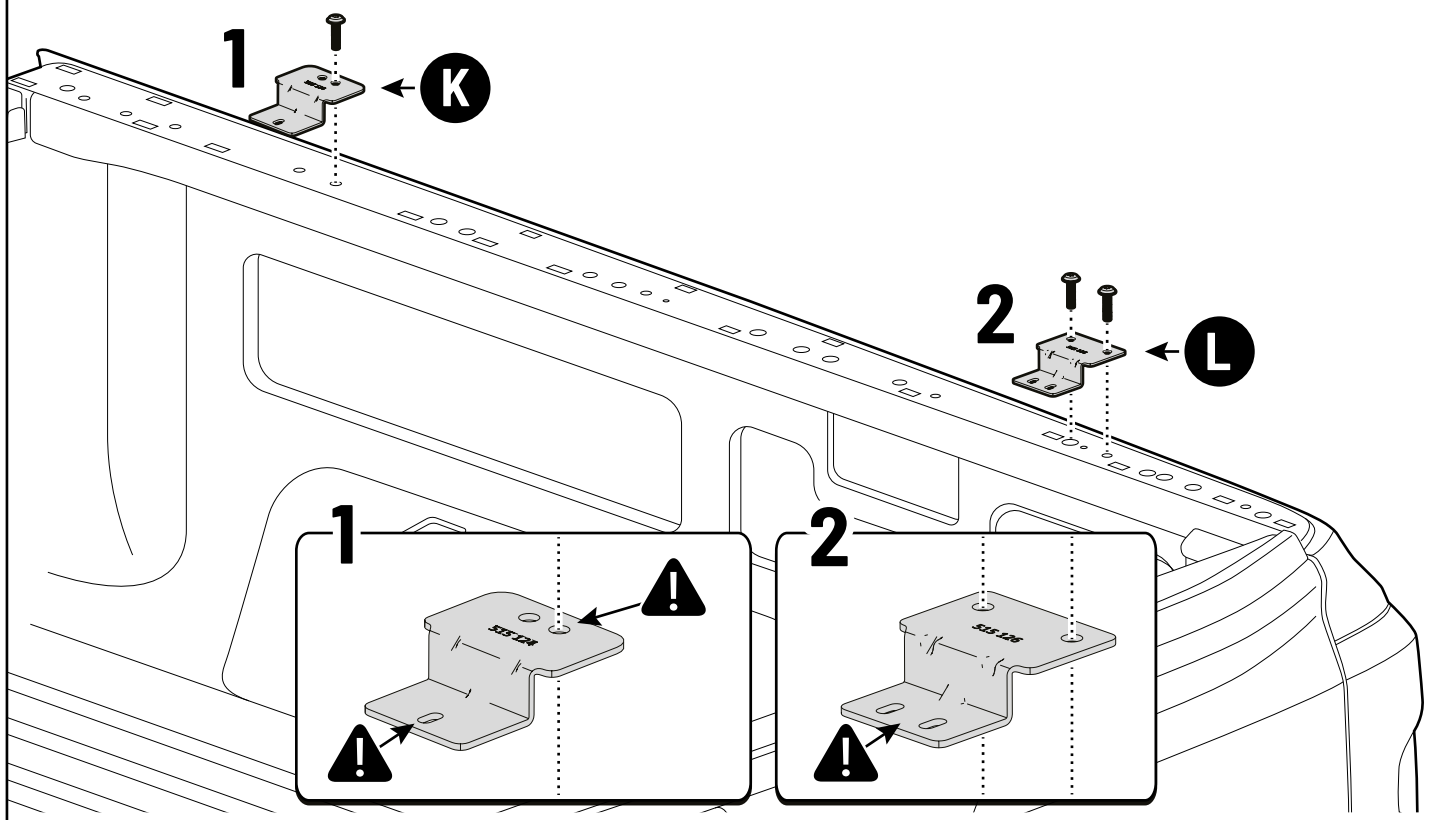
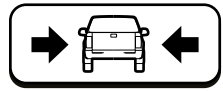
! FORD WILDTRAK - DOUBLE CAB

T40 13 mm 25 Nm



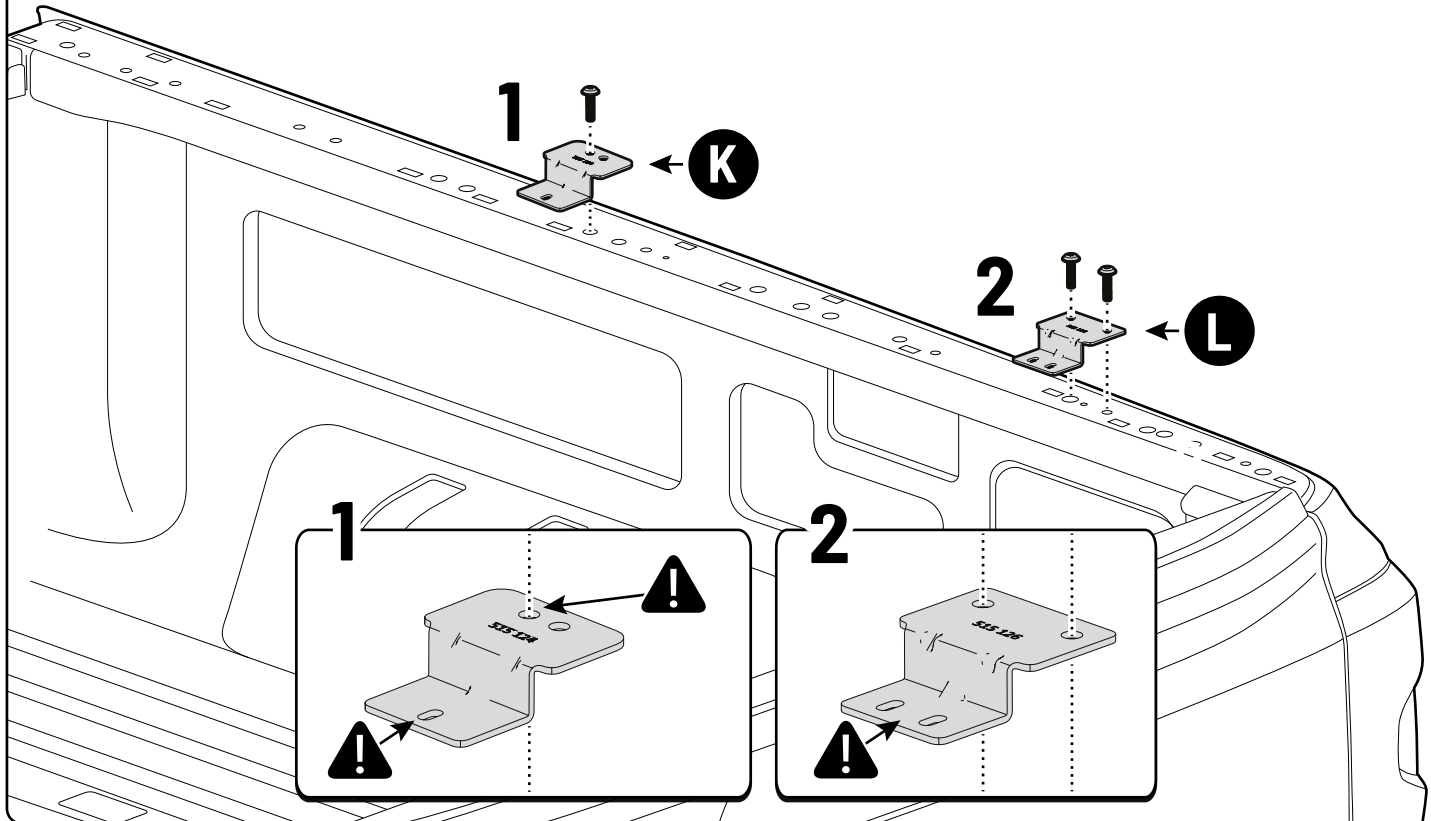
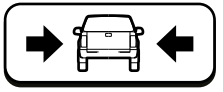
! WITH SPORTS BAR ACCESSORY - RAP CAB

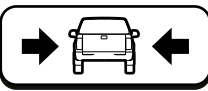
T40 13 mm 25 Nm



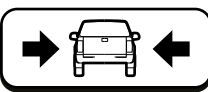
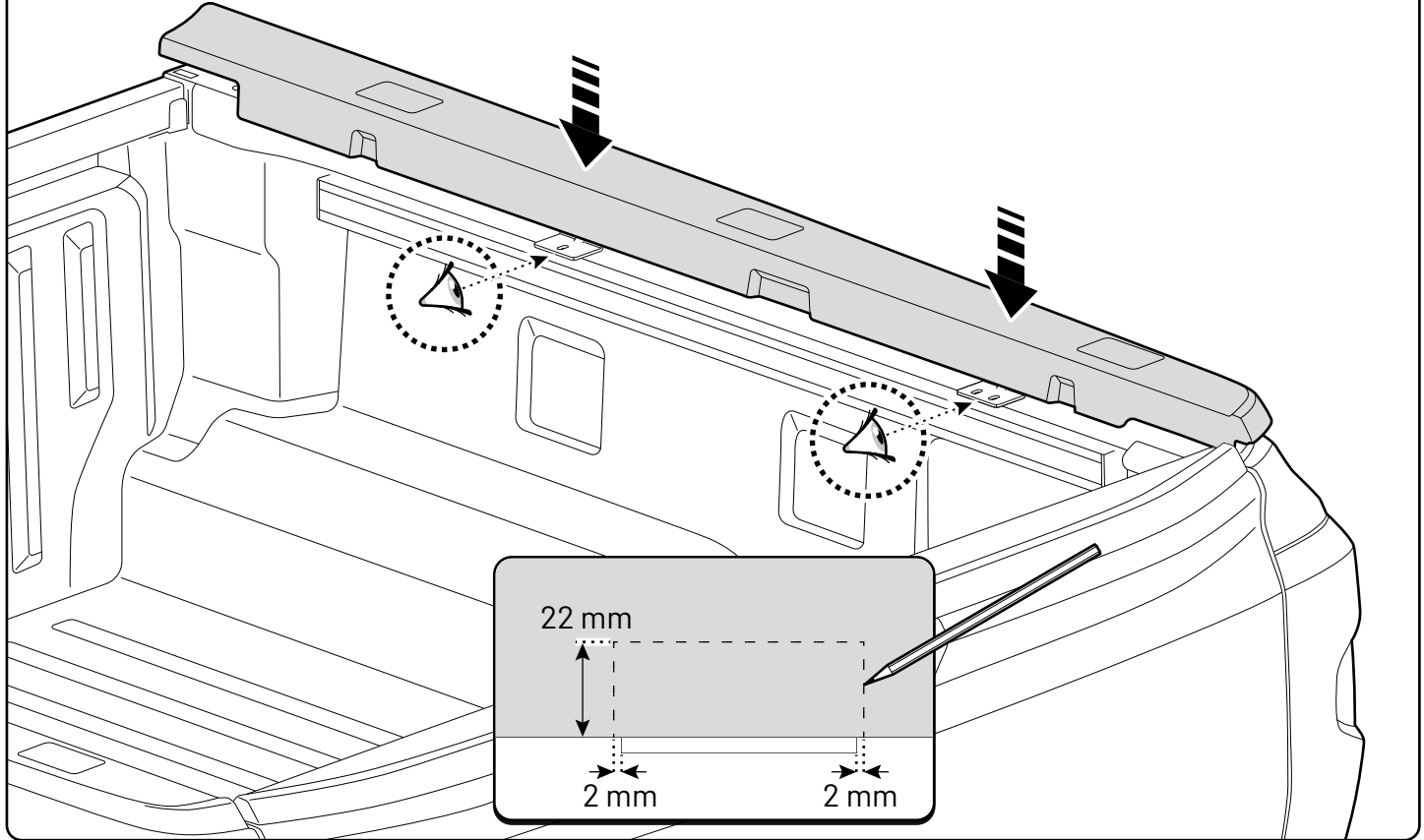
! WITHOUT SPORTS BAR ACCESSORY - RAP CAB

T40 13 mm 25 Nm

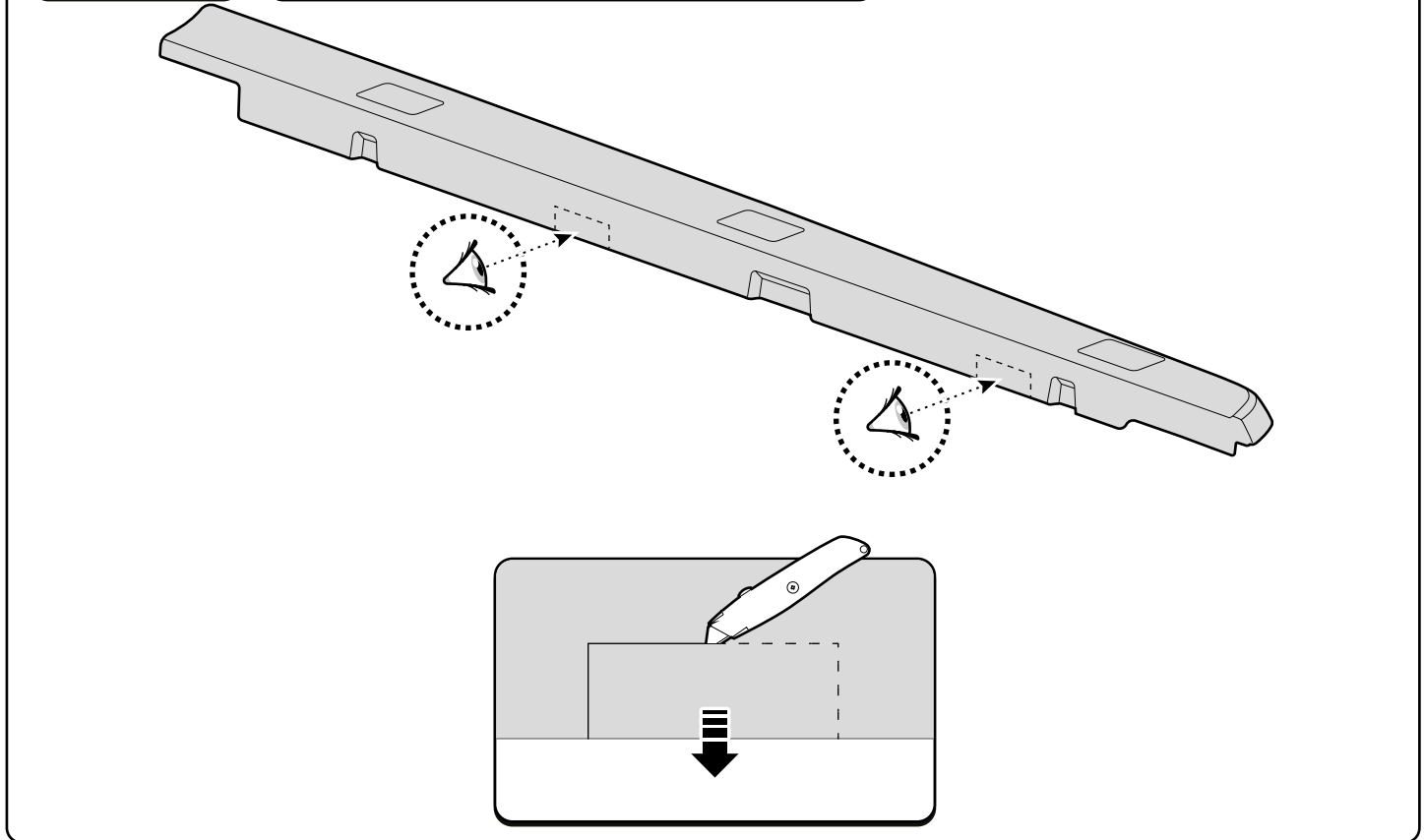


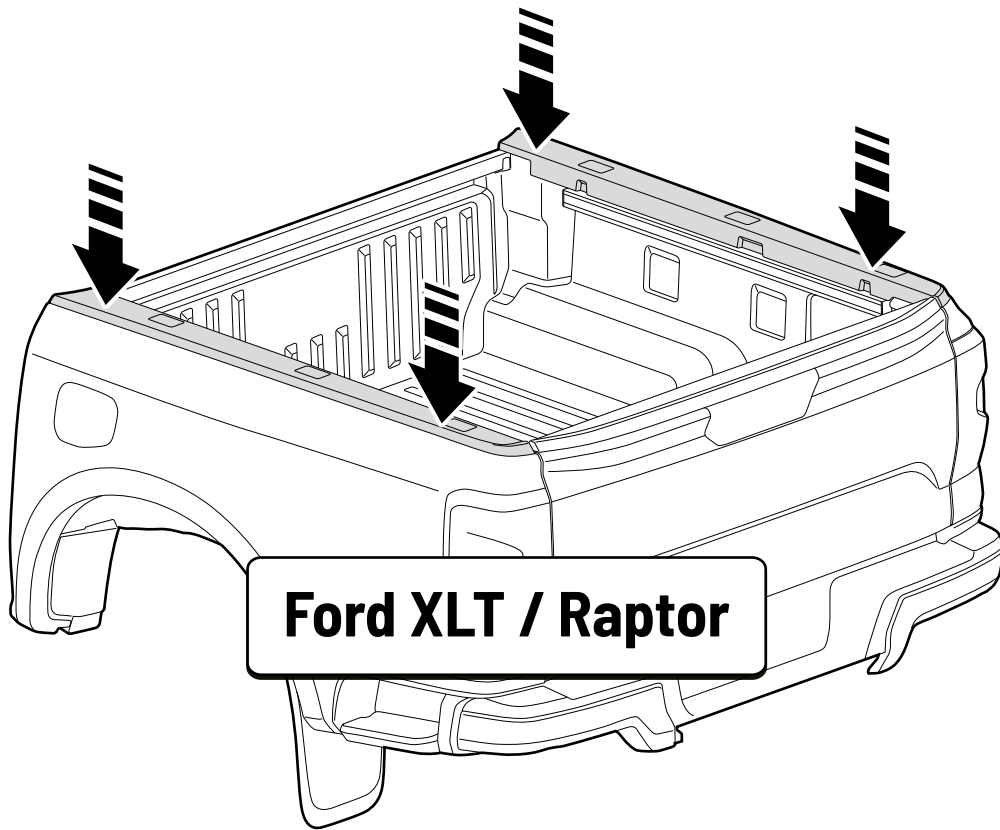


! ONLY FOR FORD RANGER XLT / RAPTOR

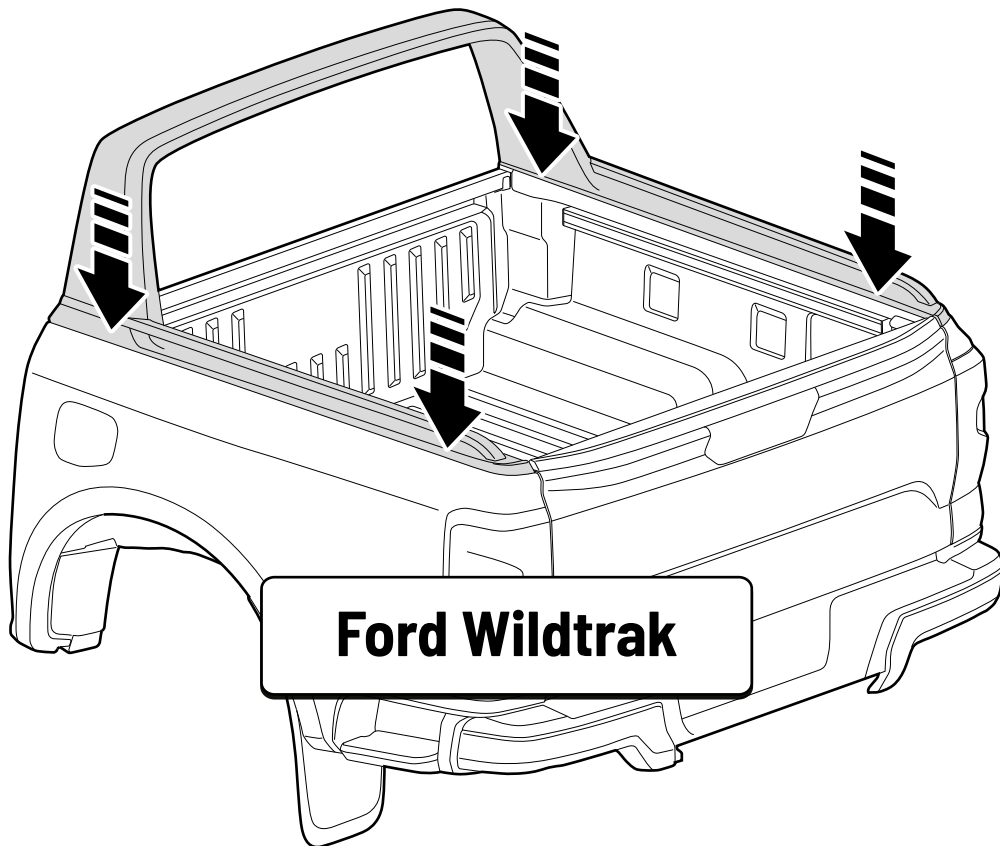


! ONLY FOR FORD RANGER XLT / RAPTOR

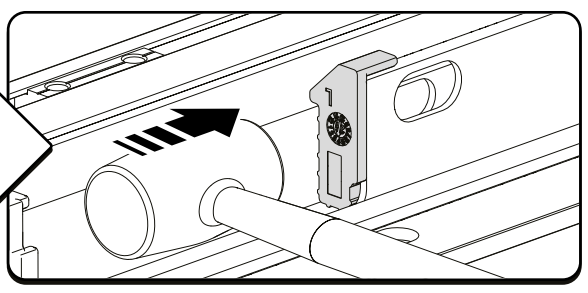
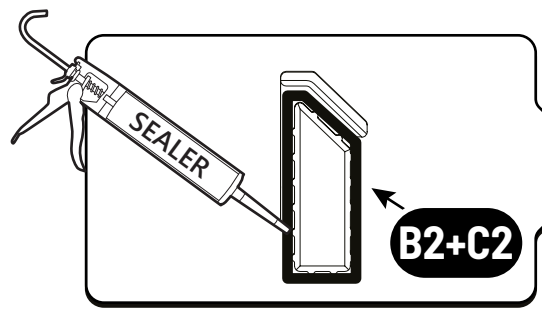
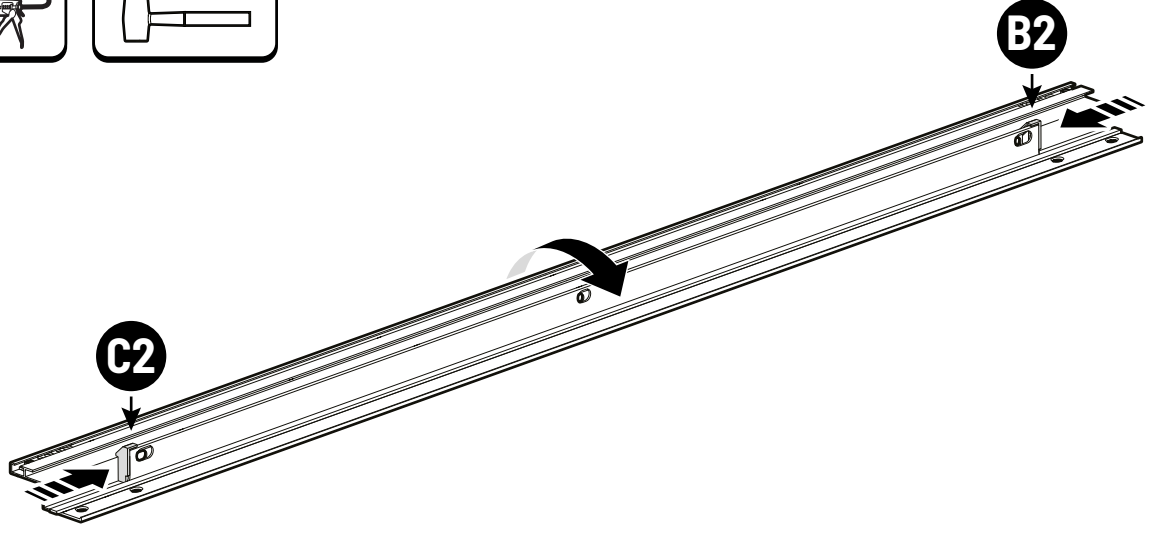
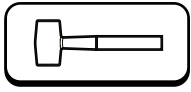
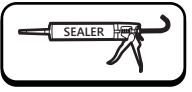
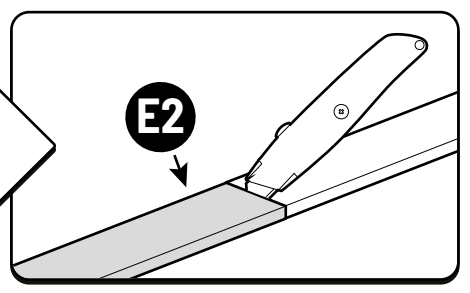
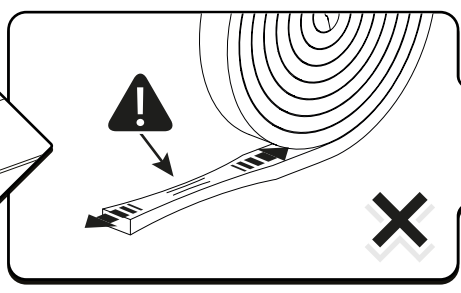
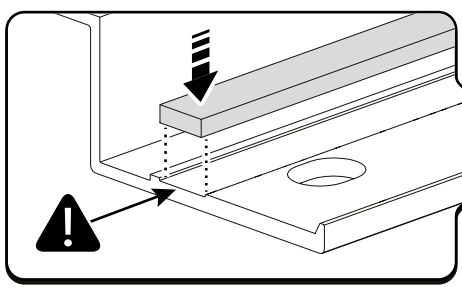
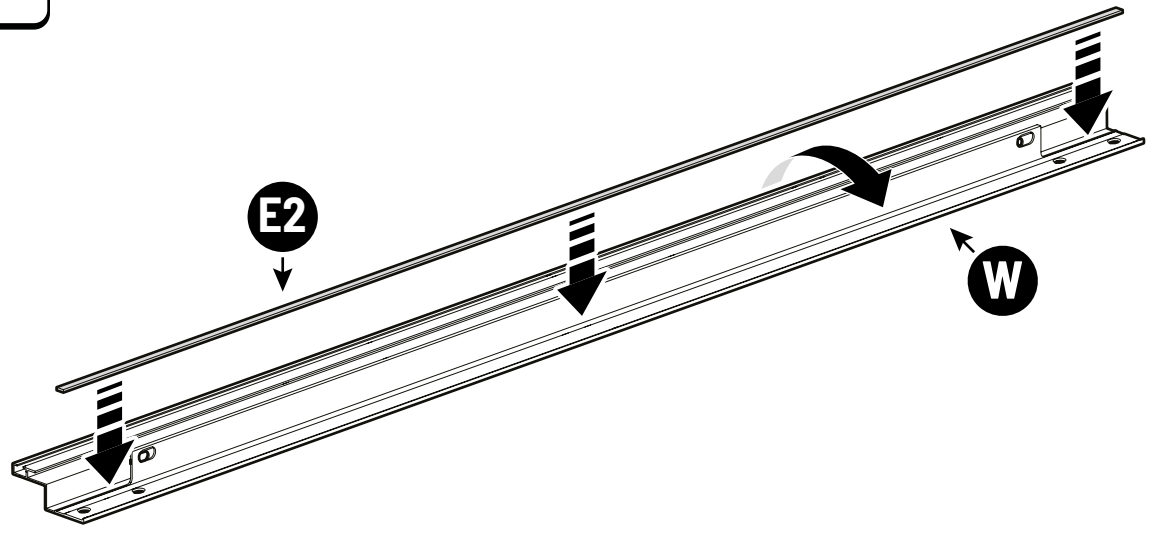
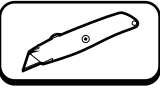


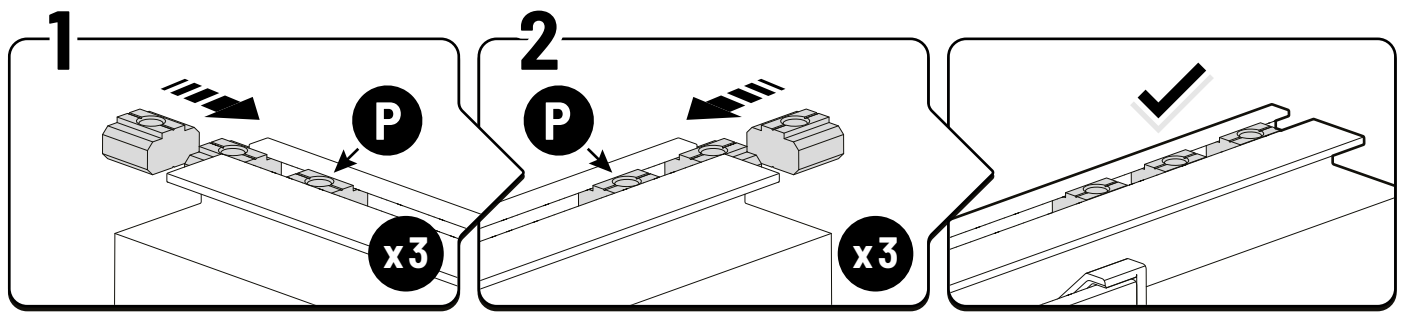
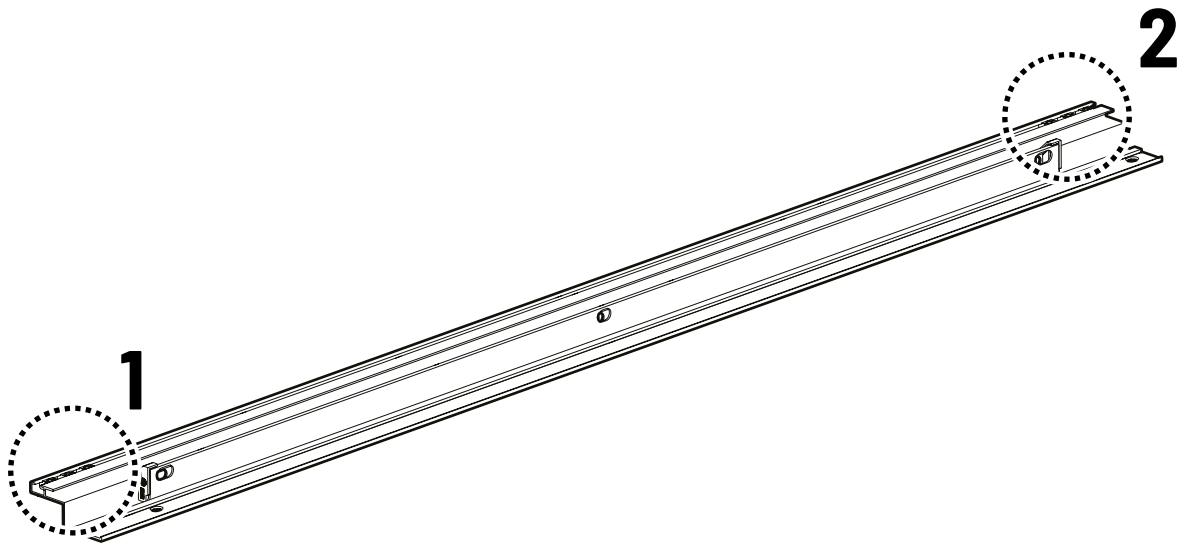


Ford XLT / Raptor

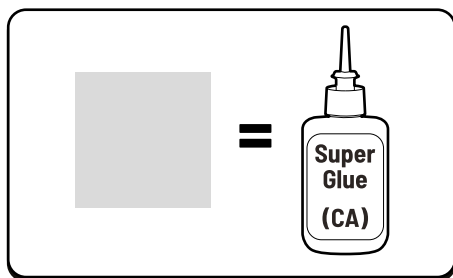
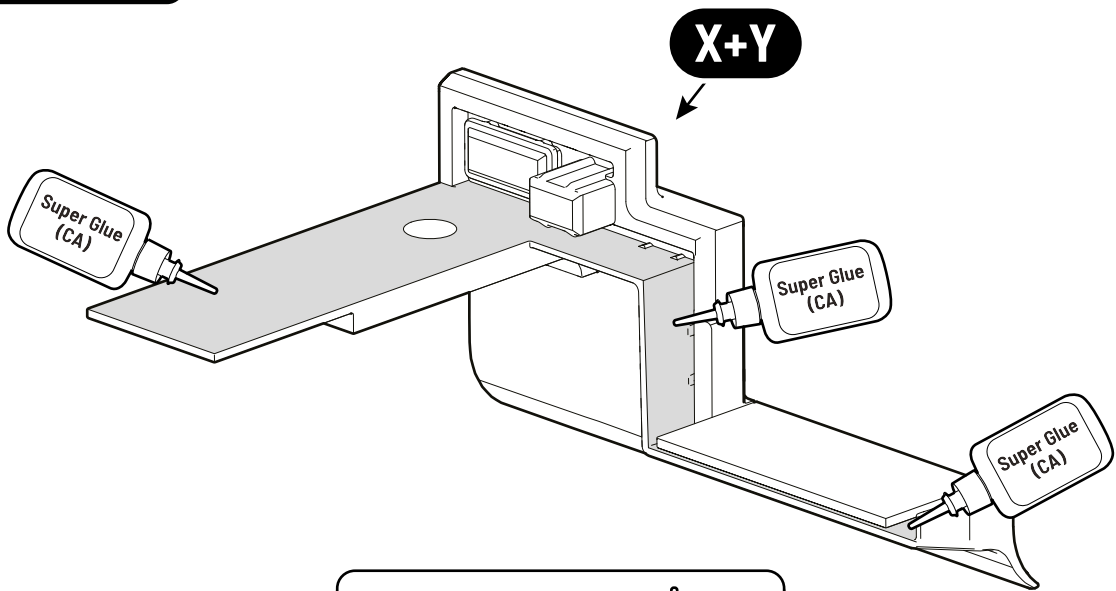


Ford Wildtrak





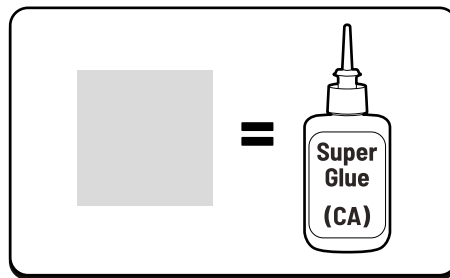
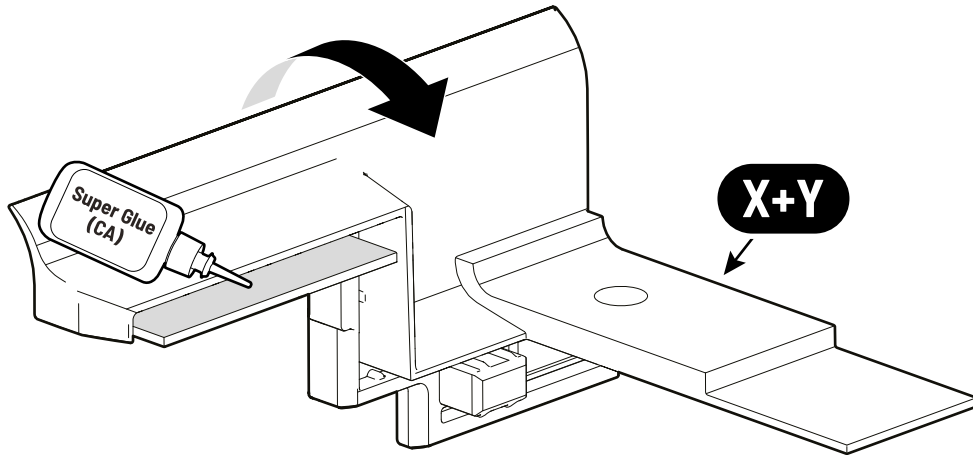
 **Super Glue (CA)**



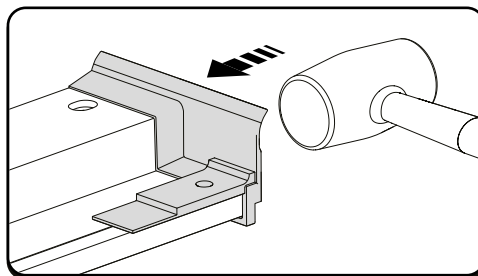
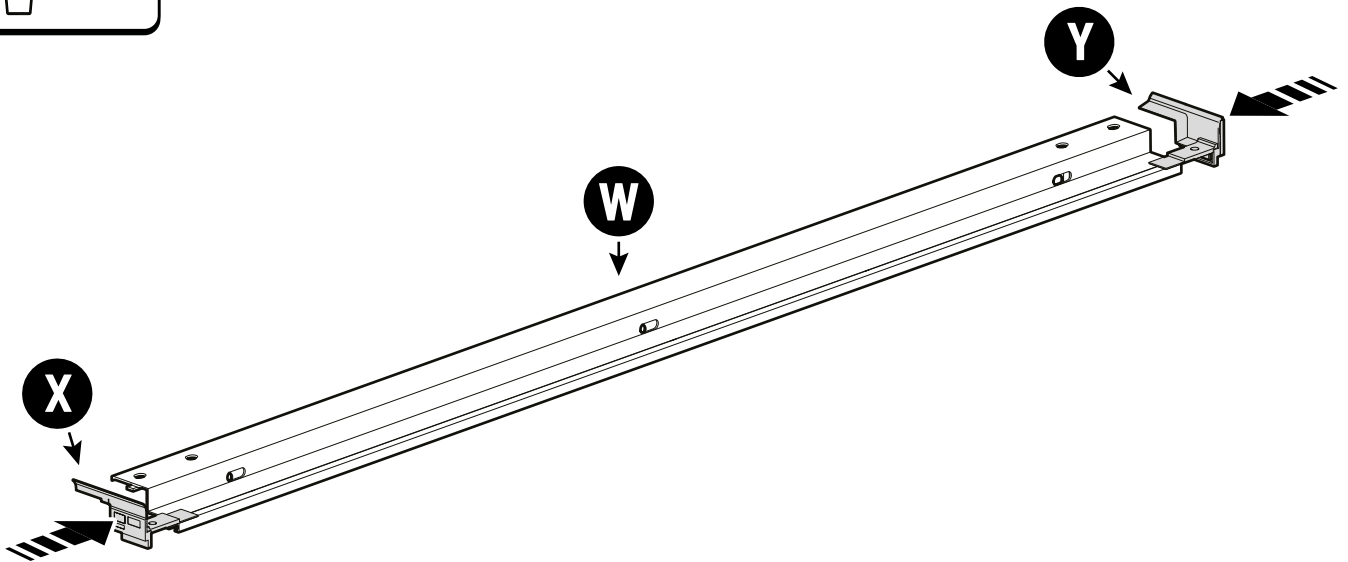


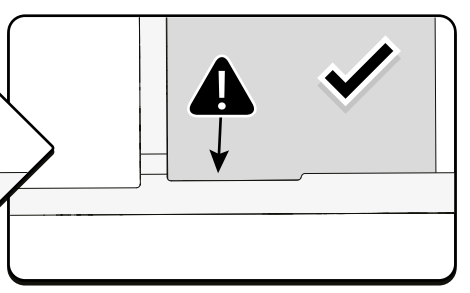
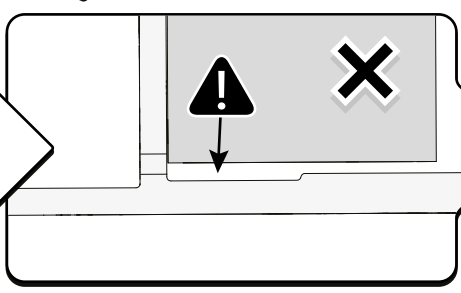
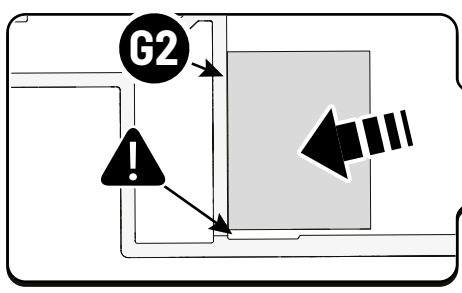
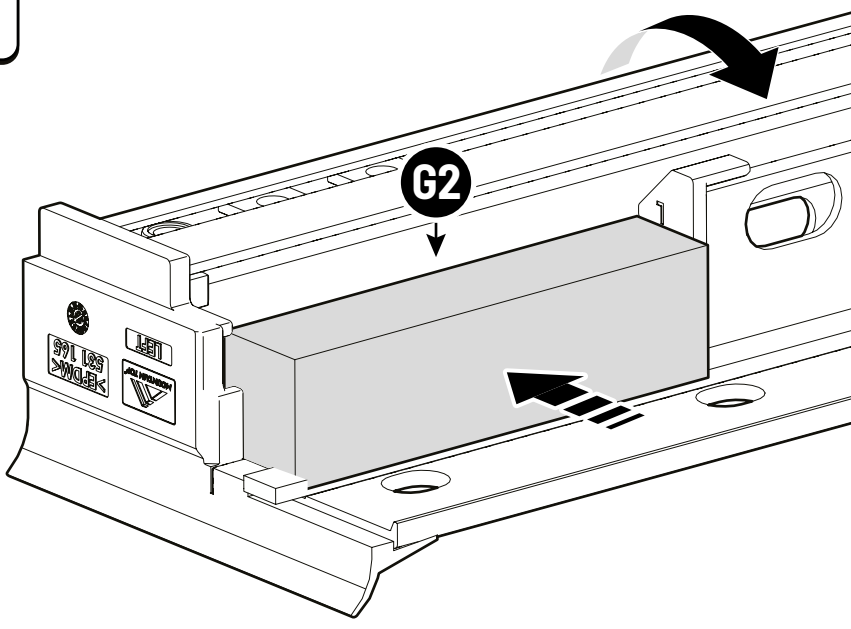
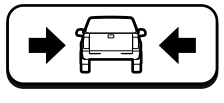
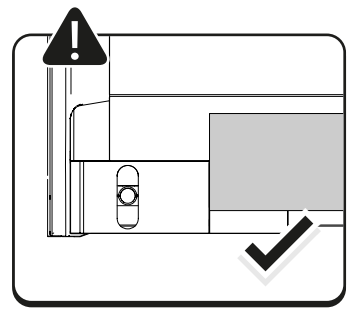
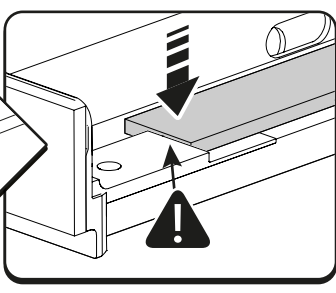
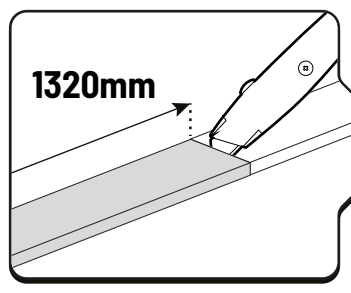
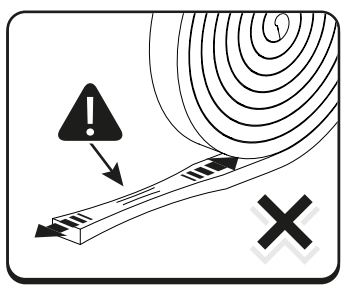
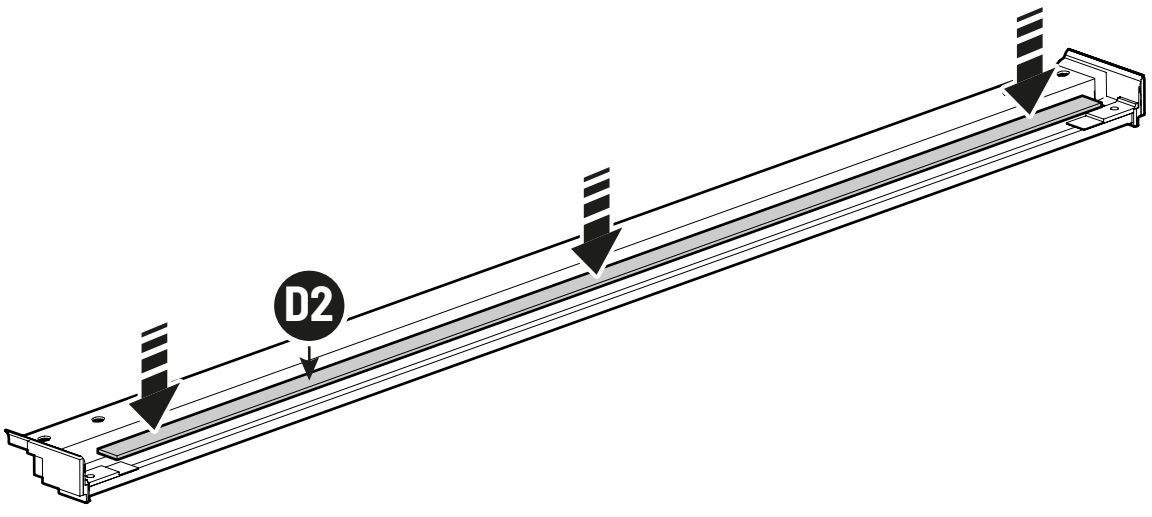
Super Glue (CA)

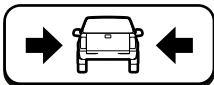
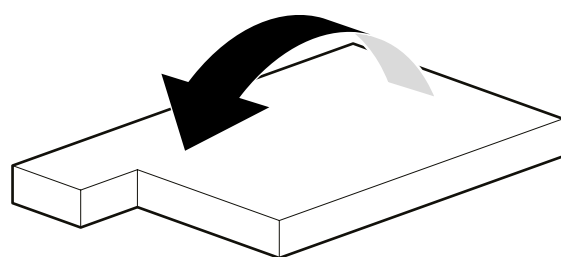
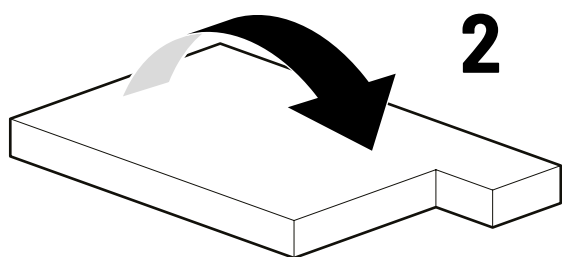
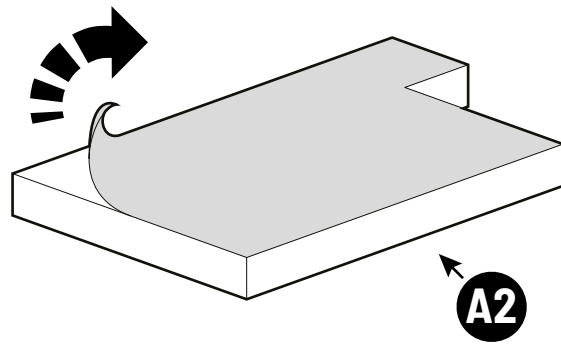
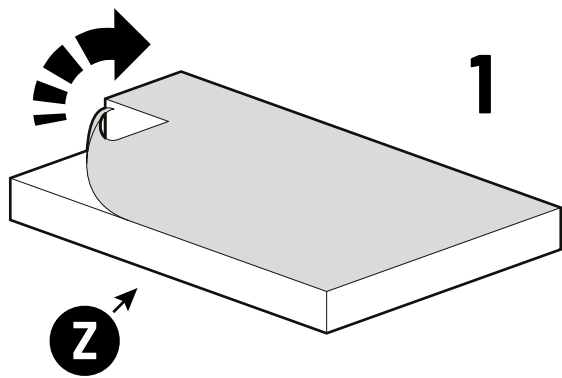
50



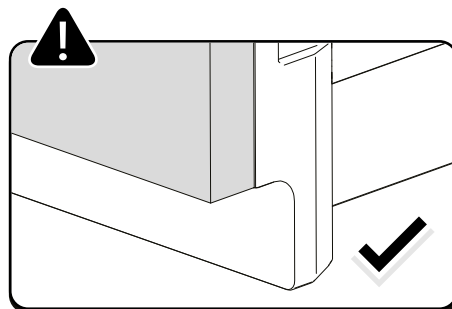
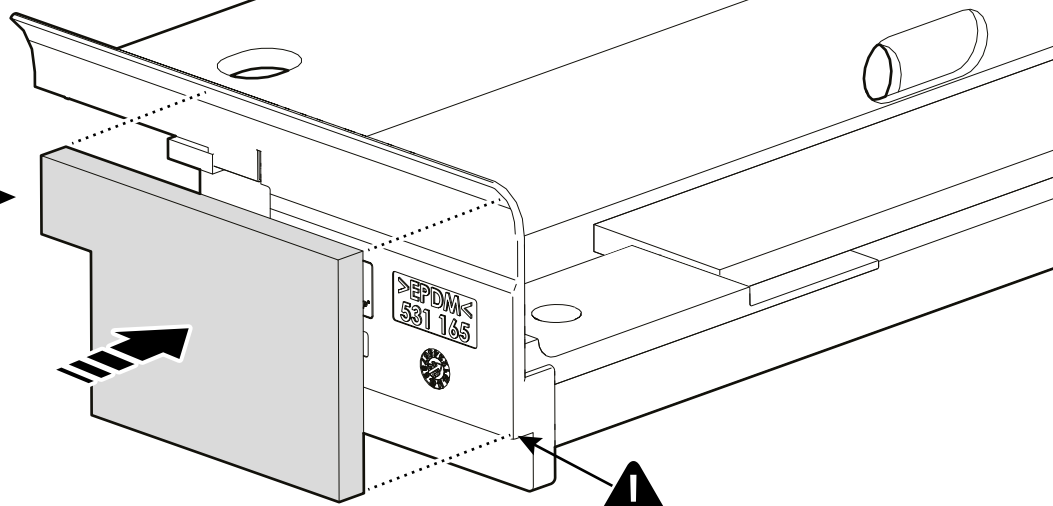
51

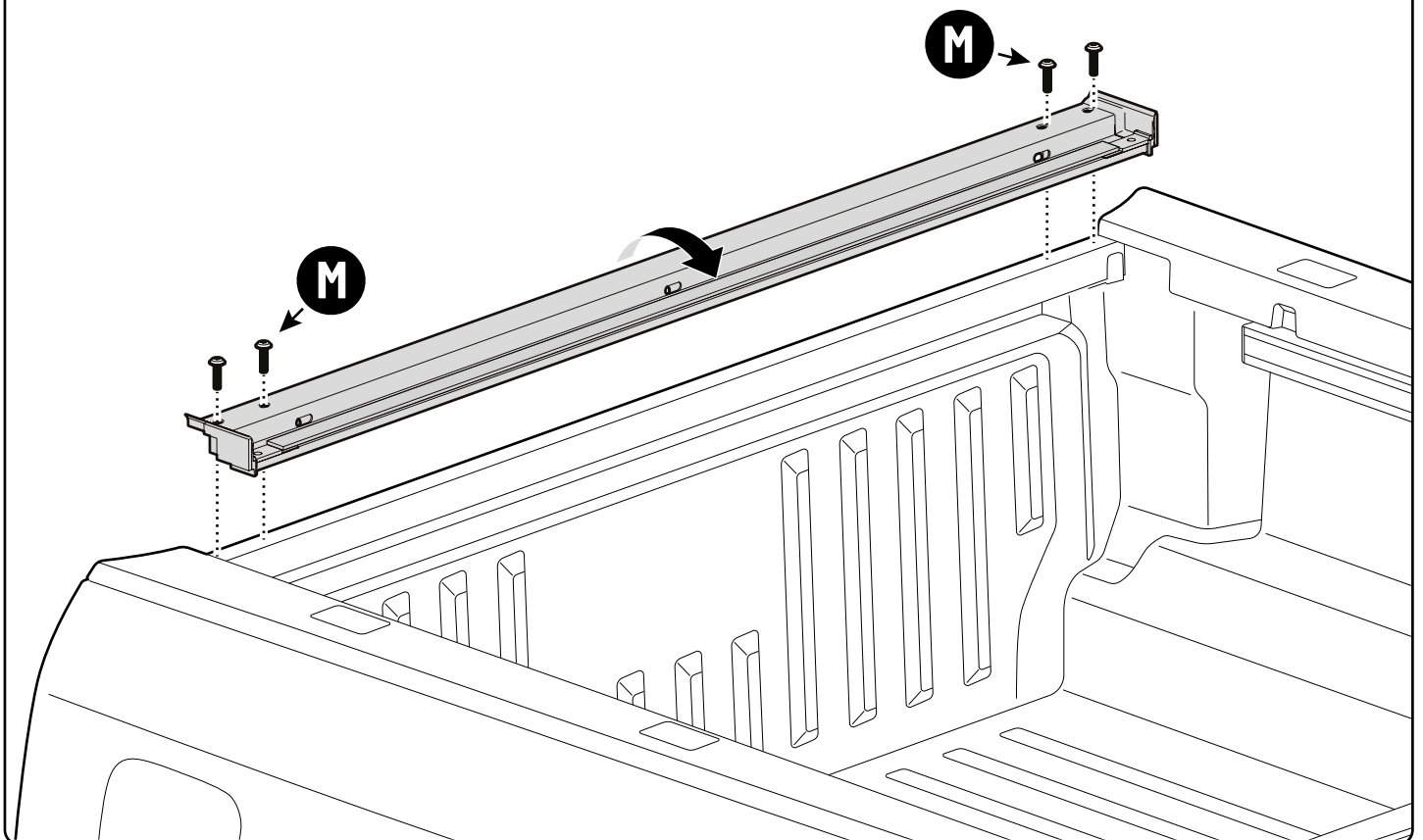
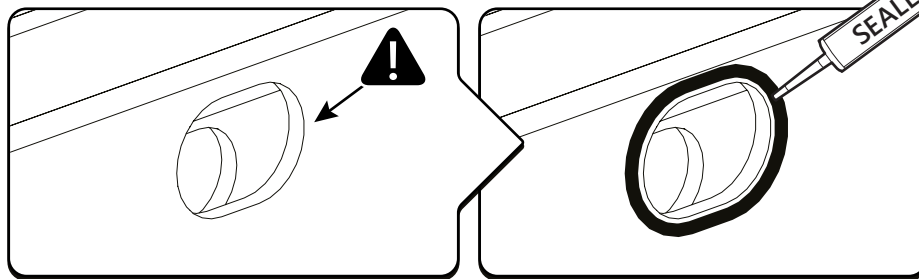
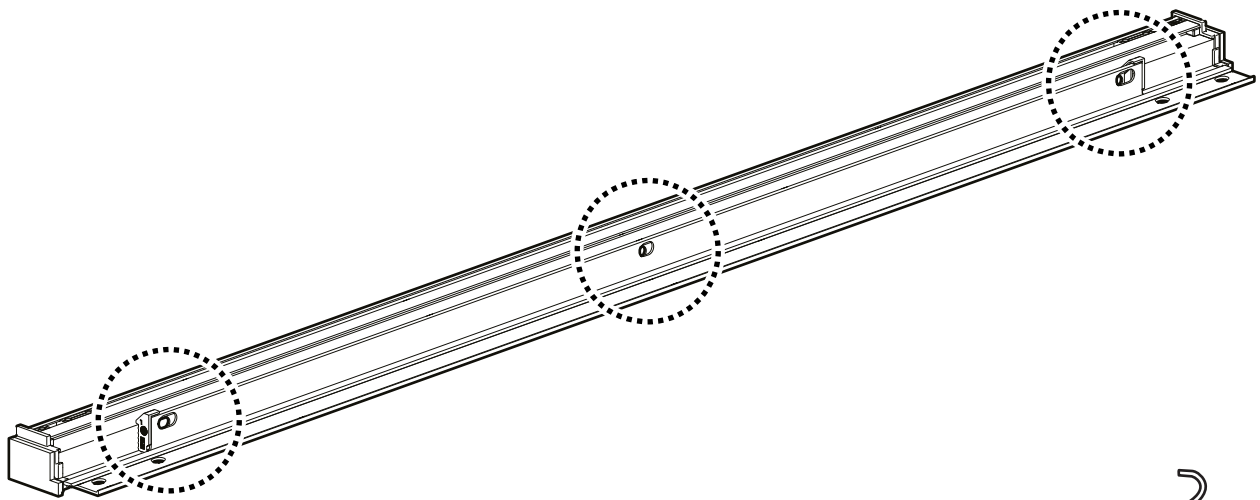


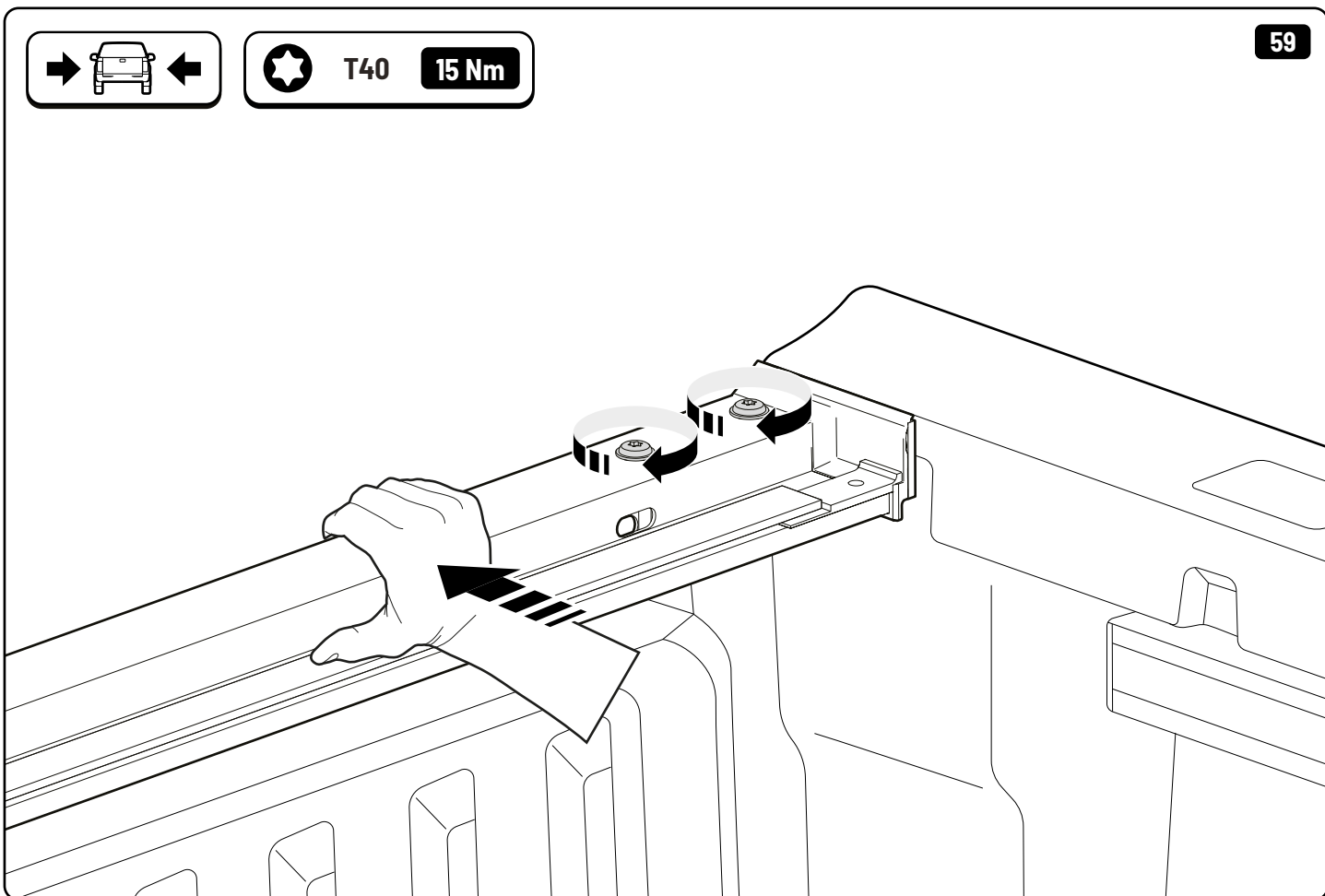
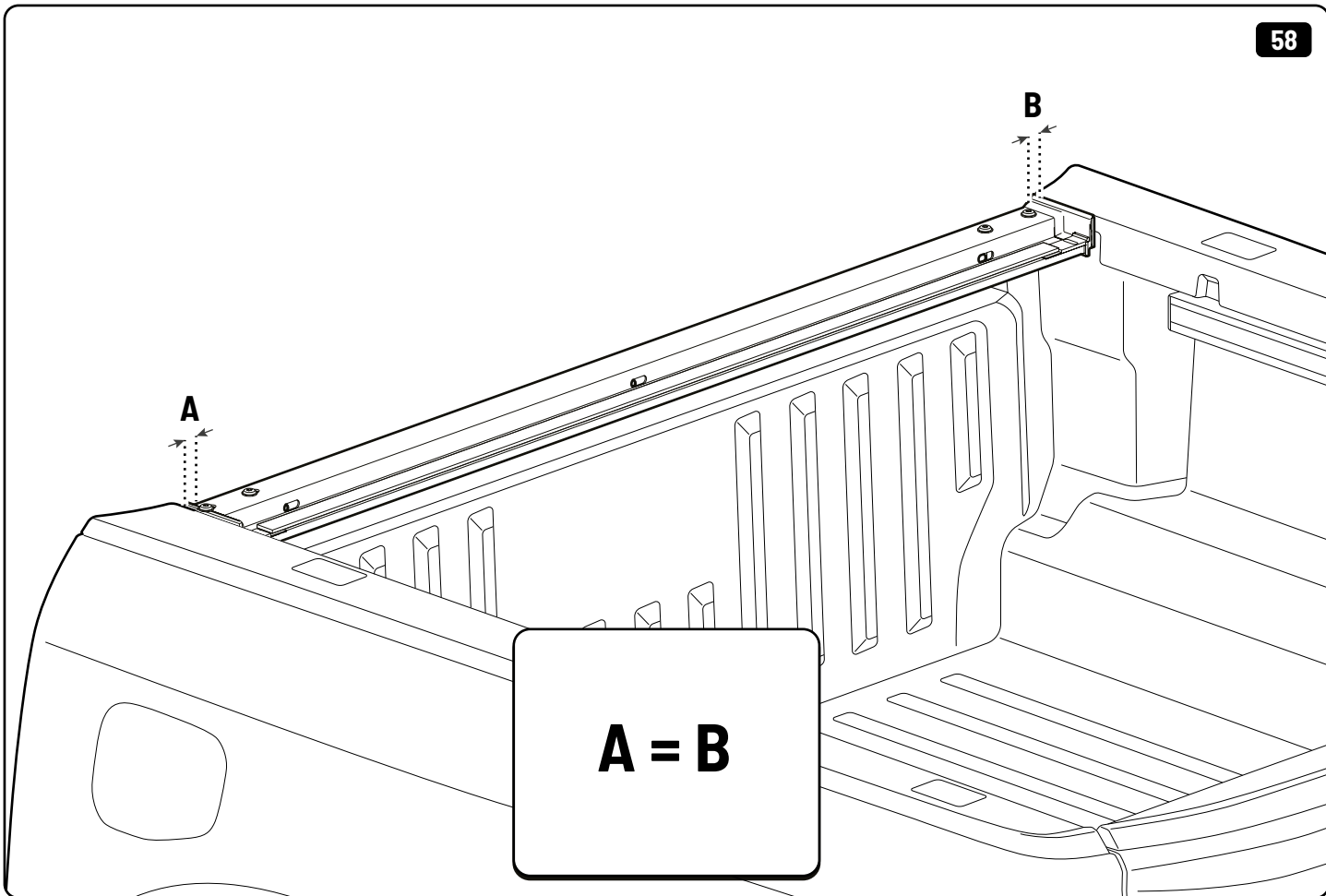


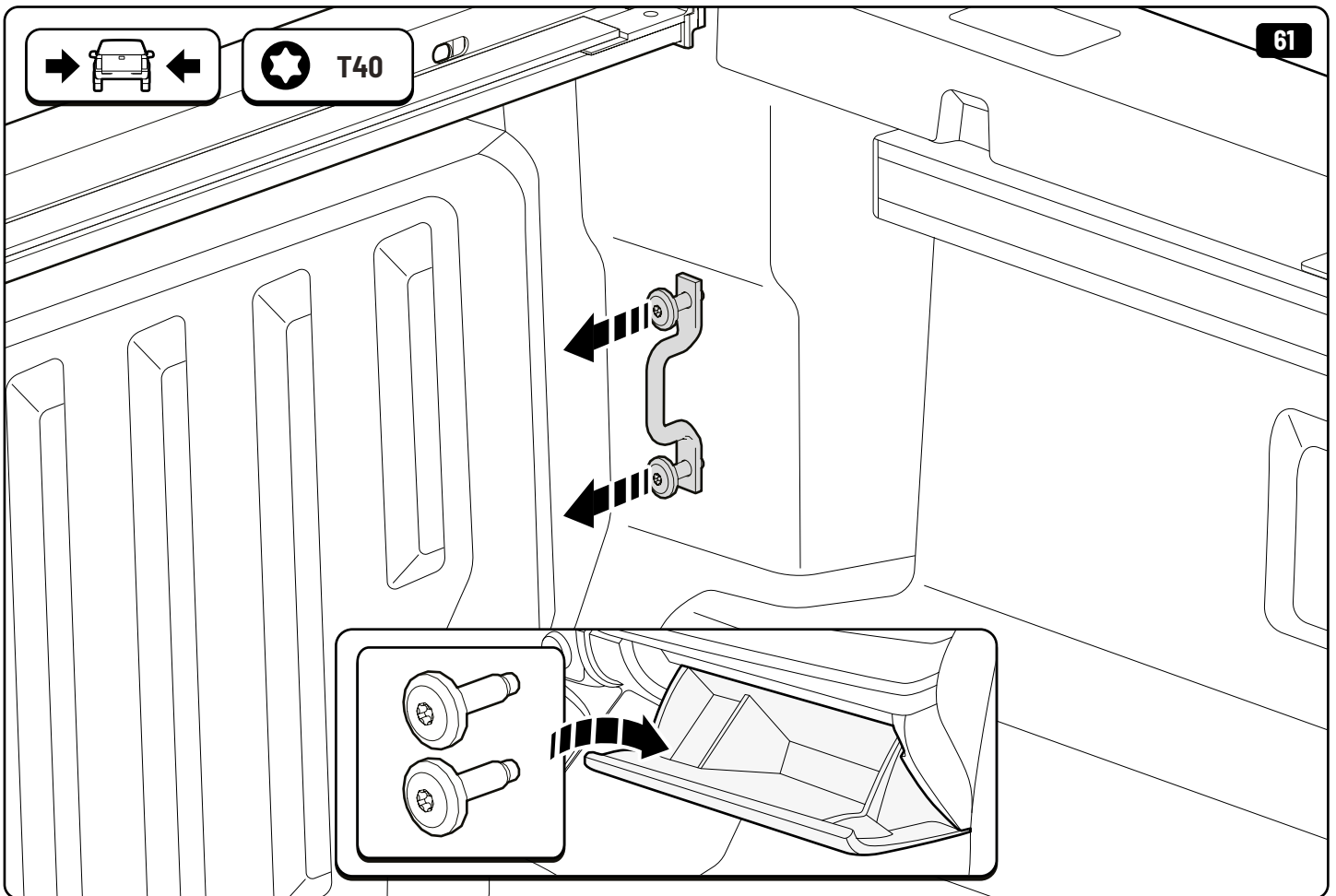
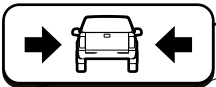
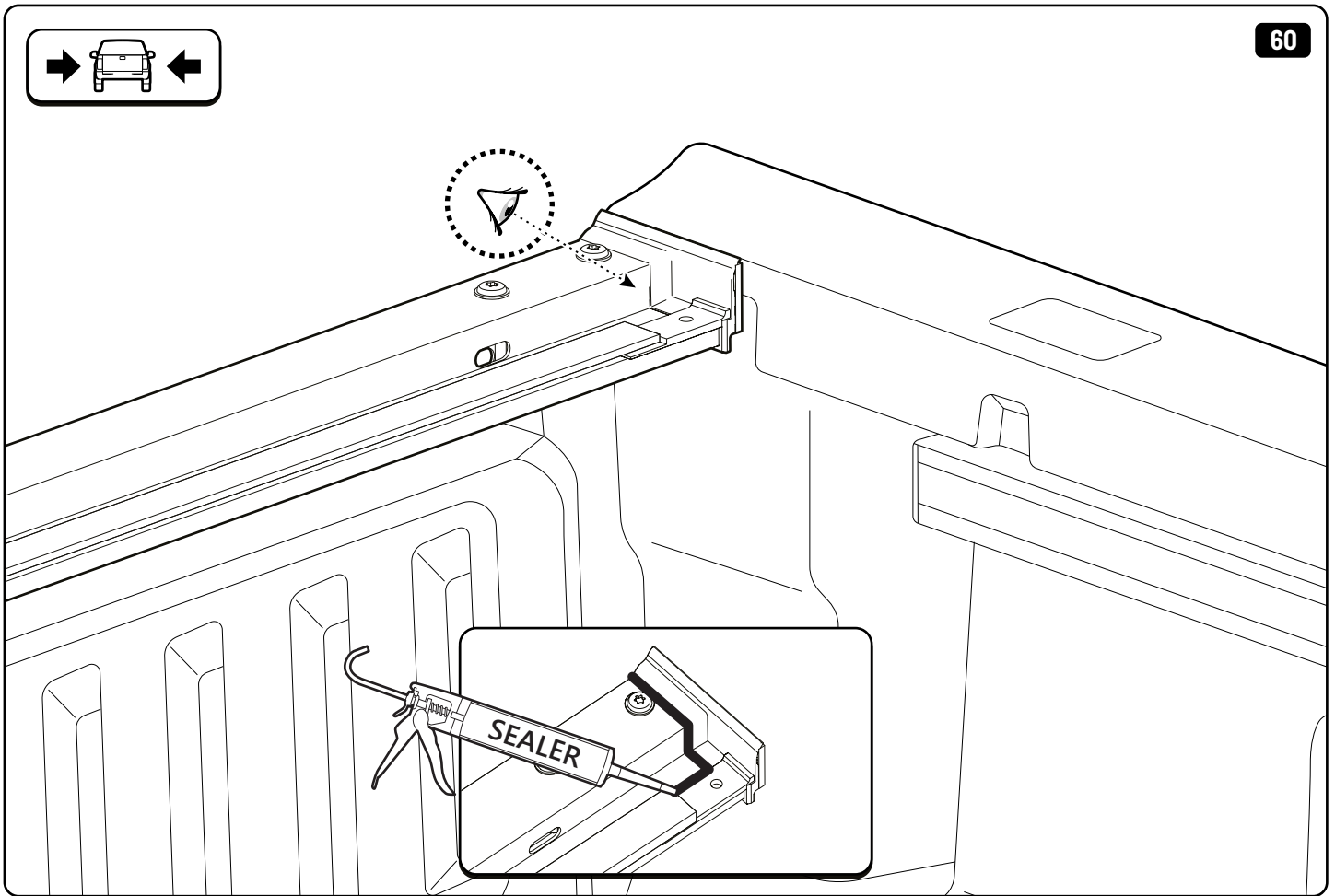
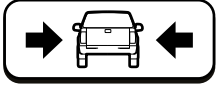


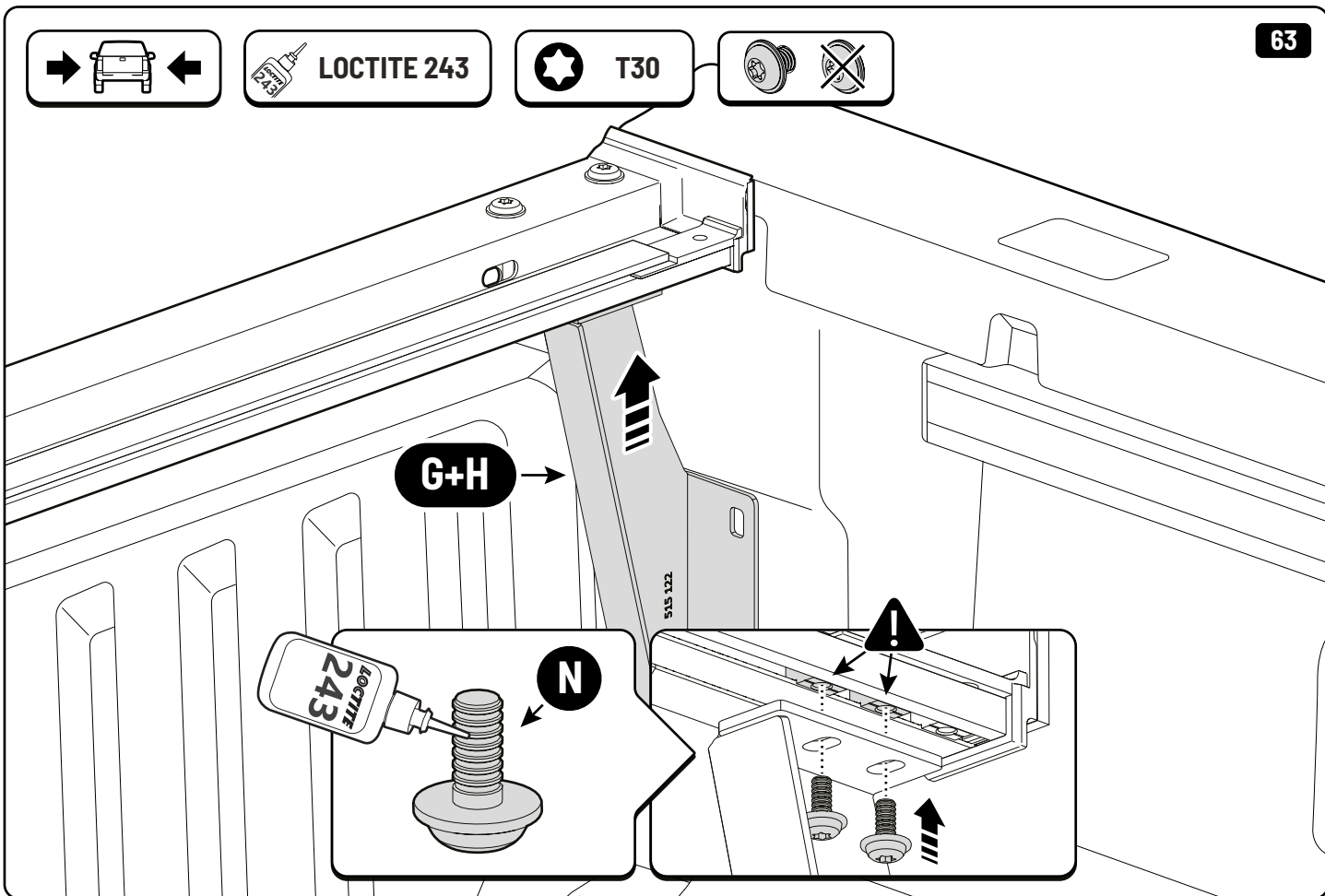
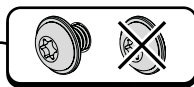
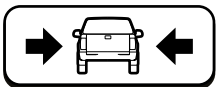
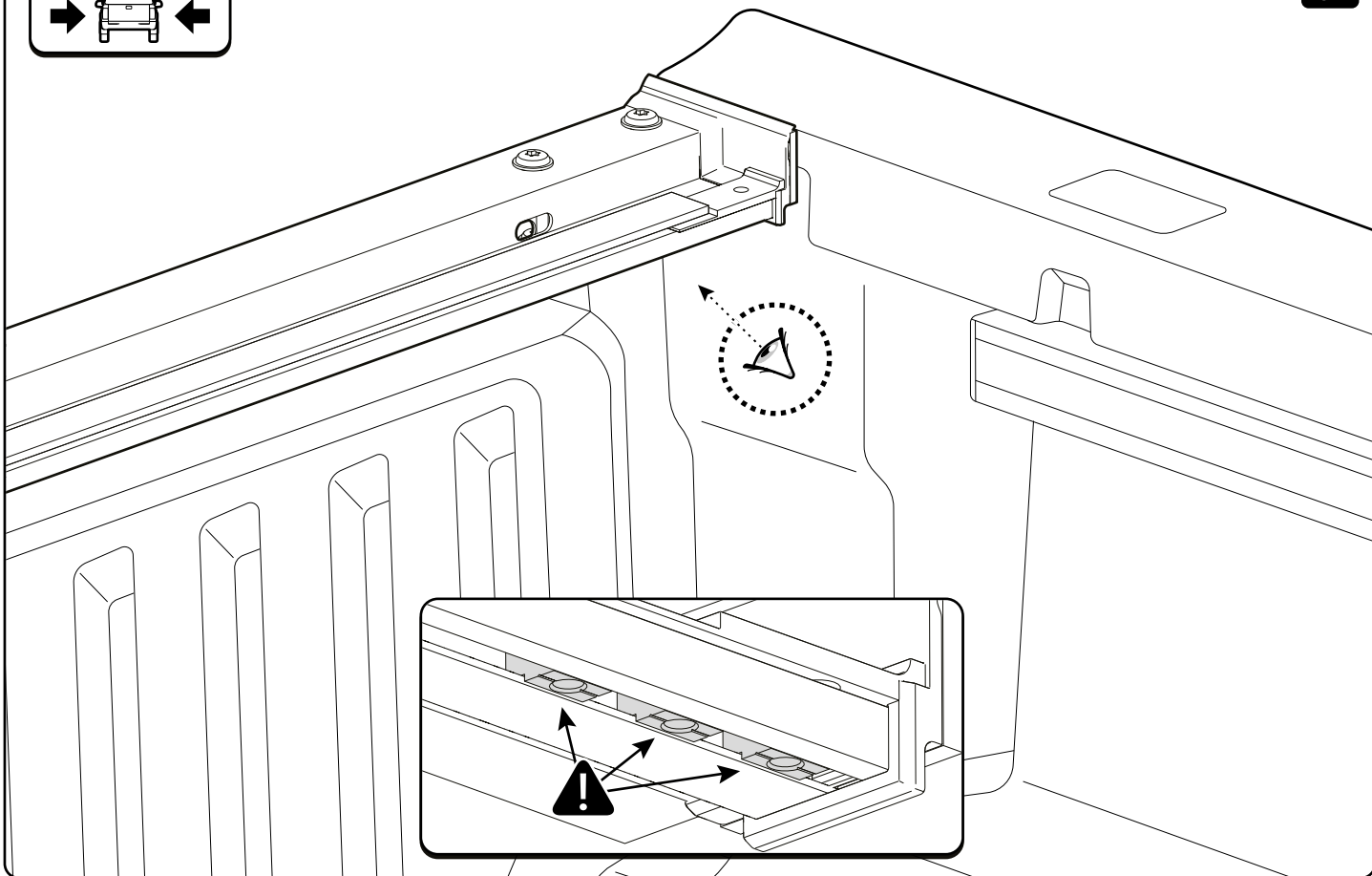
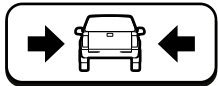
Z+A2

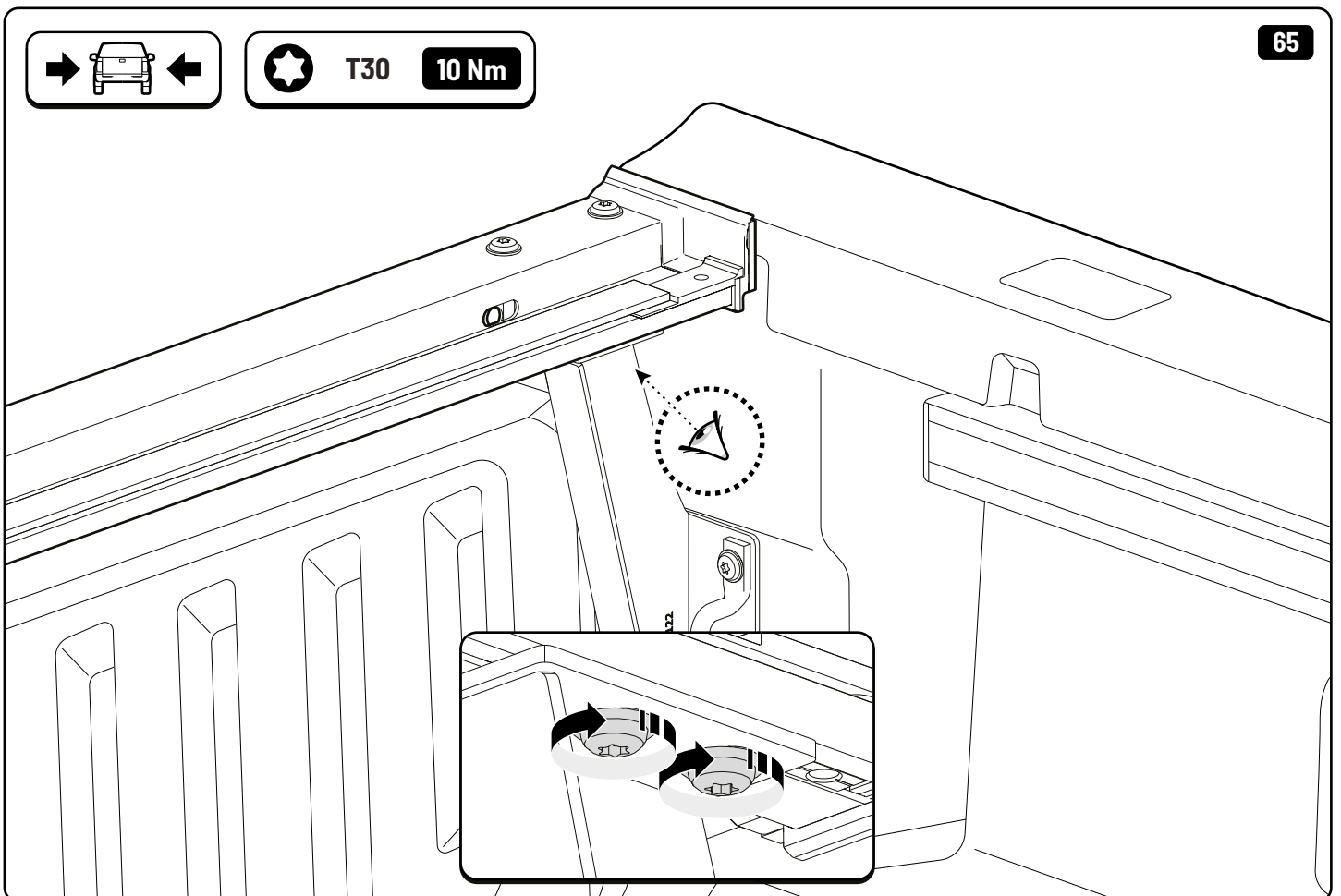
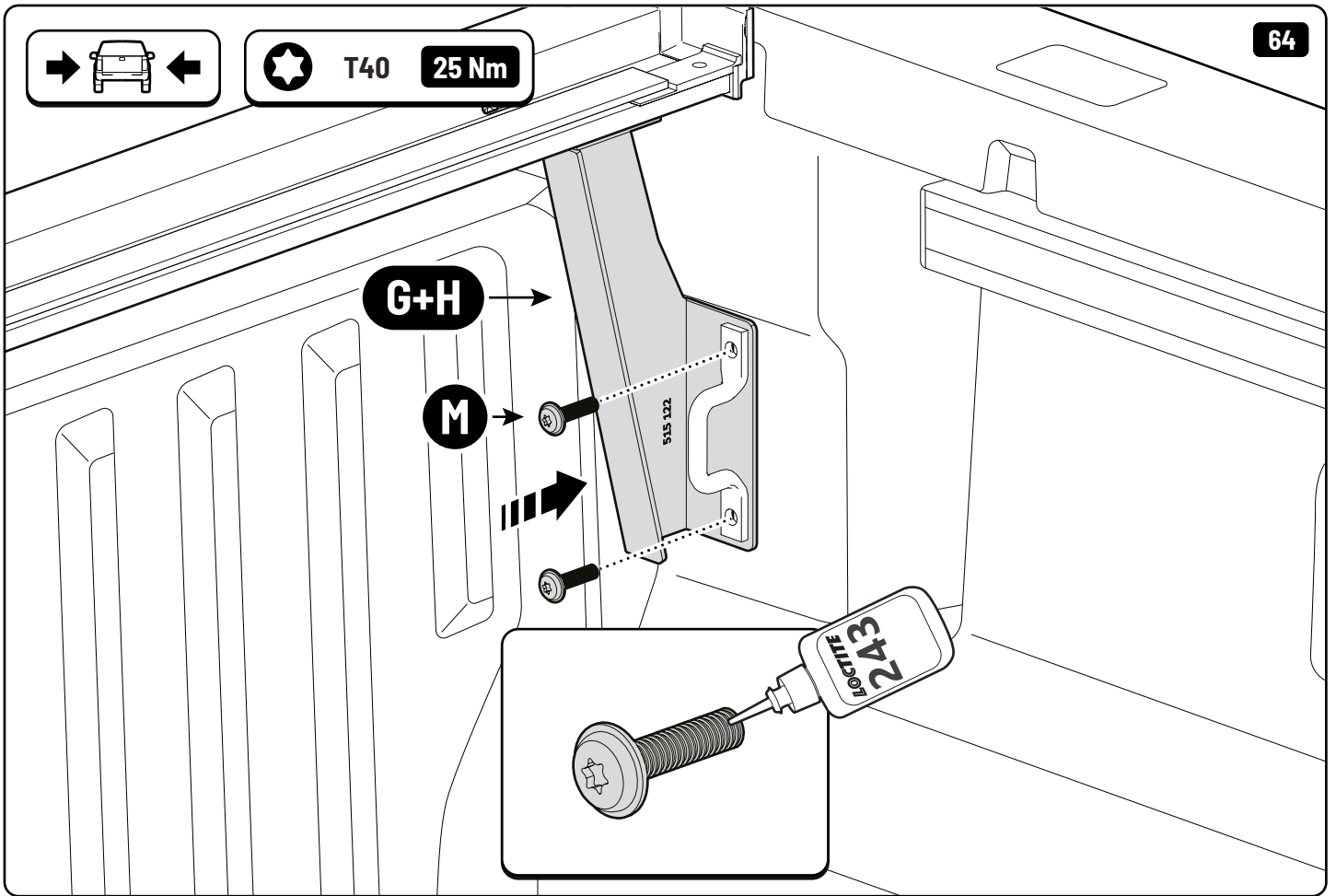


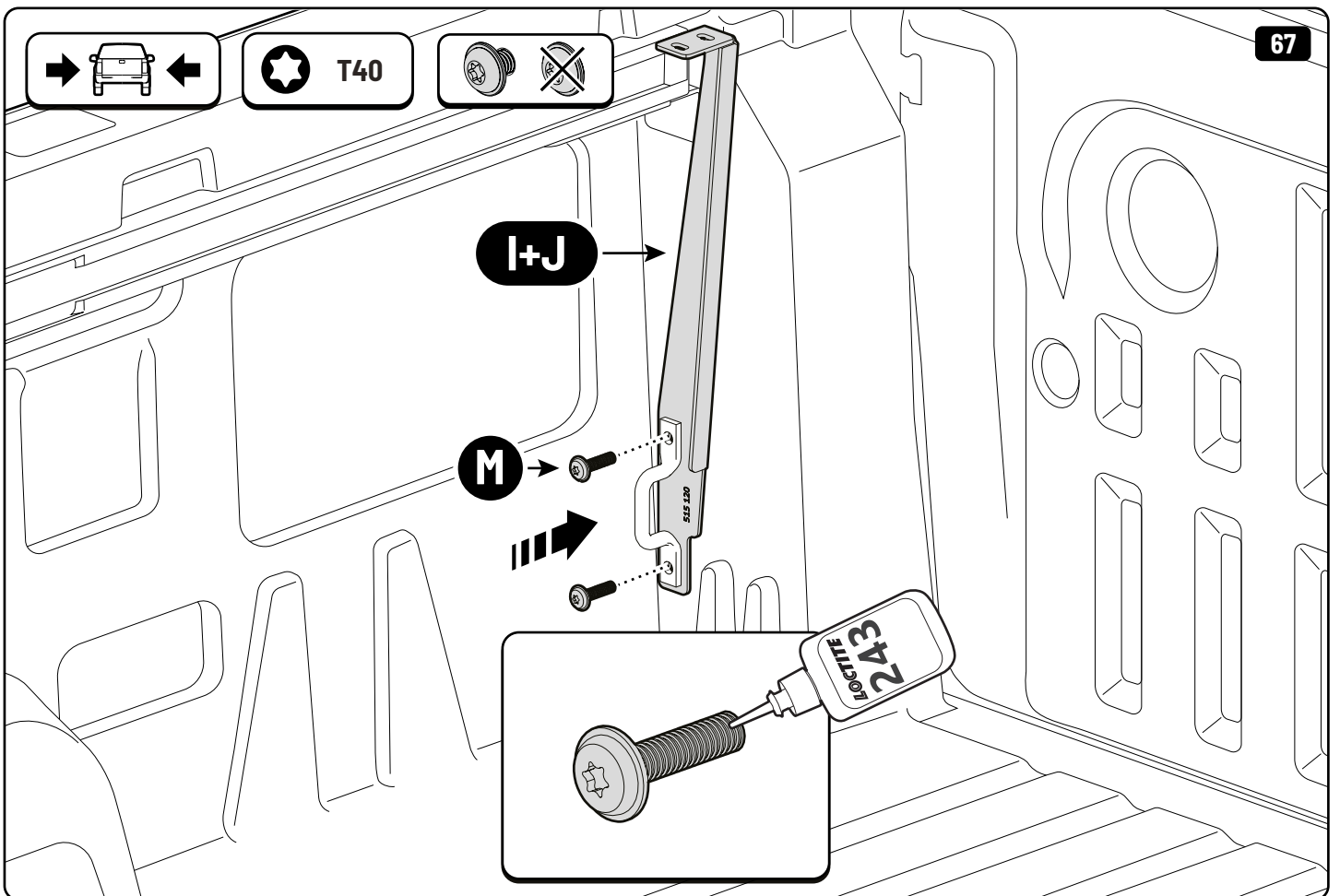
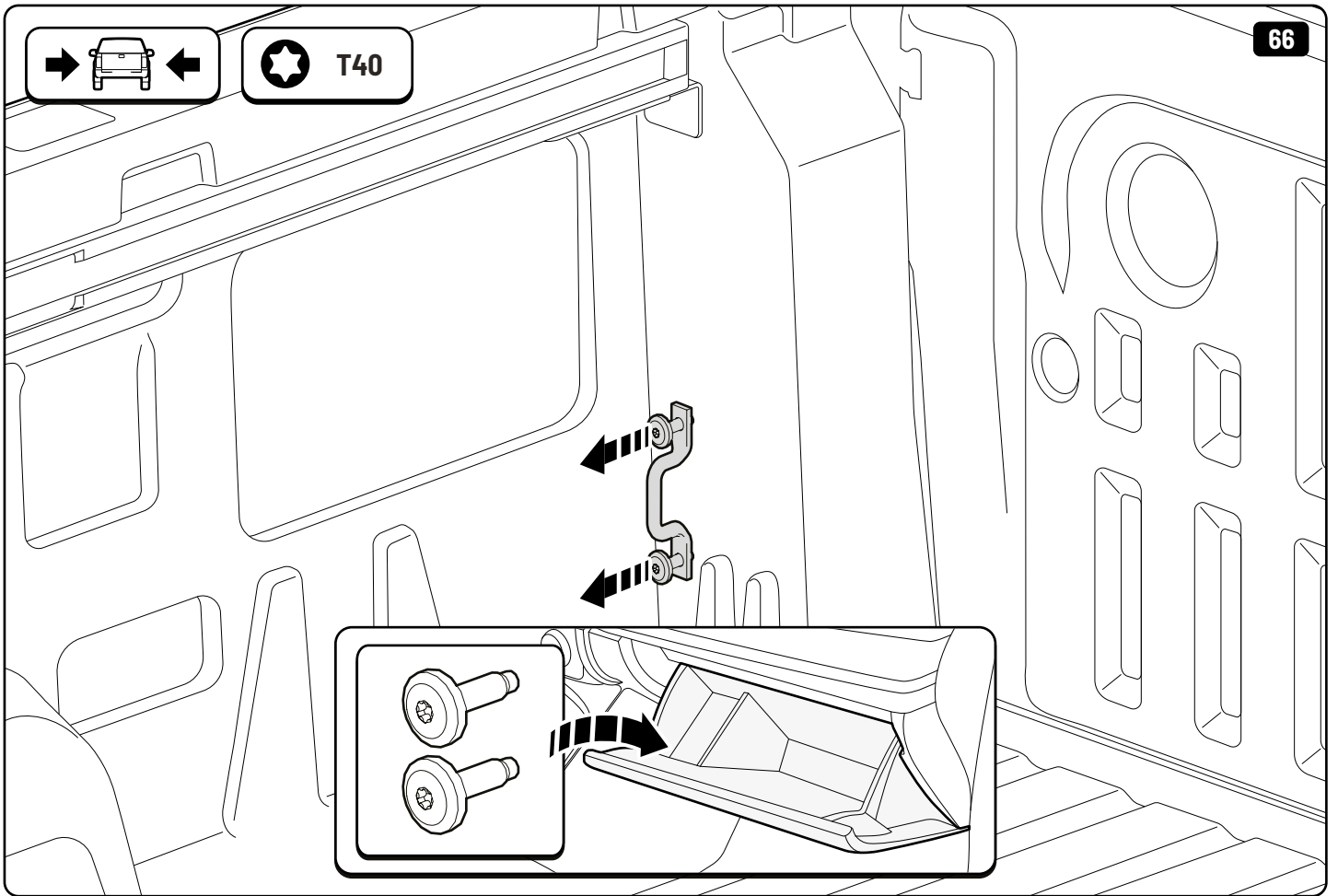


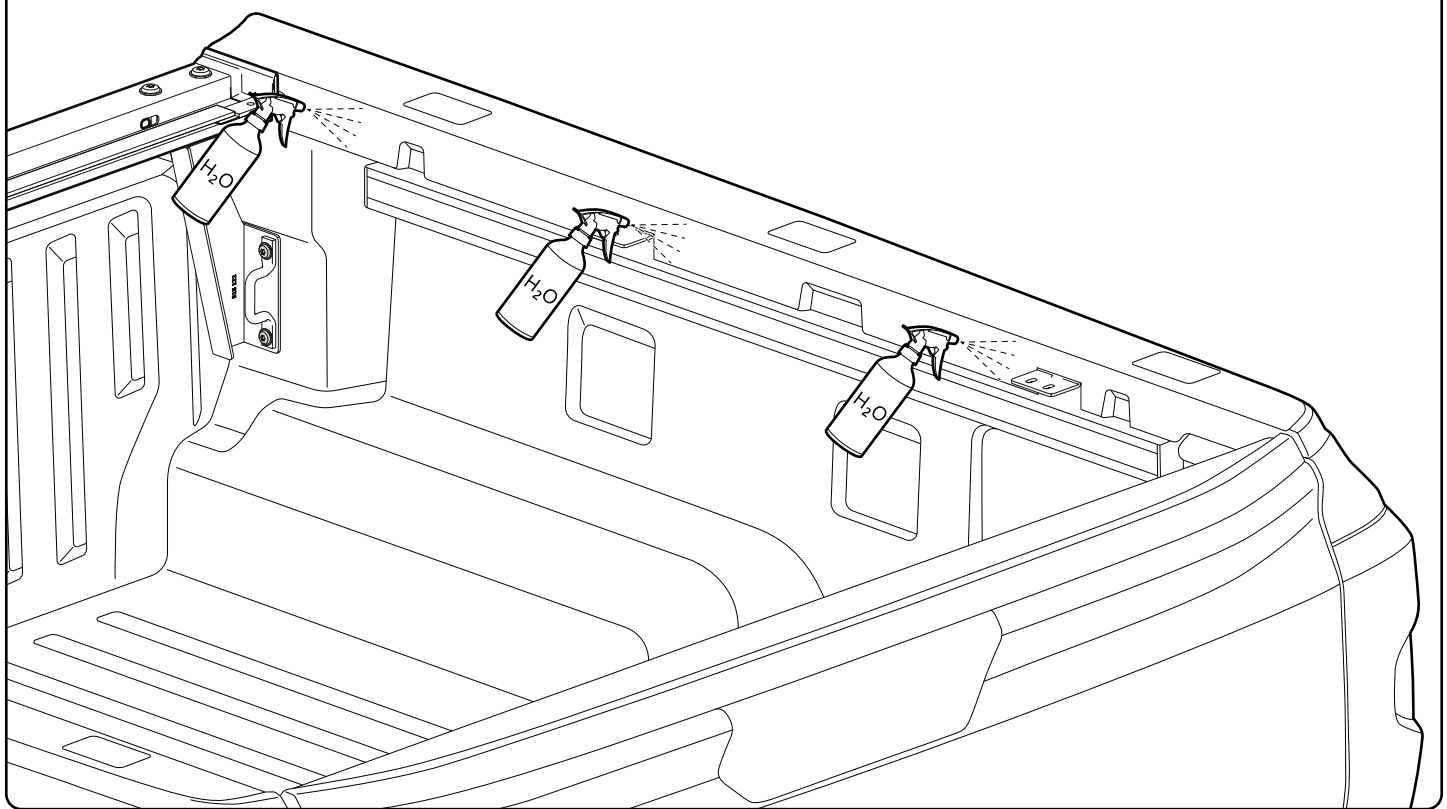
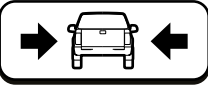






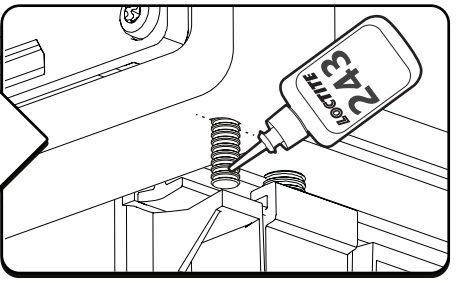
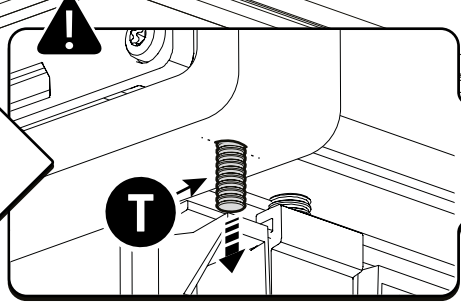
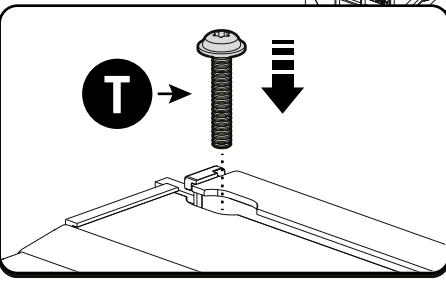
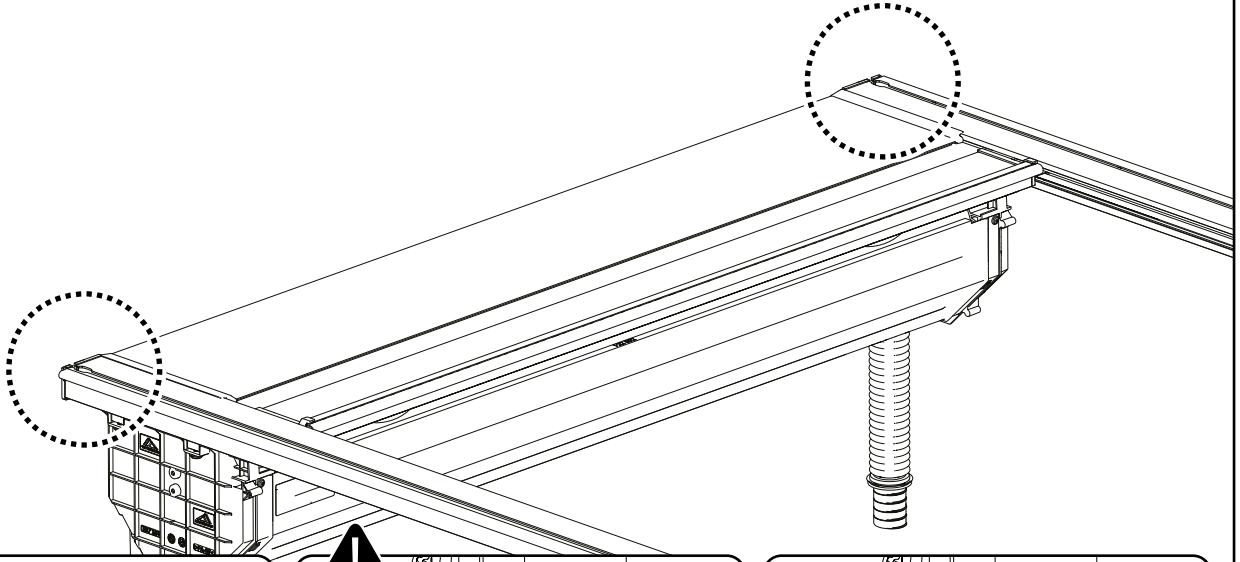
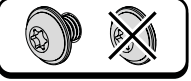


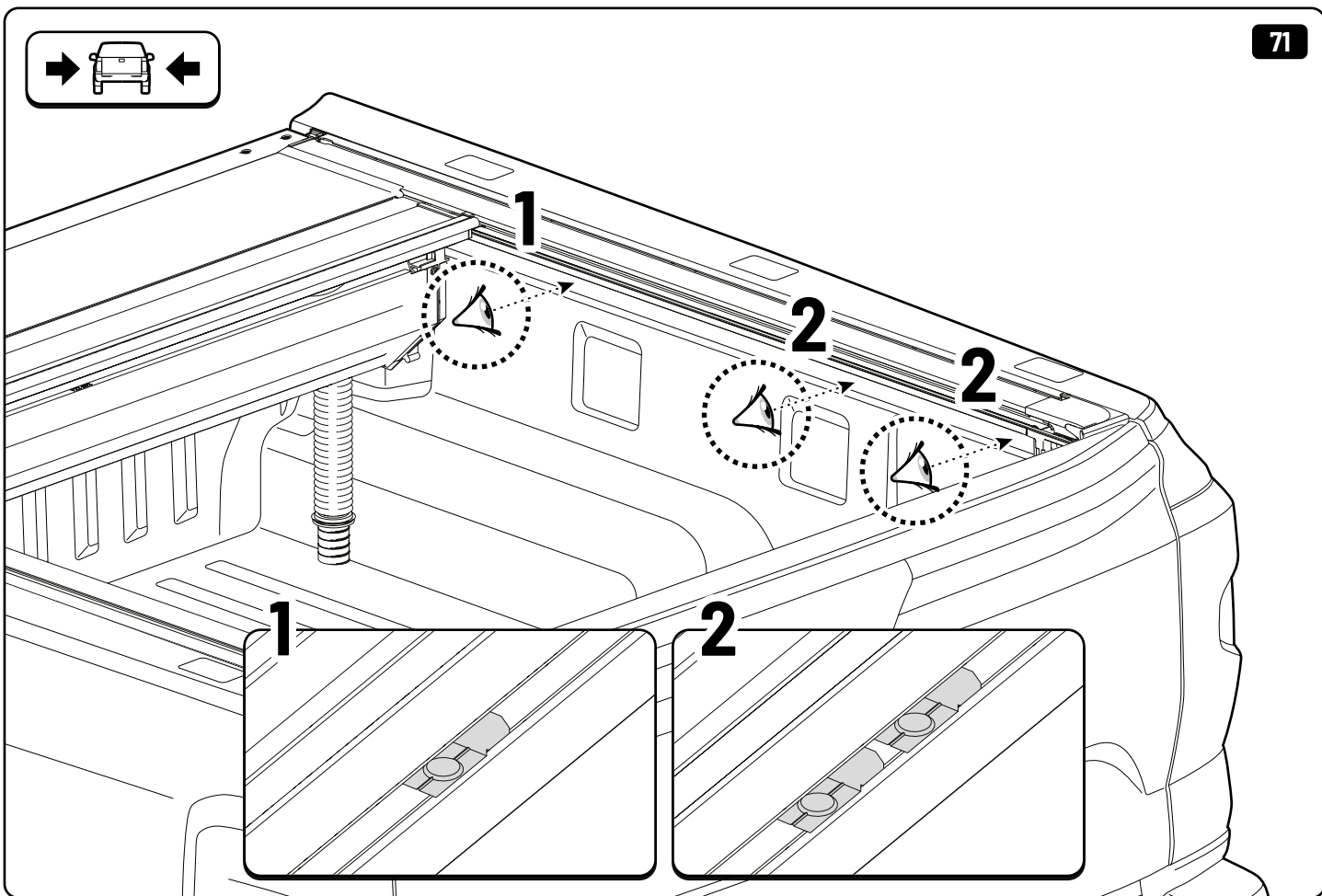
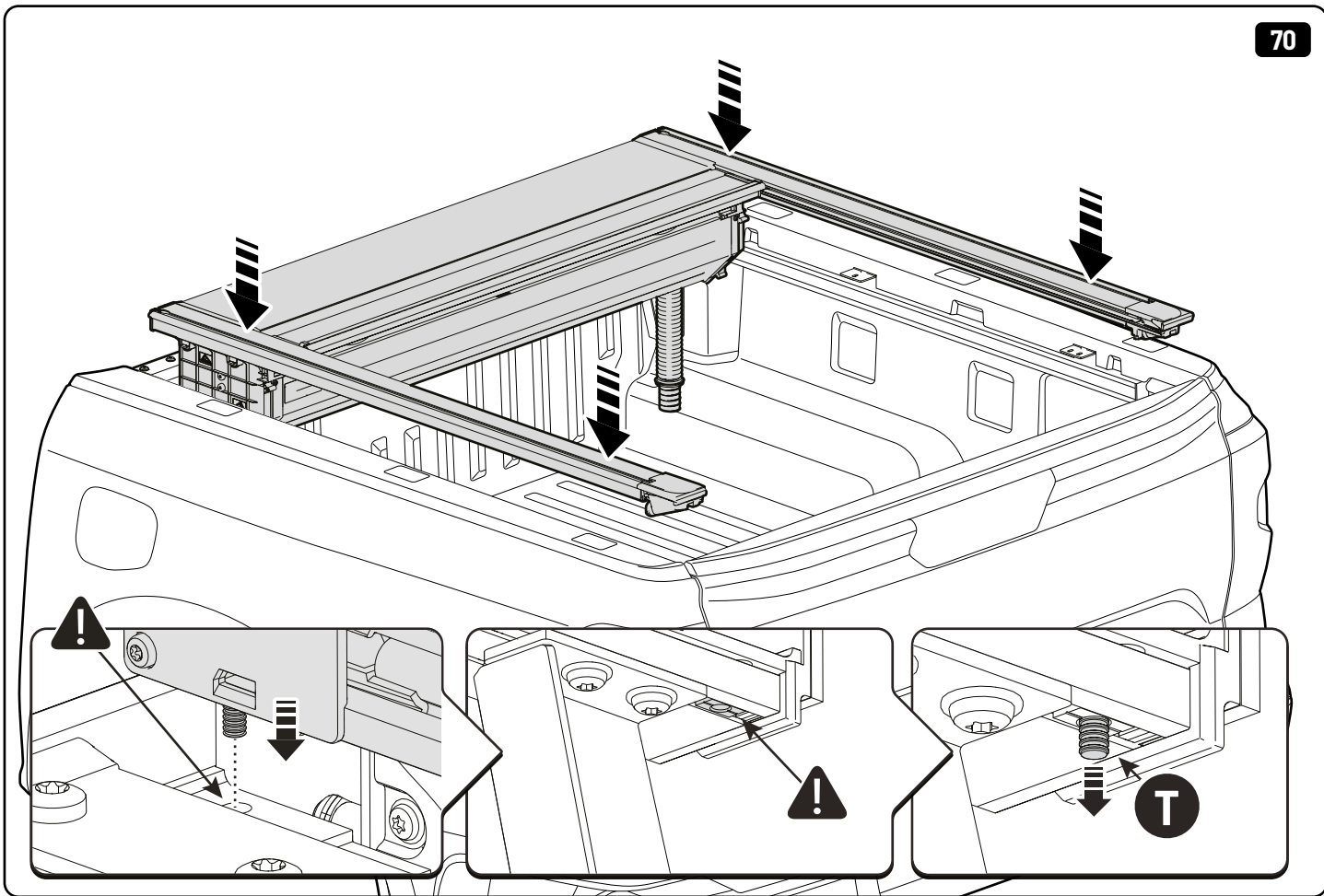




 **LOCTITE 243**

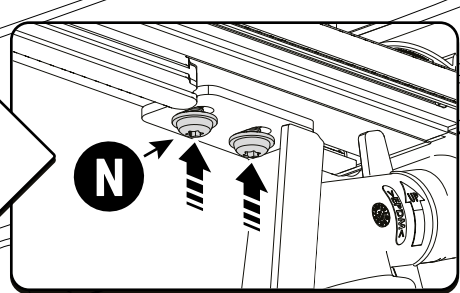
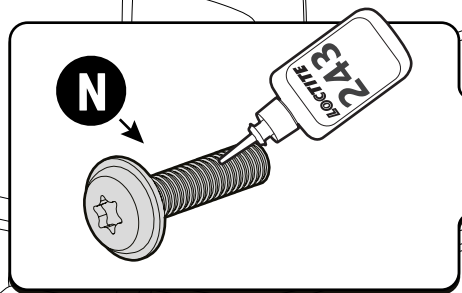
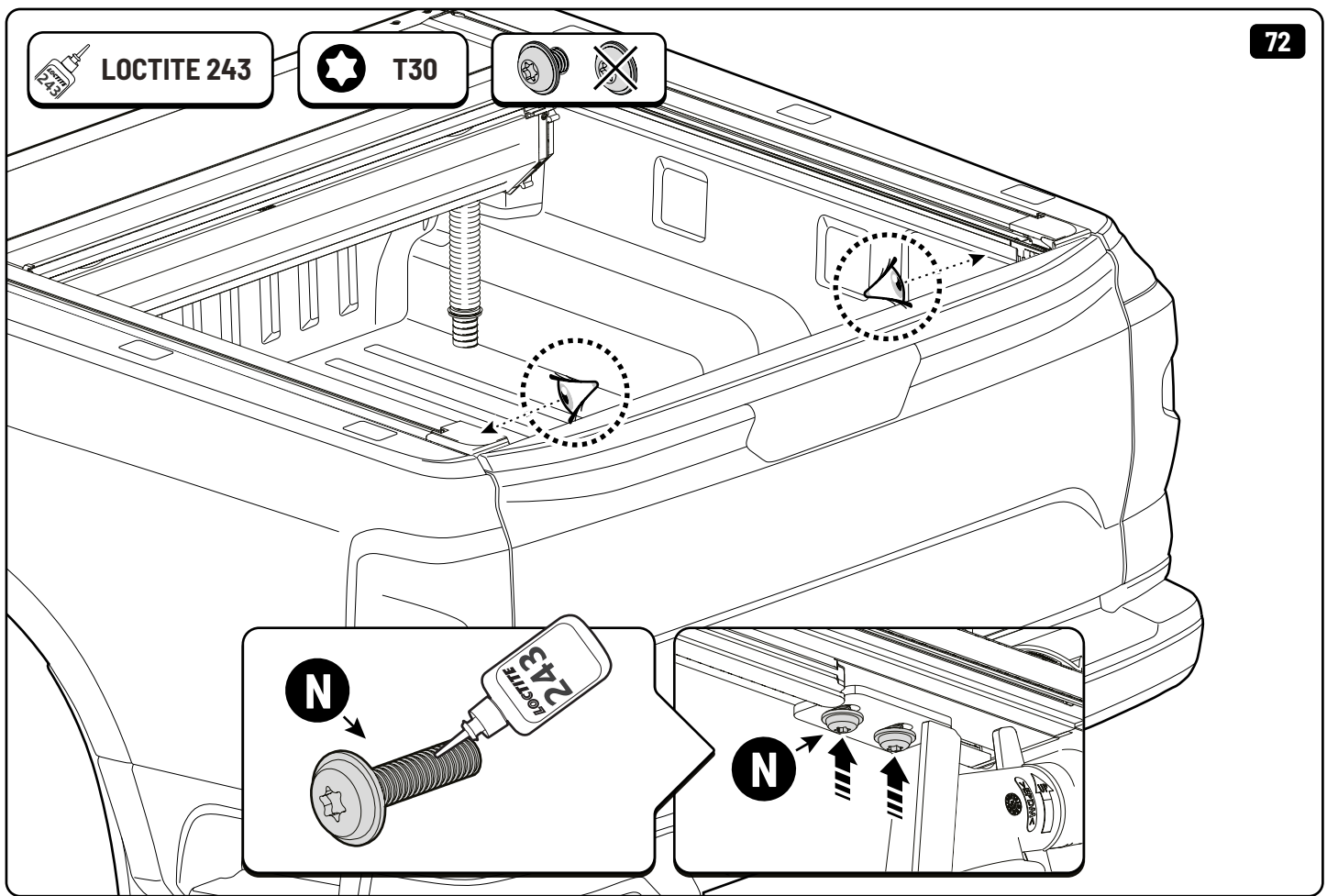
 **T30**





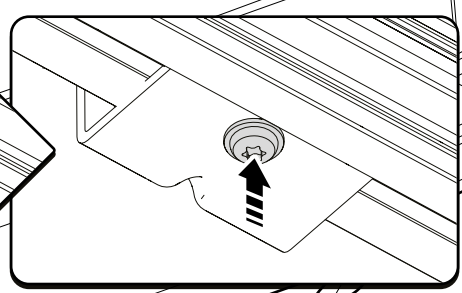
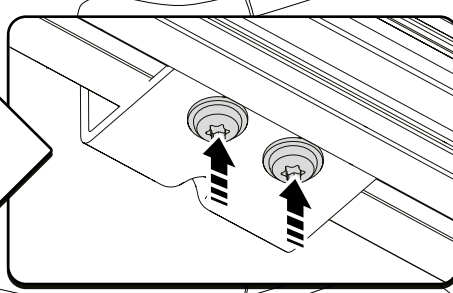
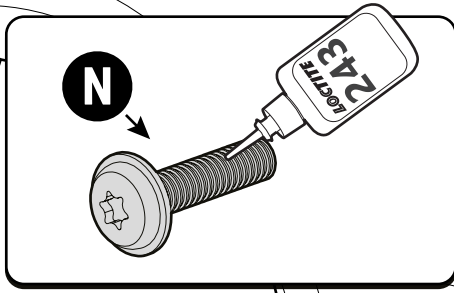
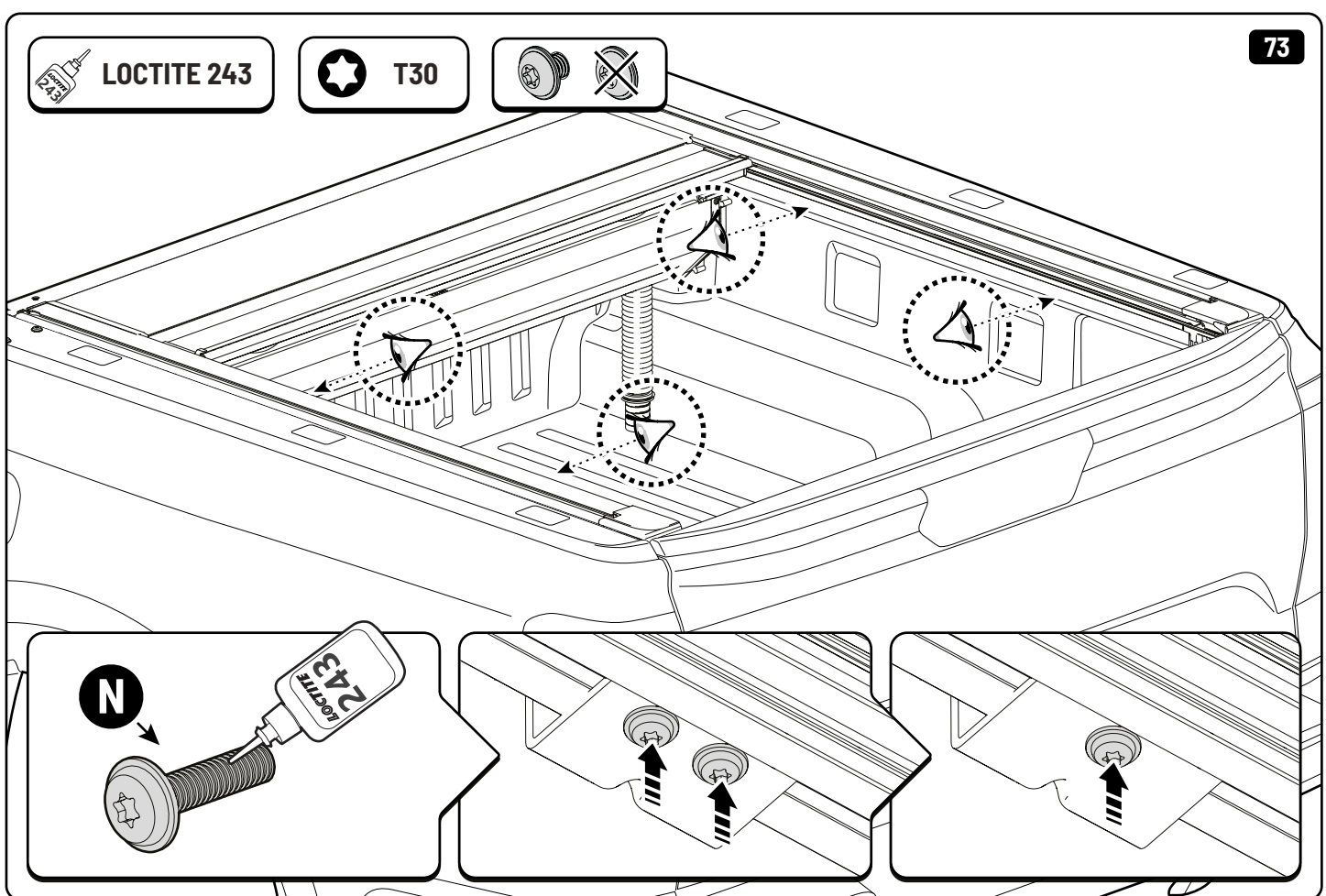
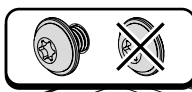
LOCTITE 243

T30

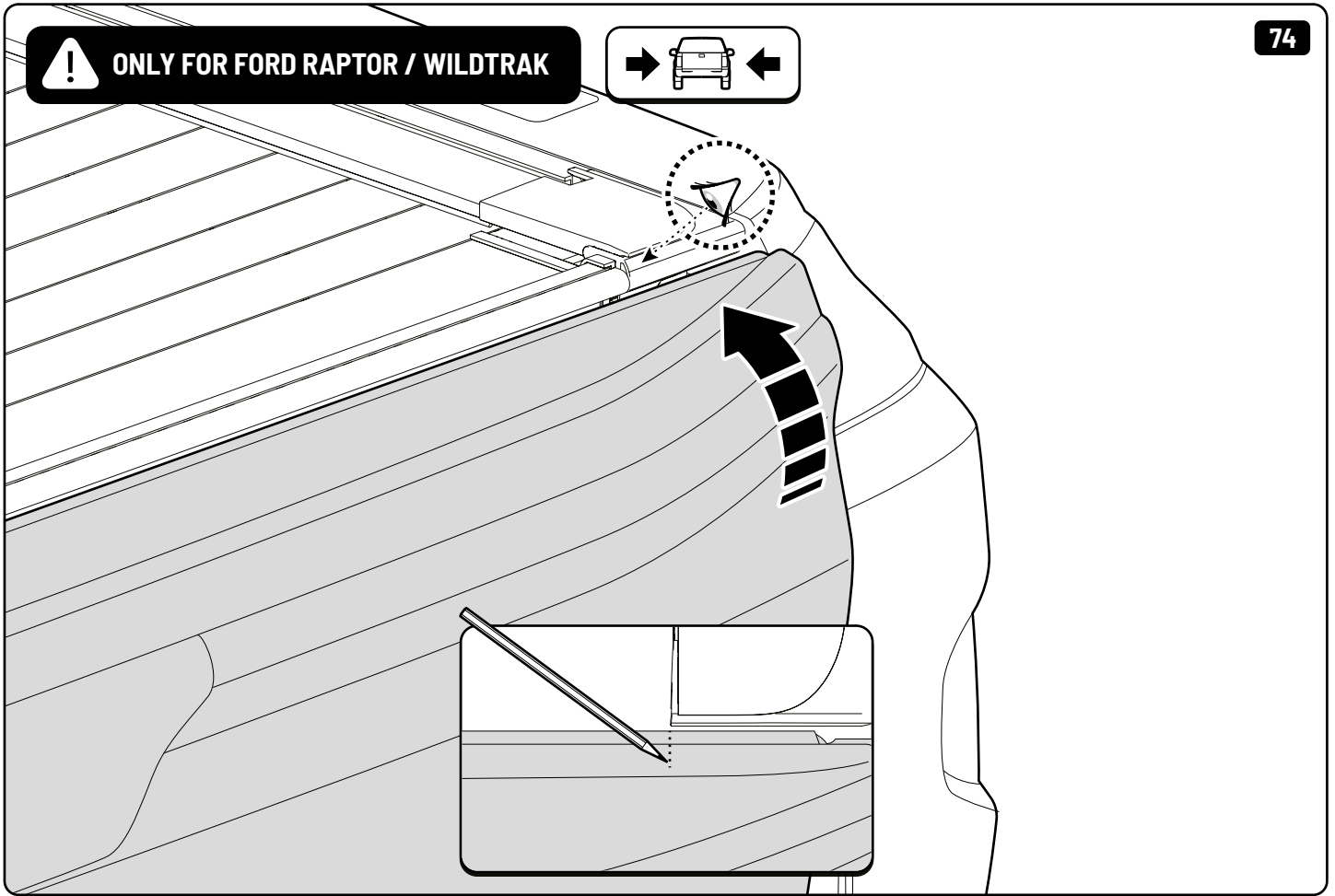
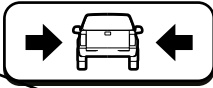


LOCTITE 243

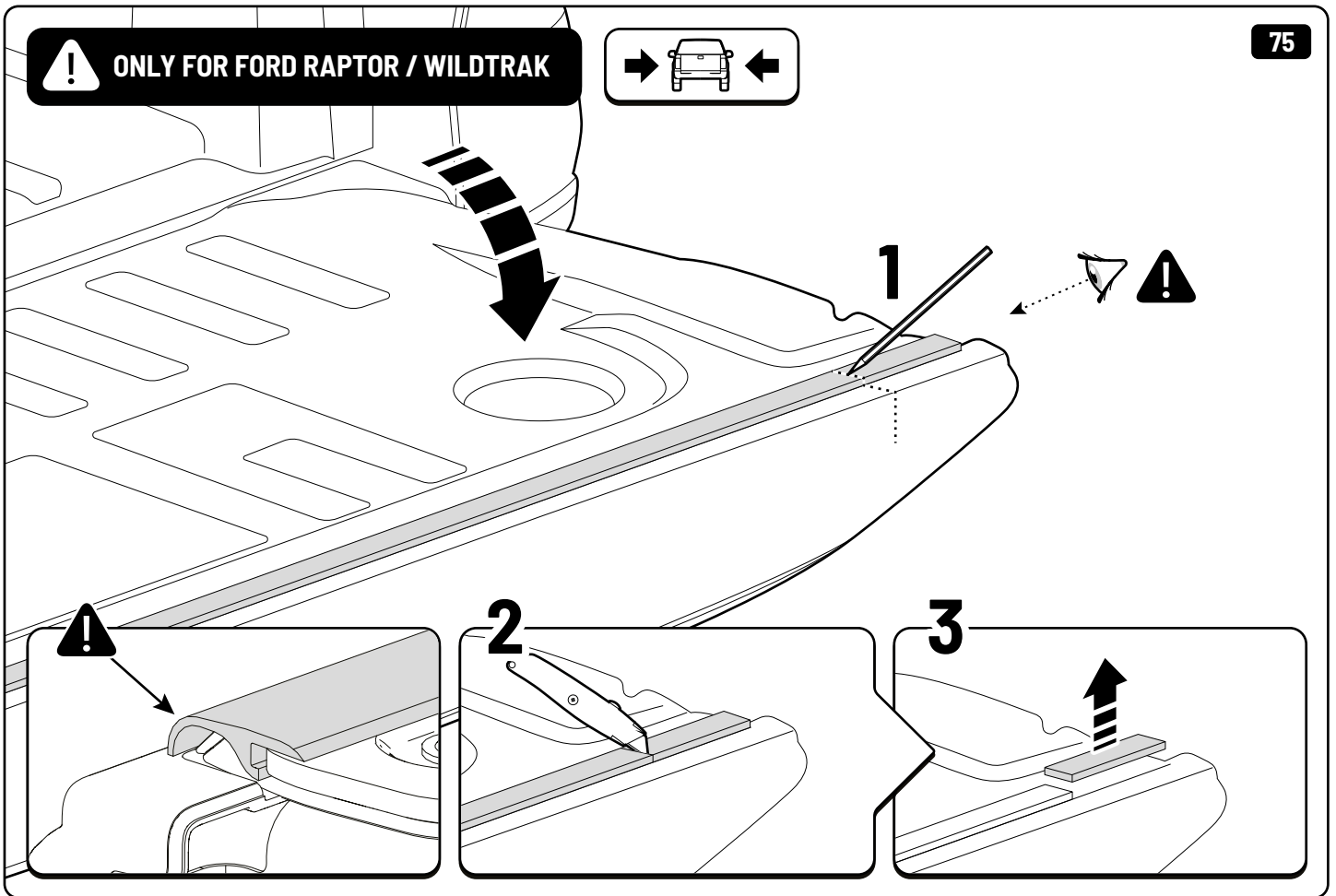
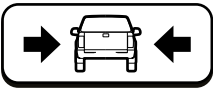
T30

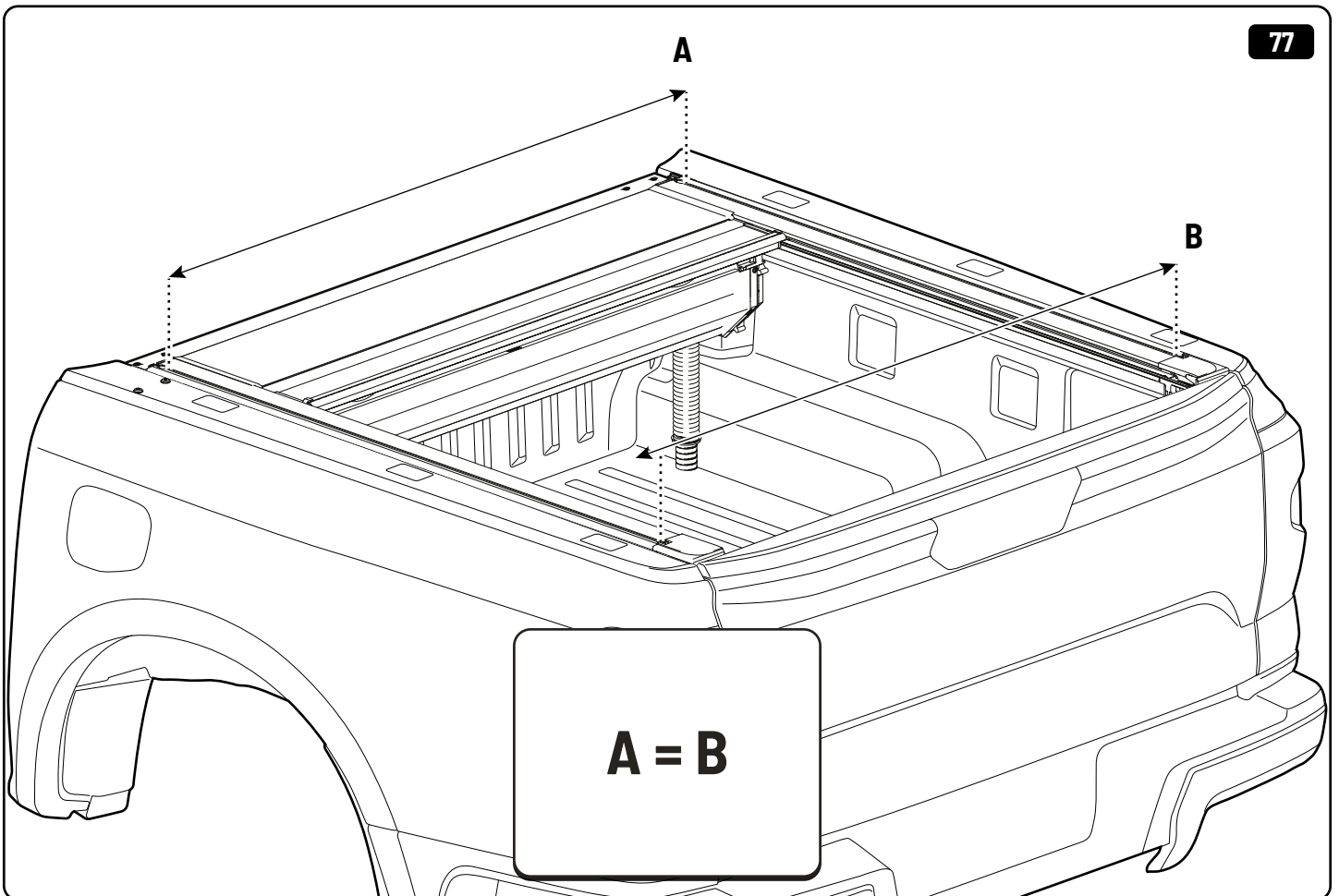
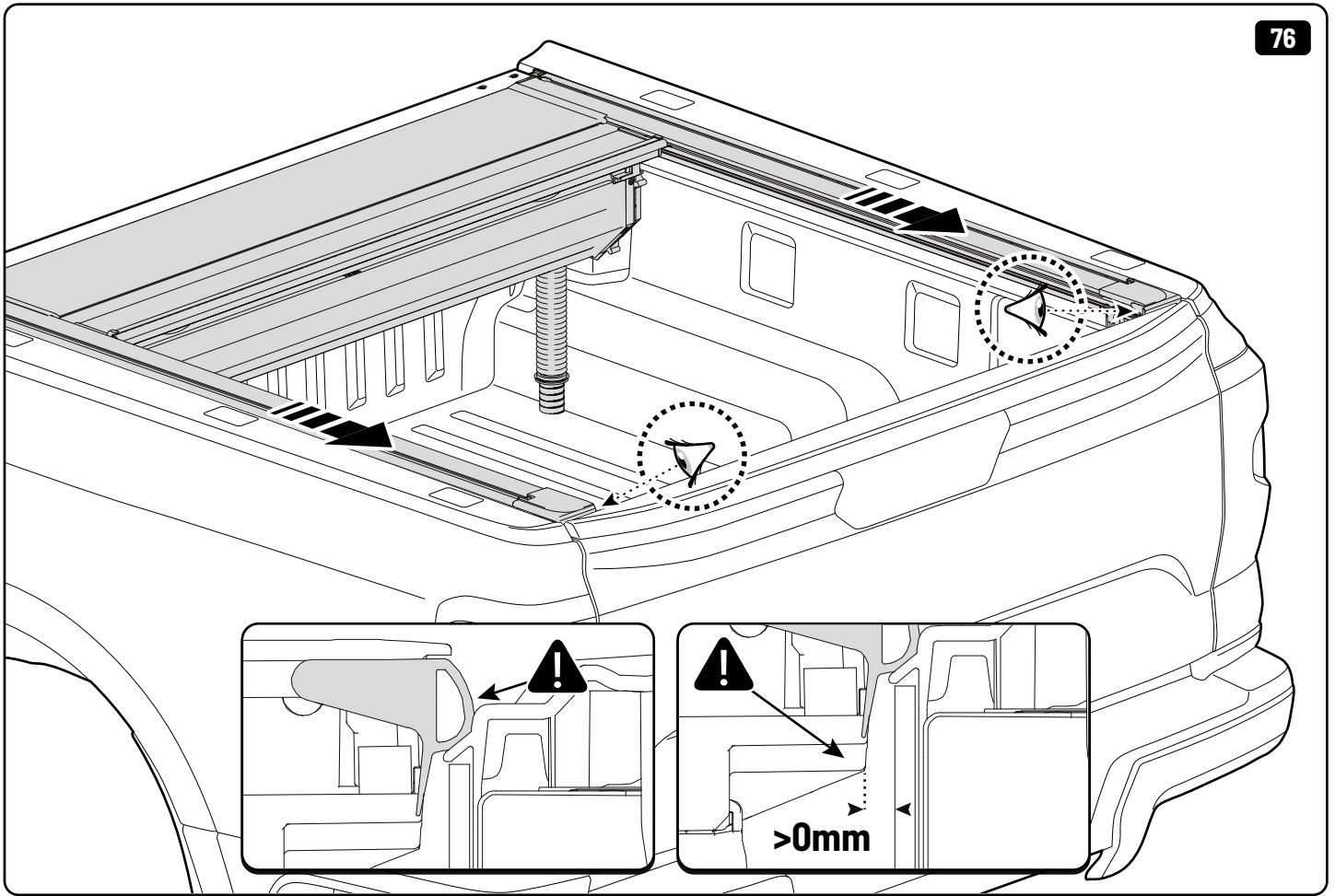


! ONLY FOR FORD RAPTOR / WILDTRAK

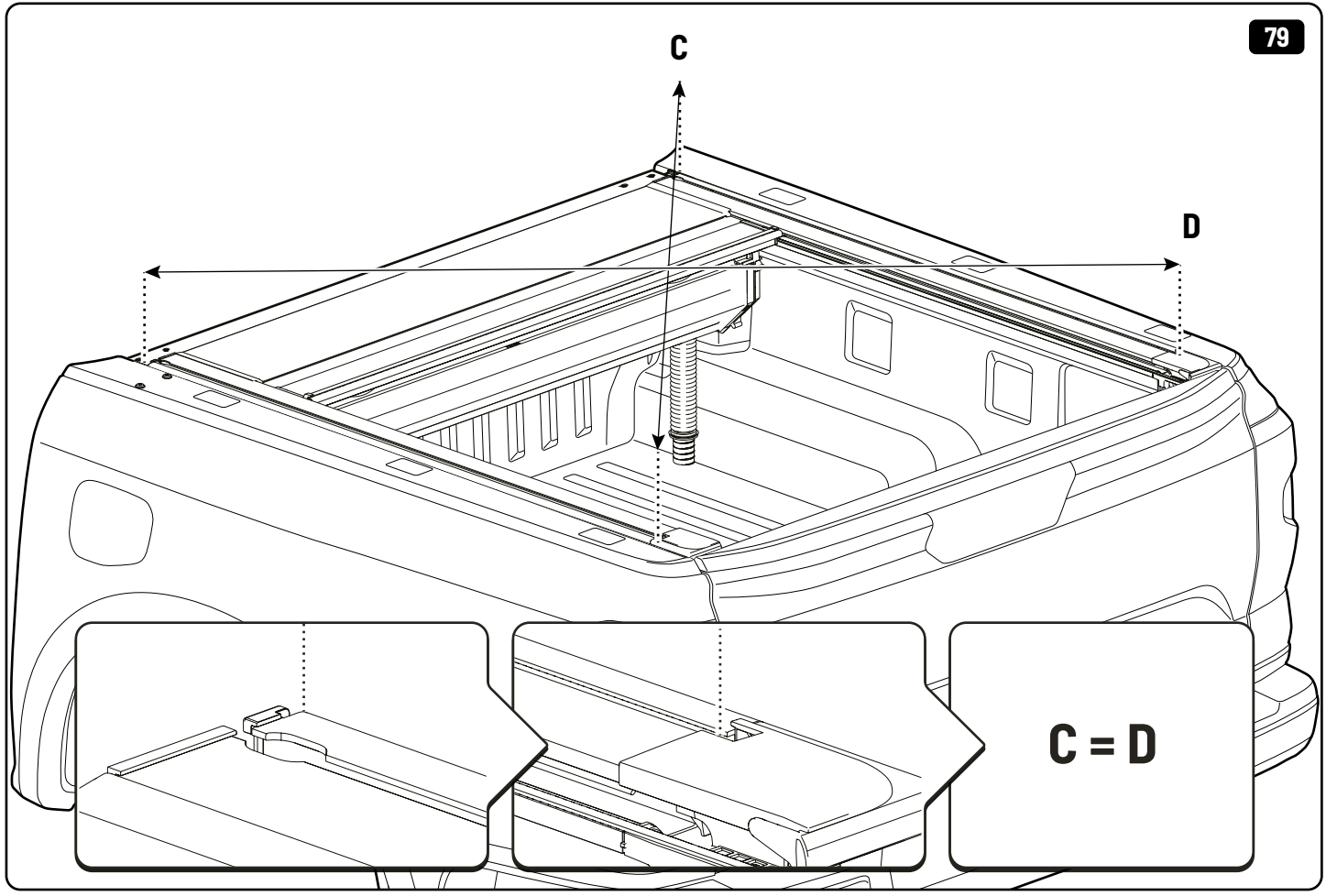
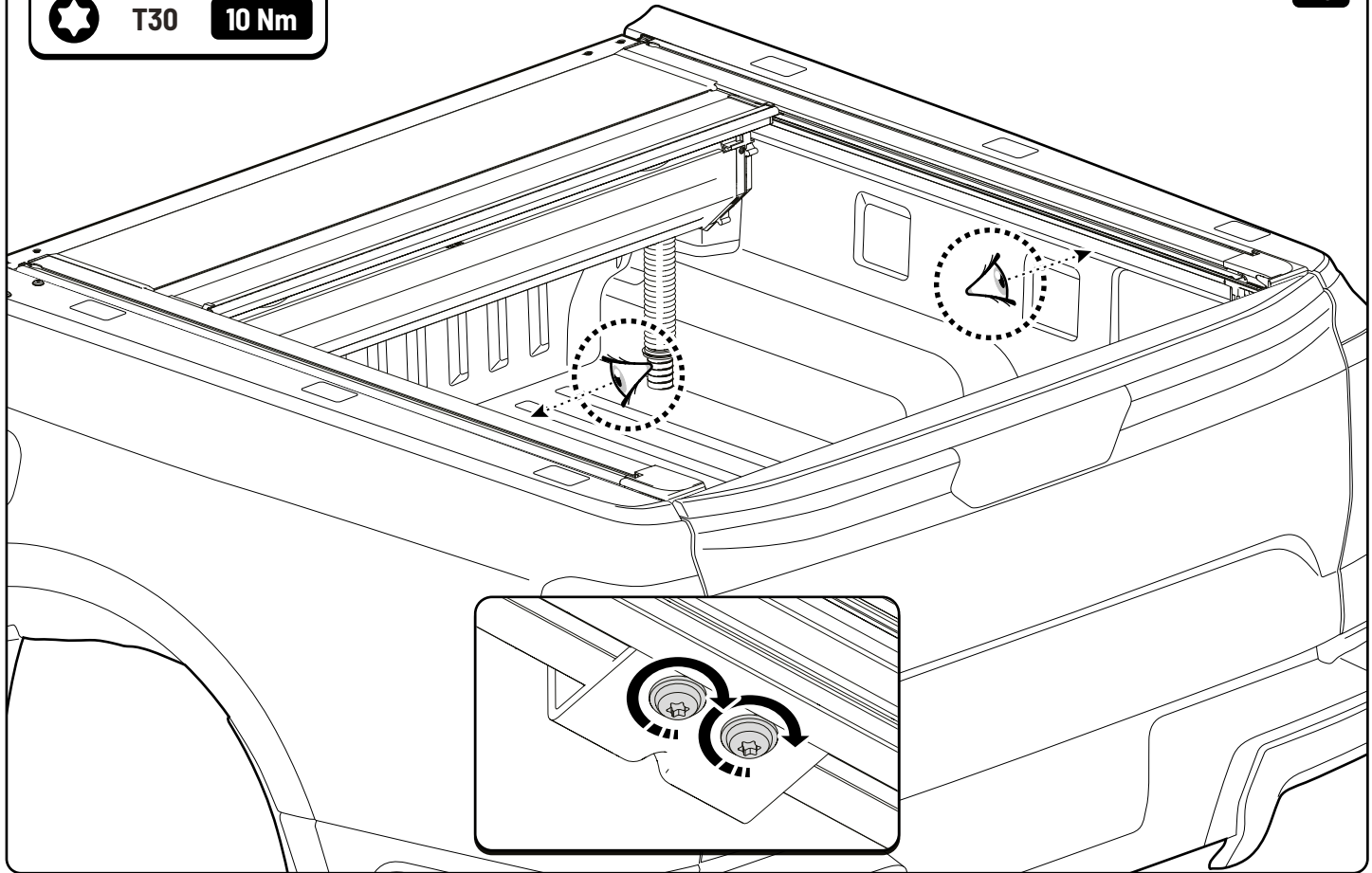


! ONLY FOR FORD RAPTOR / WILDTRAK





 T30 10 Nm

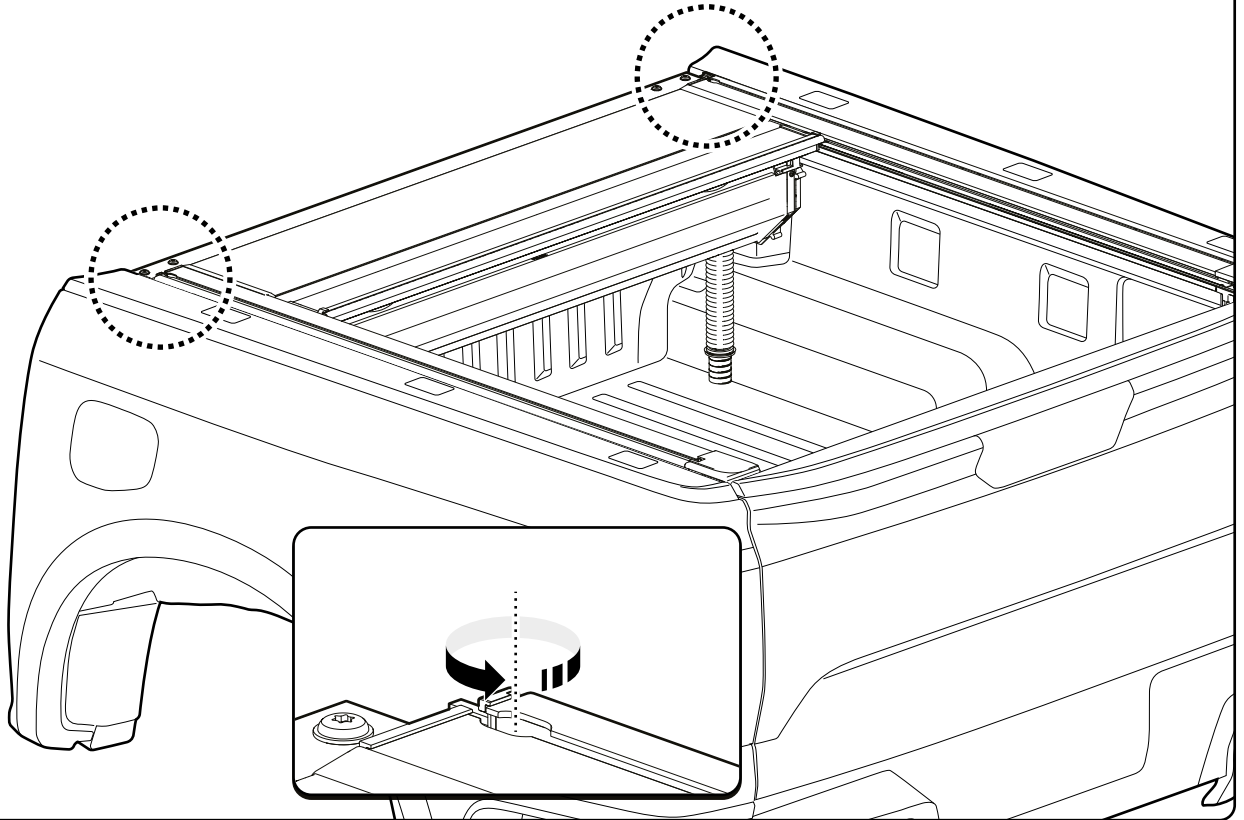




T30

4,8 Nm

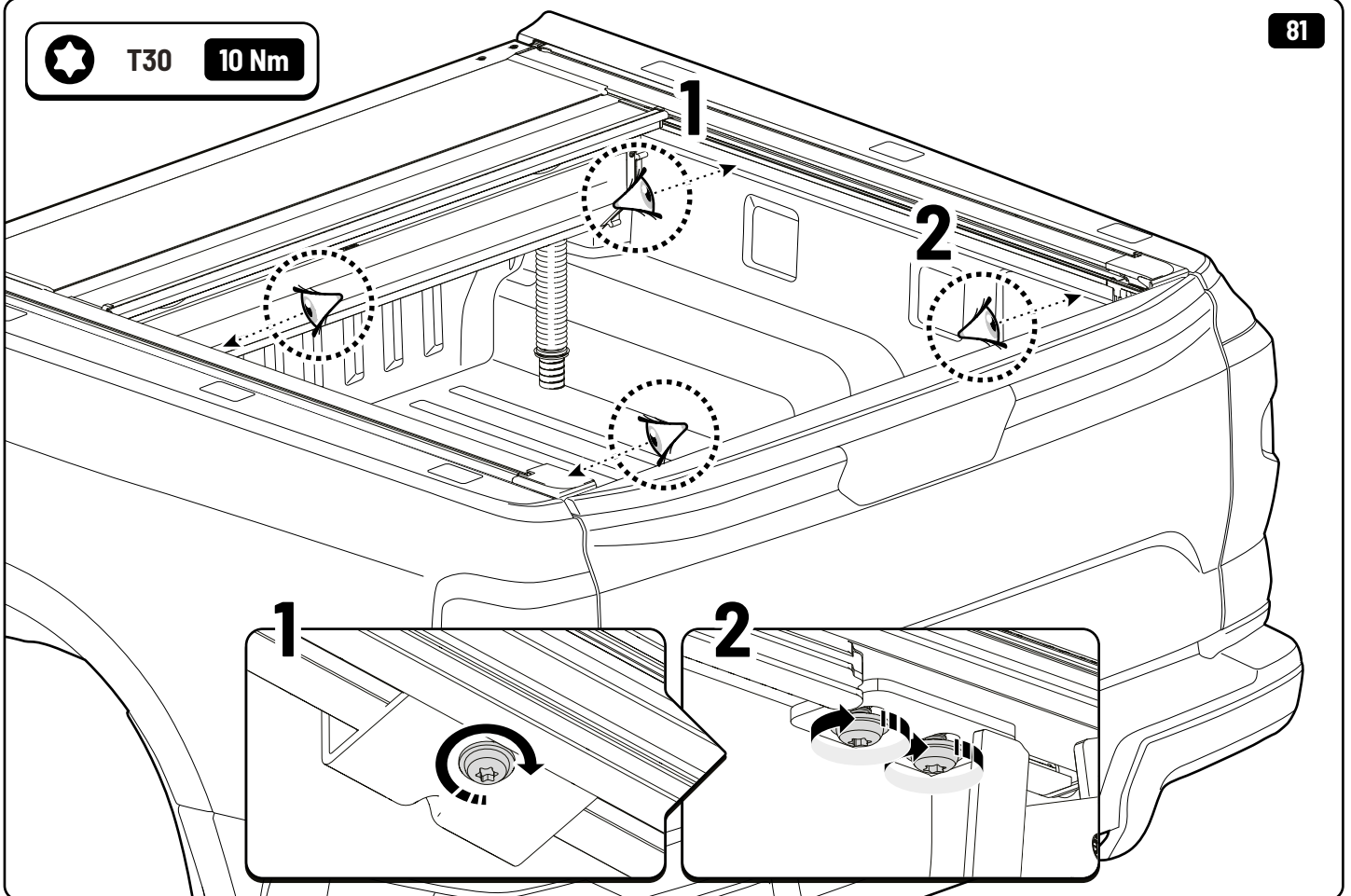
80

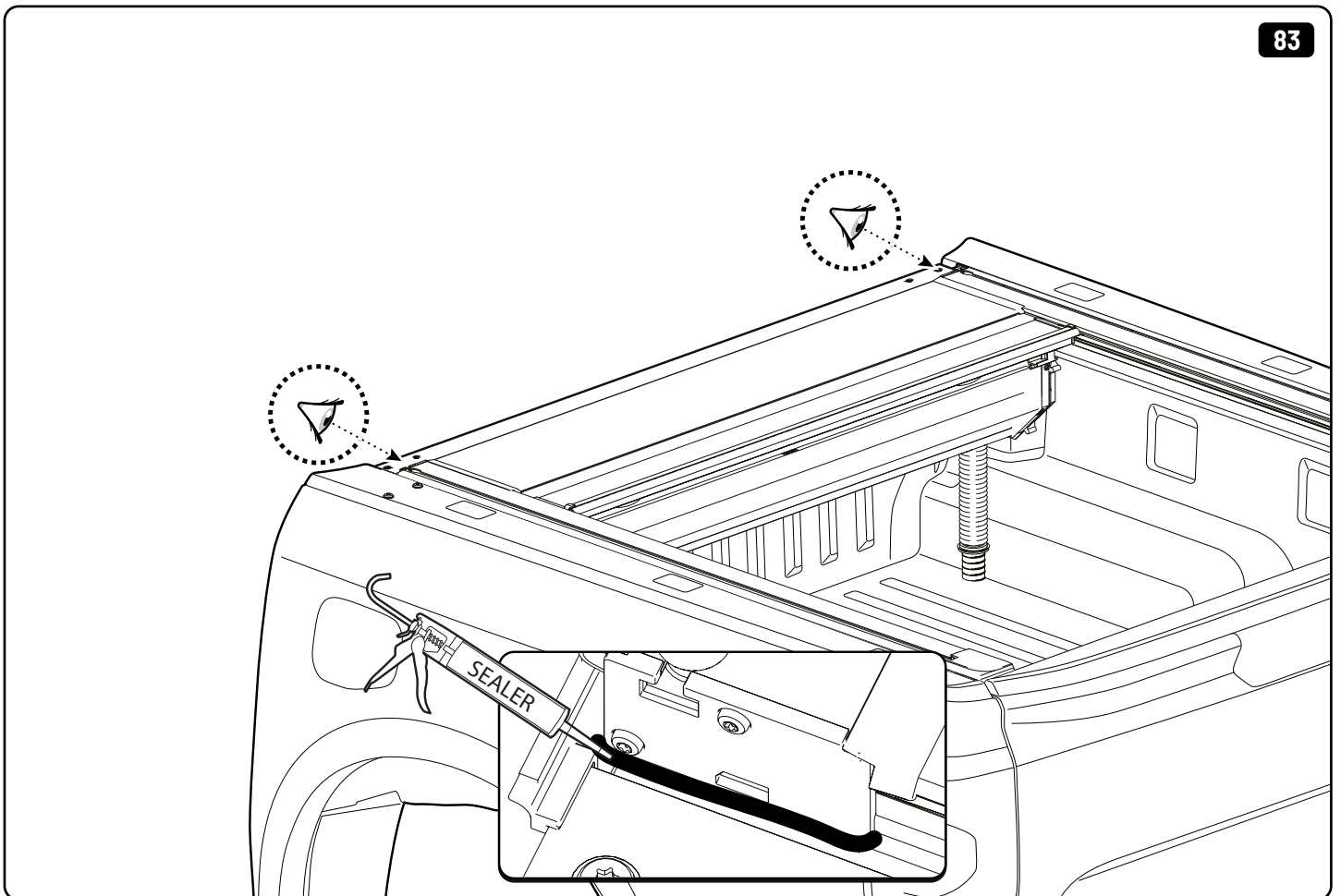


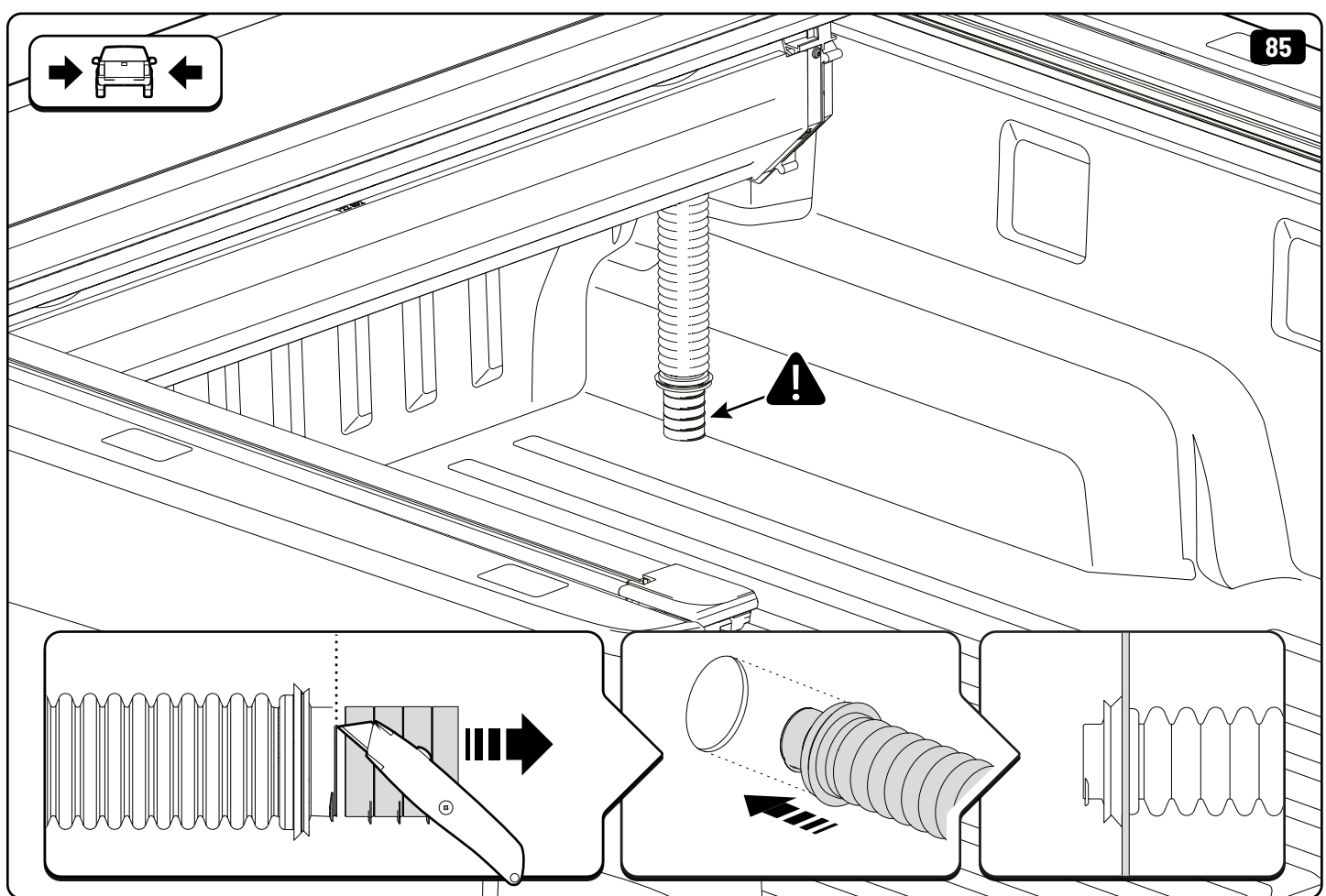
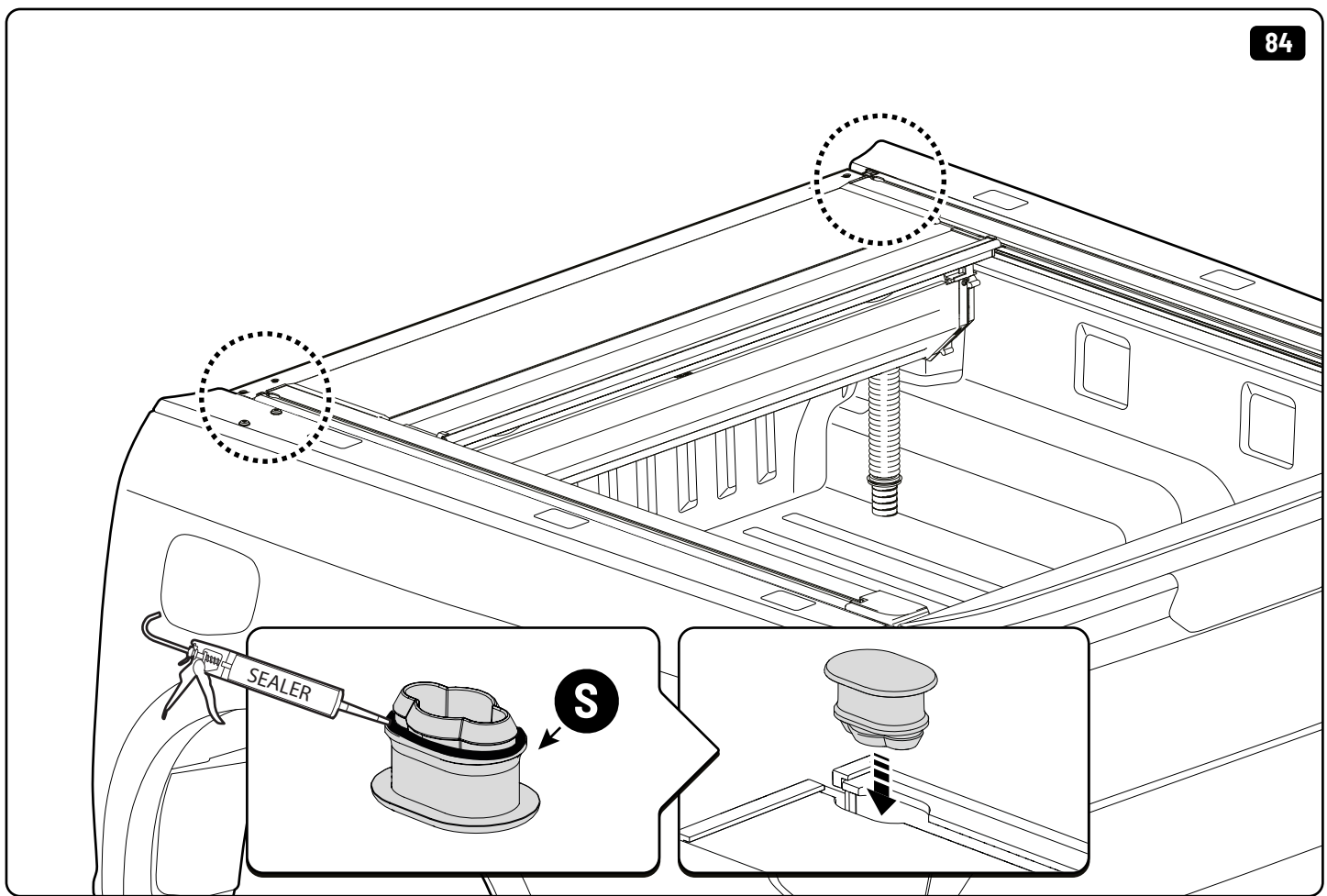
T30

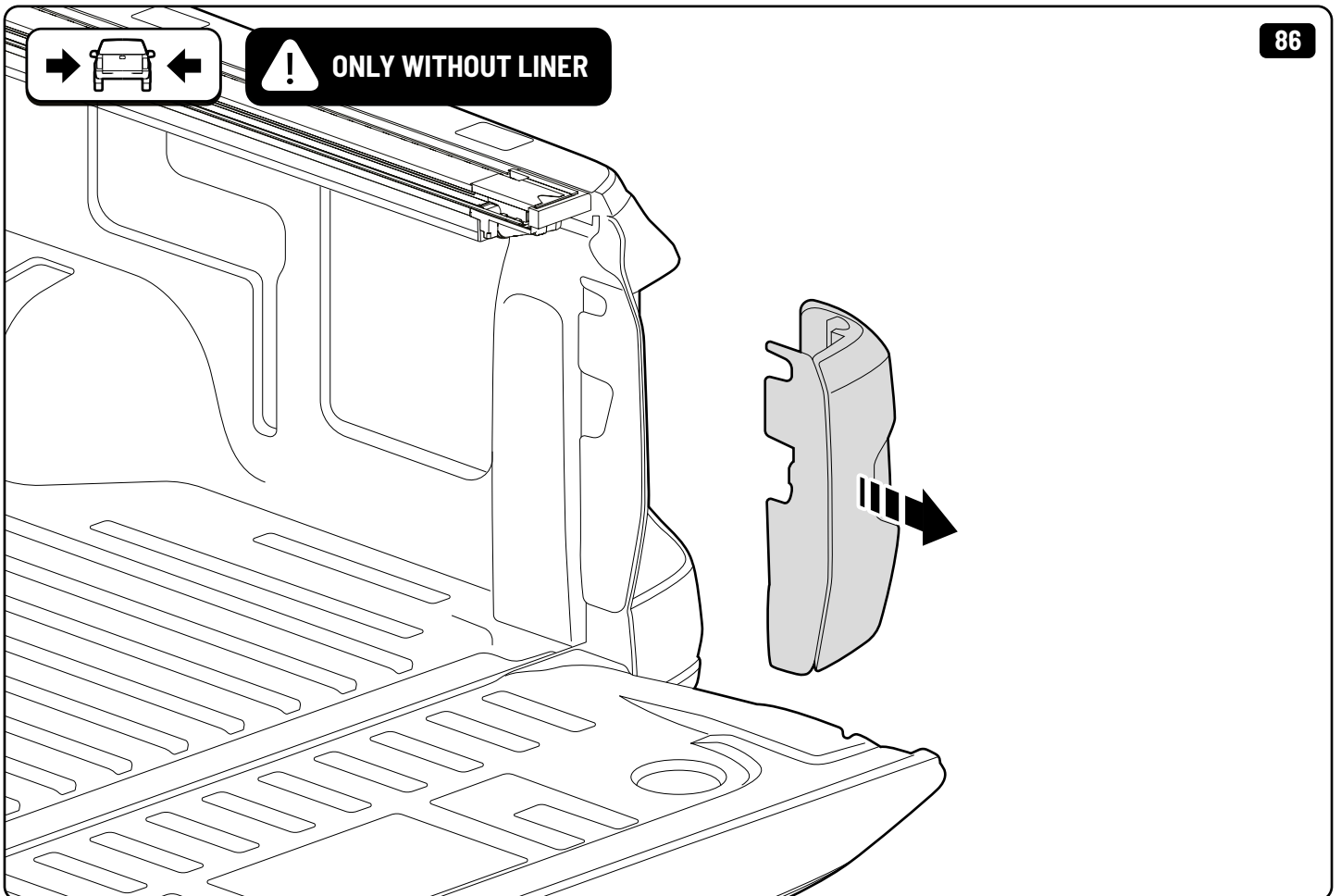
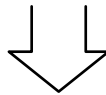
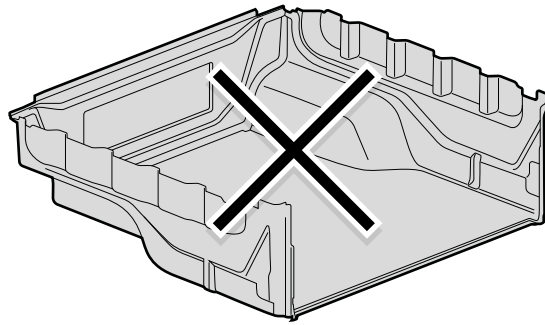
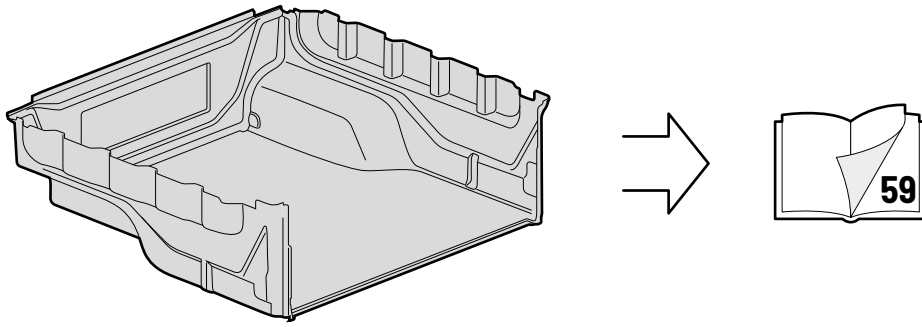
10 Nm

81



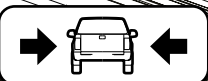
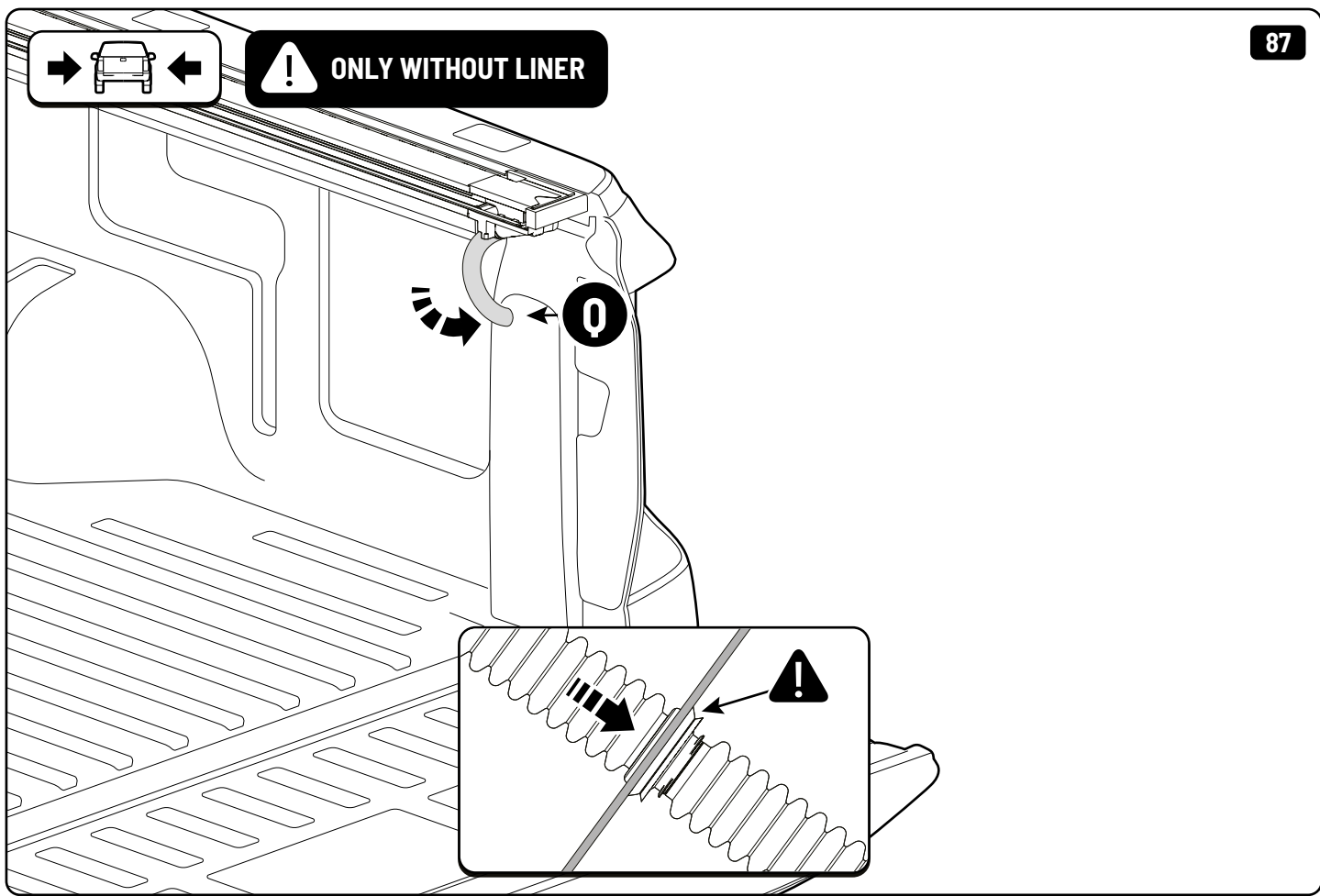




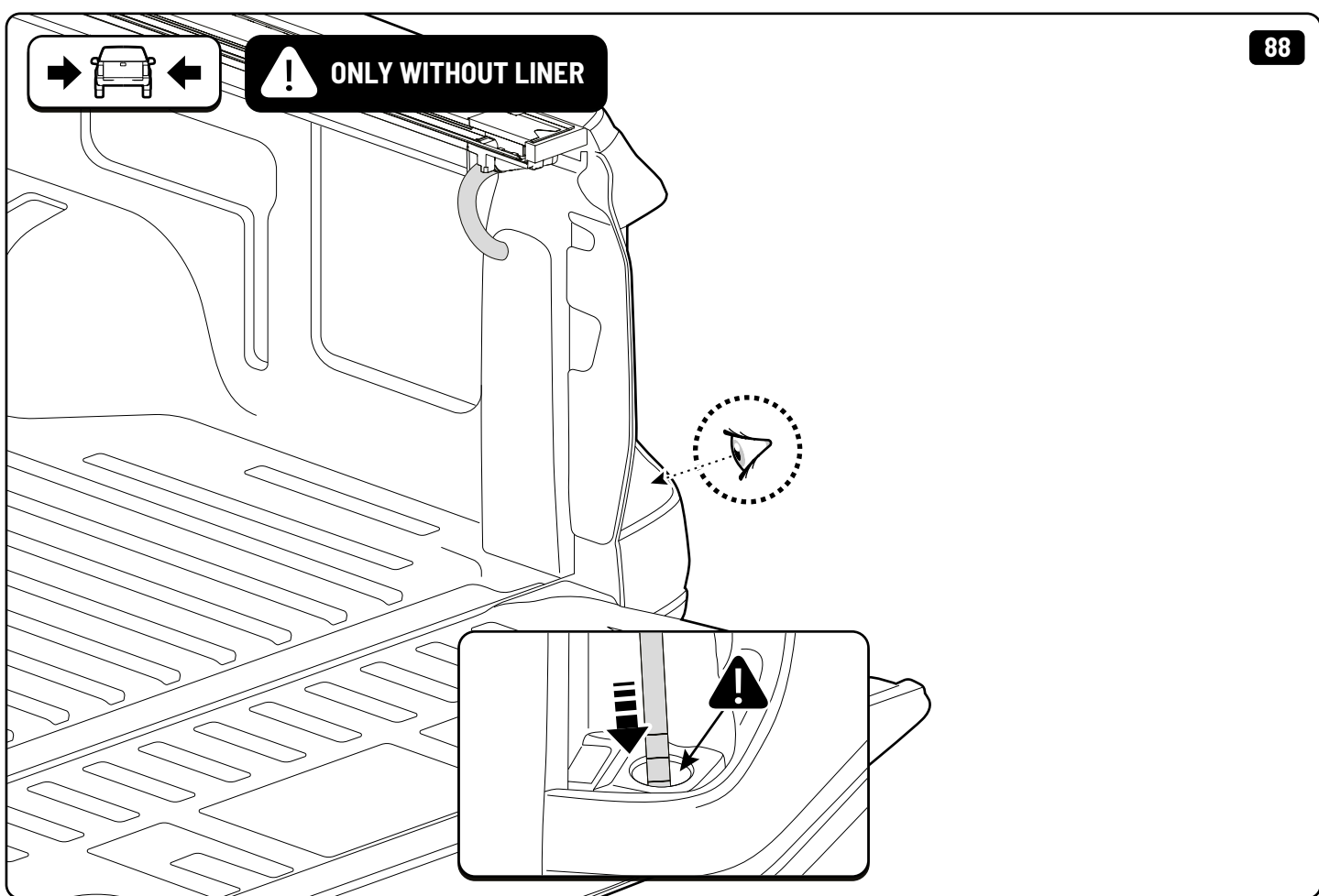




! ONLY WITHOUT LINER

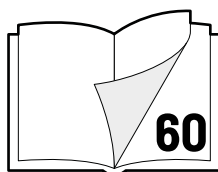
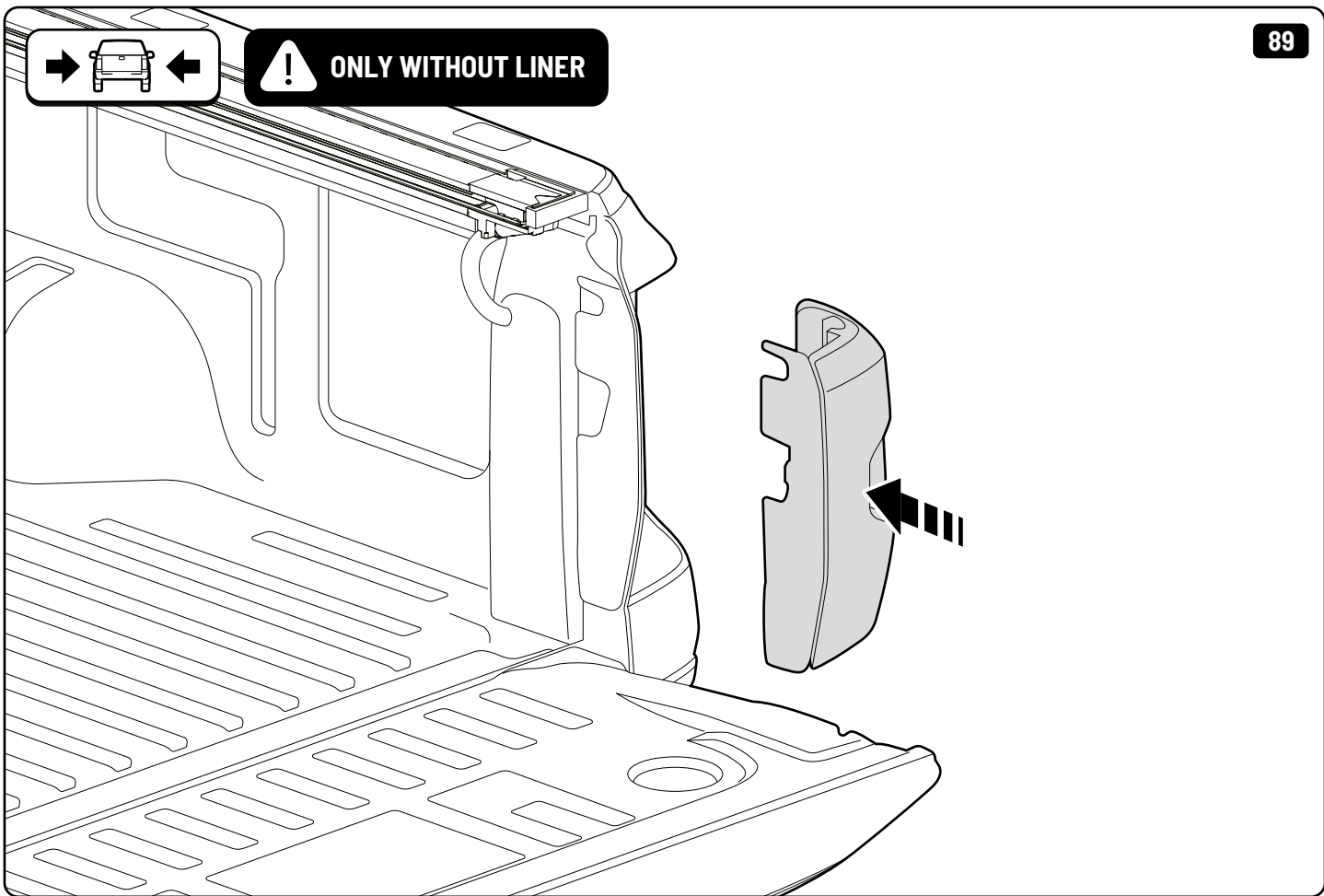


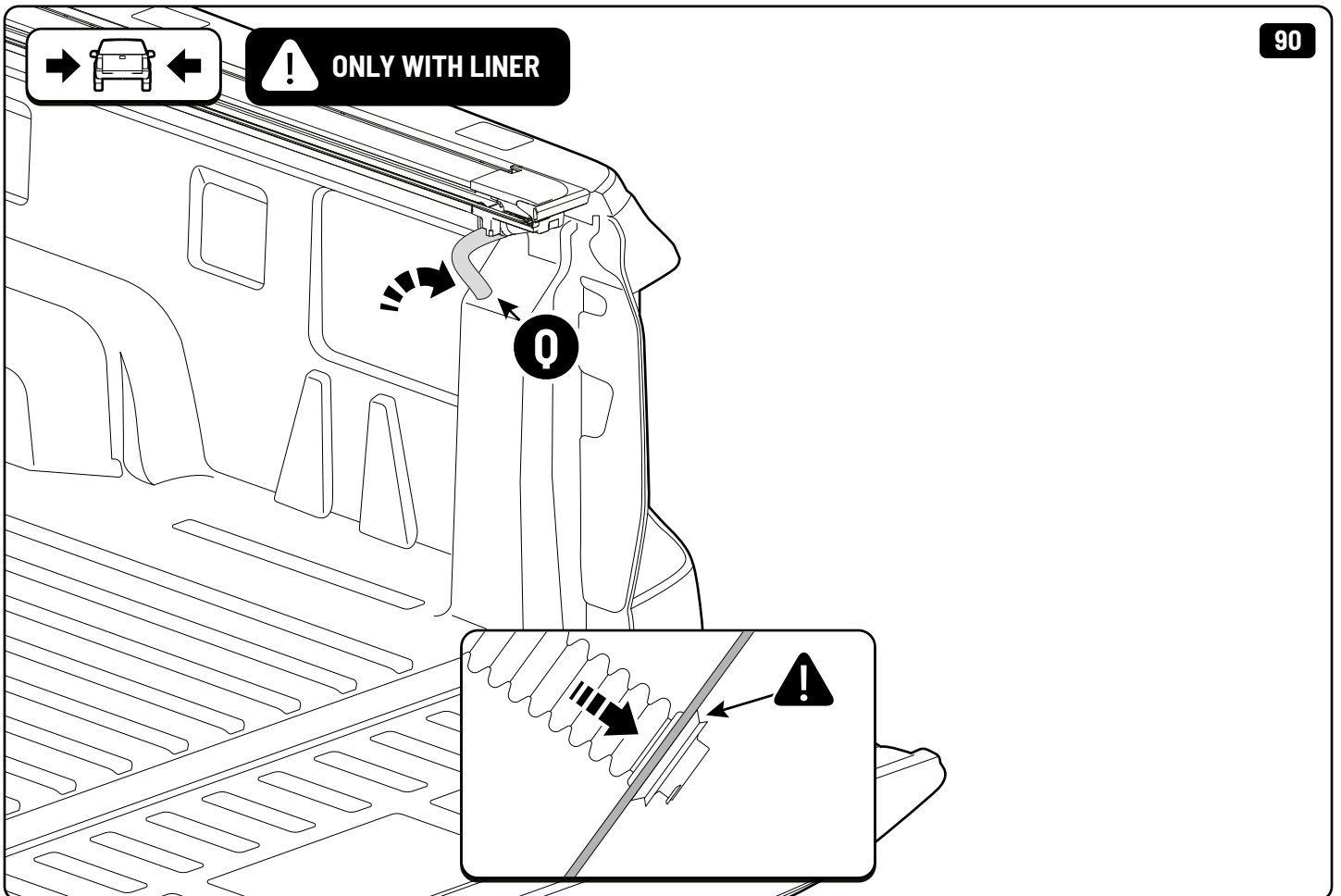
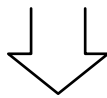
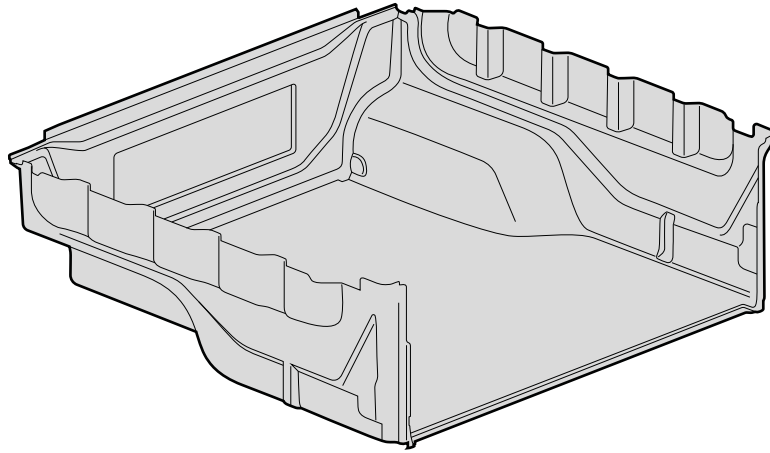
! ONLY WITHOUT LINER





! ONLY WITHOUT LINER

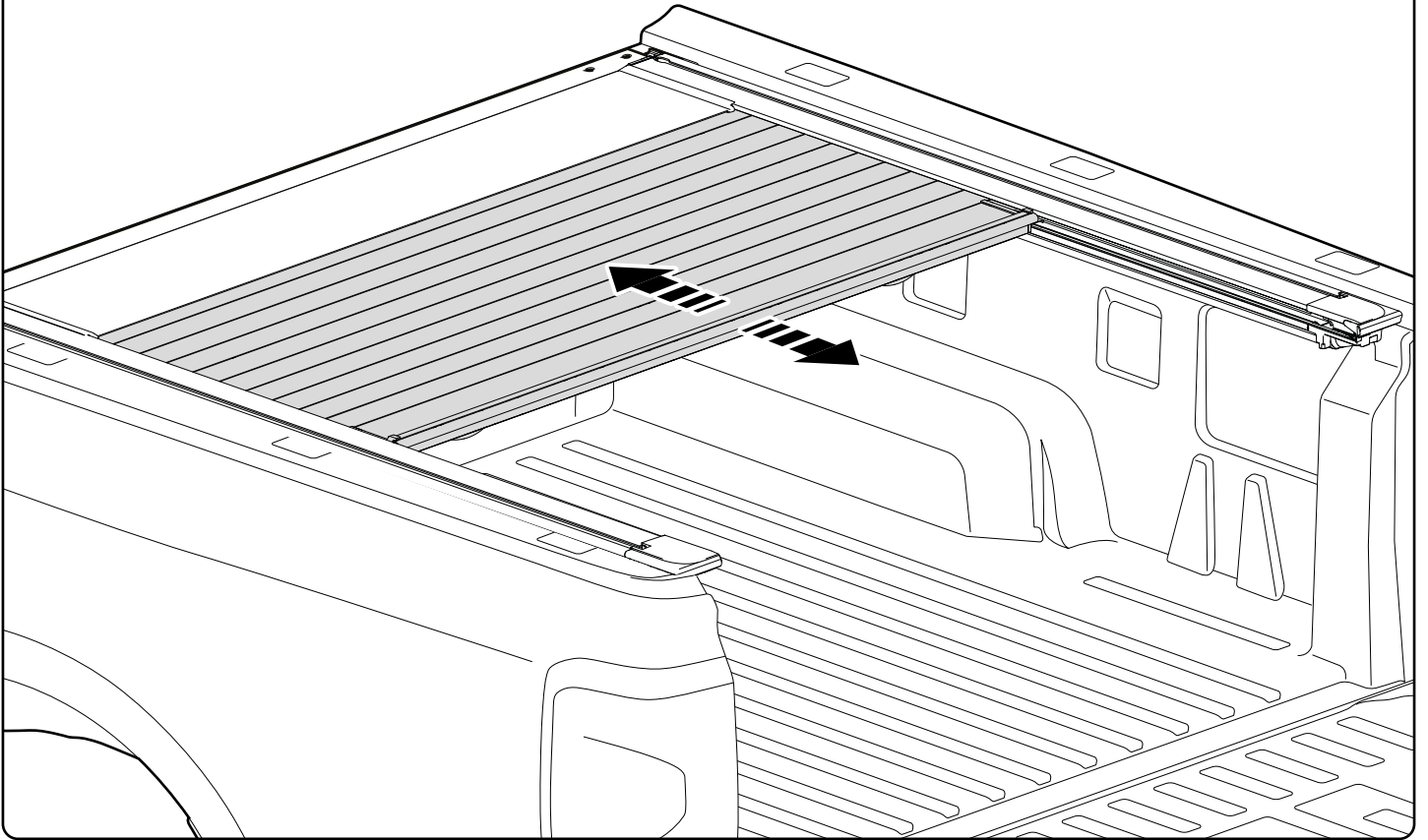




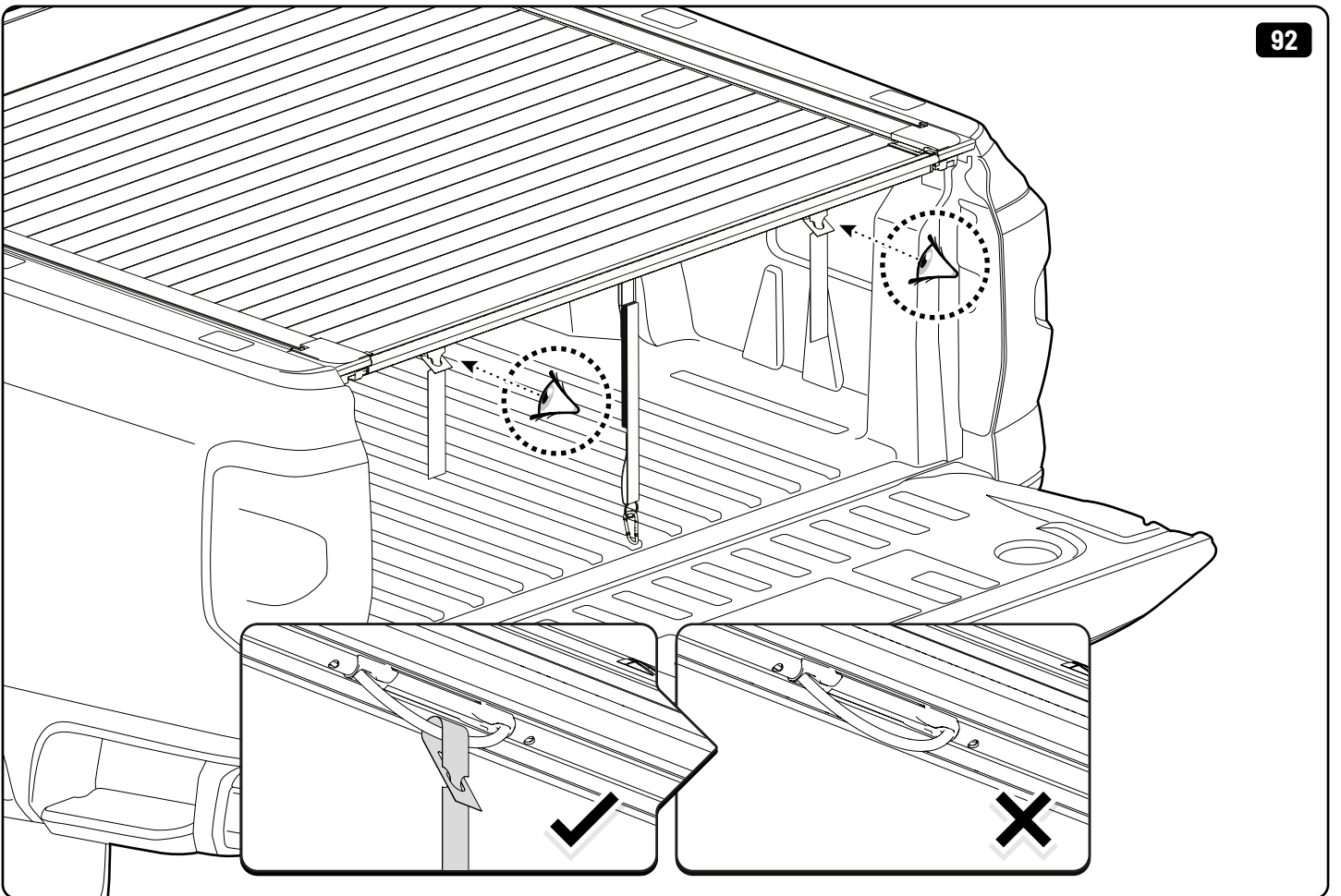


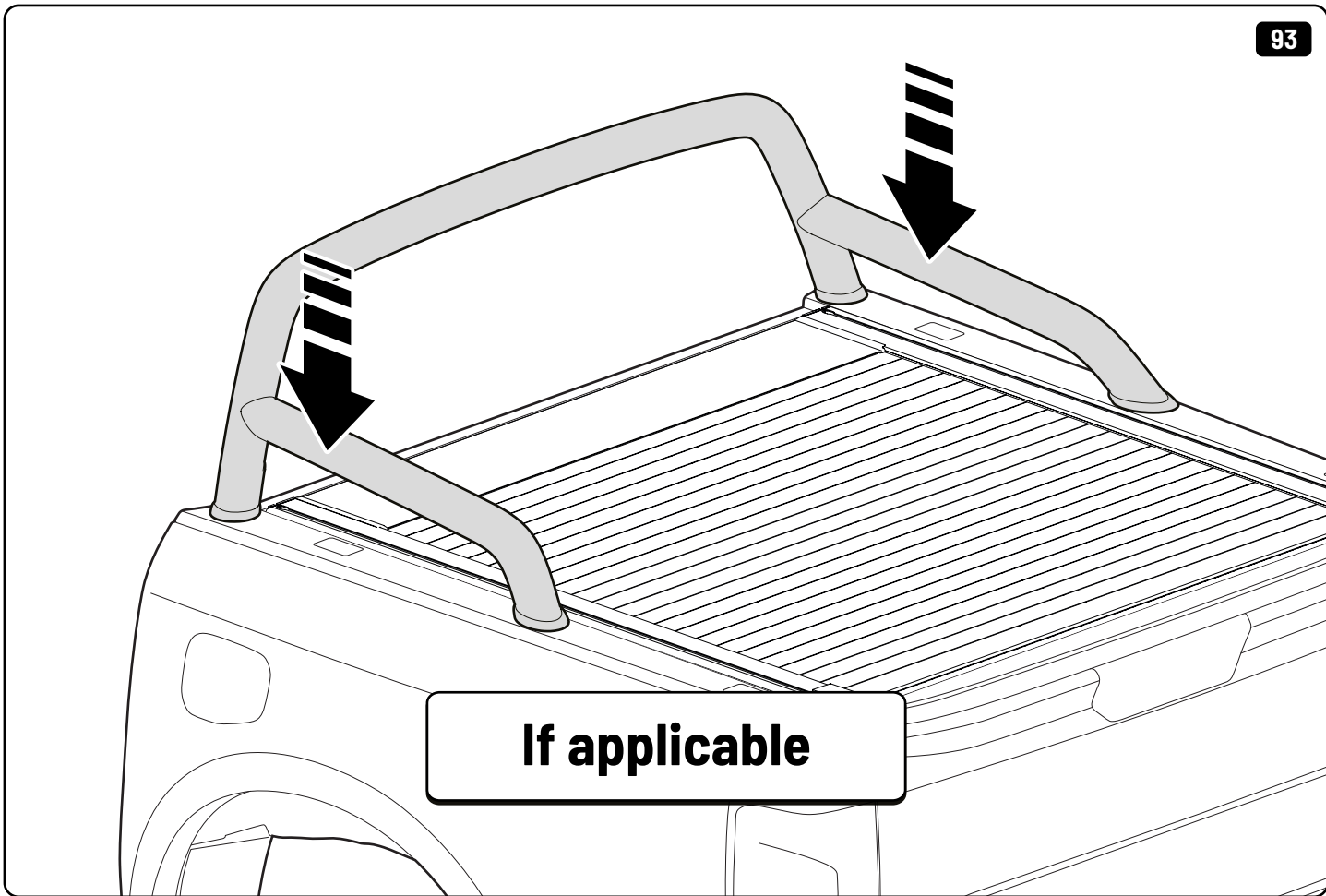
Check operation of Roller Shutter

91



92





If applicable



Steps	Page	Done by
Mounting gliding rail in canister	12-13	
Holes for drain	23-25 / 27-29	
Width + Cross measurement	51+52	
Tightening bracket screws	52-54	
Mounting drain	55 + 56-58 / 59	
Check operation of Roller Shutter	60	



Customer Service +45 4810 2950 (08:00 - 16:00 CET)
Support info@mountaintop.dk
Website www.mountaintop.dk
Address Pedersholmparken 10, 3600 Frederikssund, Denmark

Part number (s)	Model / Year	Cab type (s)	Installation time	Weight
EV0m F010 HB02	Ford Ranger/ 2022 ->	Double Cab	1 hour (s)	30 kg
EV0m F011 HB02	Ford Ranger/ 2022 ->	Rap Cab	1 hour (s)	34 kg

GB Installation manual	S Monteringsanvisning	D Einbauanleitung
SF Asennusohje	I Instrucciones de montaje	CZ Návod k instalaci
F Notice de montage	H Szerelési utasítás	I Istruzioni di montaggio
PL Instrukcja montażu	P Instruções de instalação	GR Οδηγίες Εγκατάστασης
NL Installatie-instructies	RUS Инструкция по установке	DK Monteringsvejledning
TR Montaj Talimatı	N Monteringsveiledning	RO Instructiuni de instalare