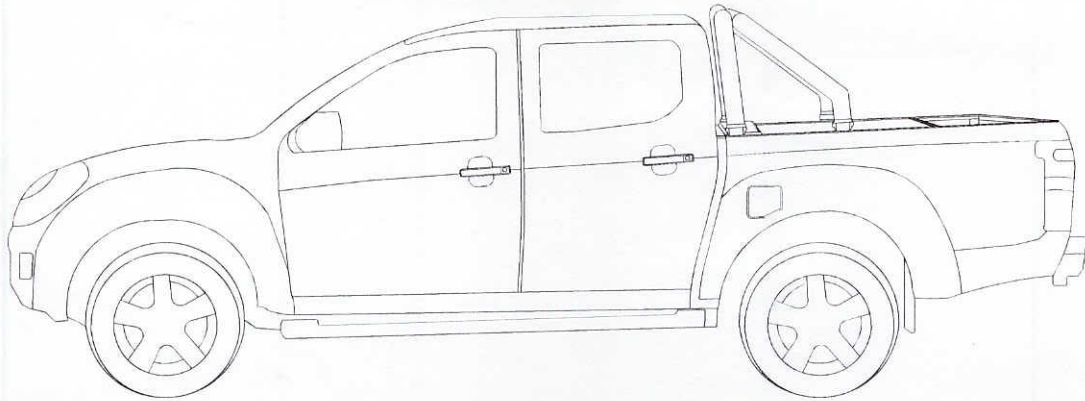


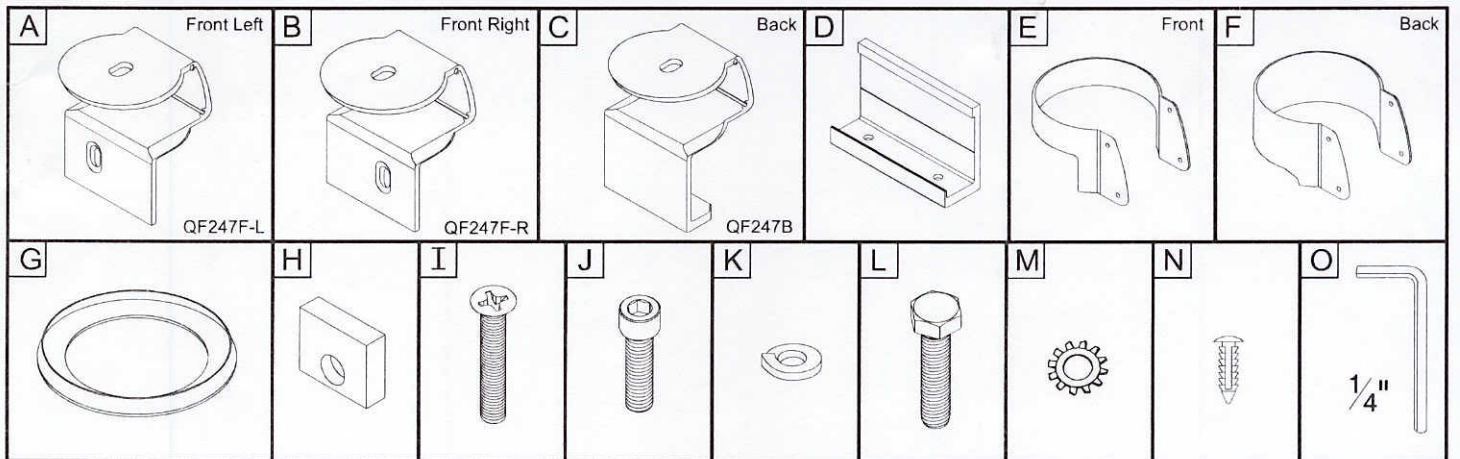
QwikFoot™

Installation Guide Isuzu D-Max - QF247

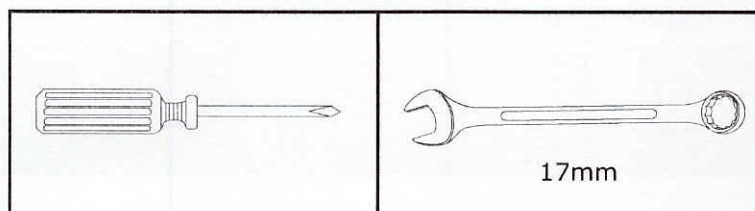


Parts List

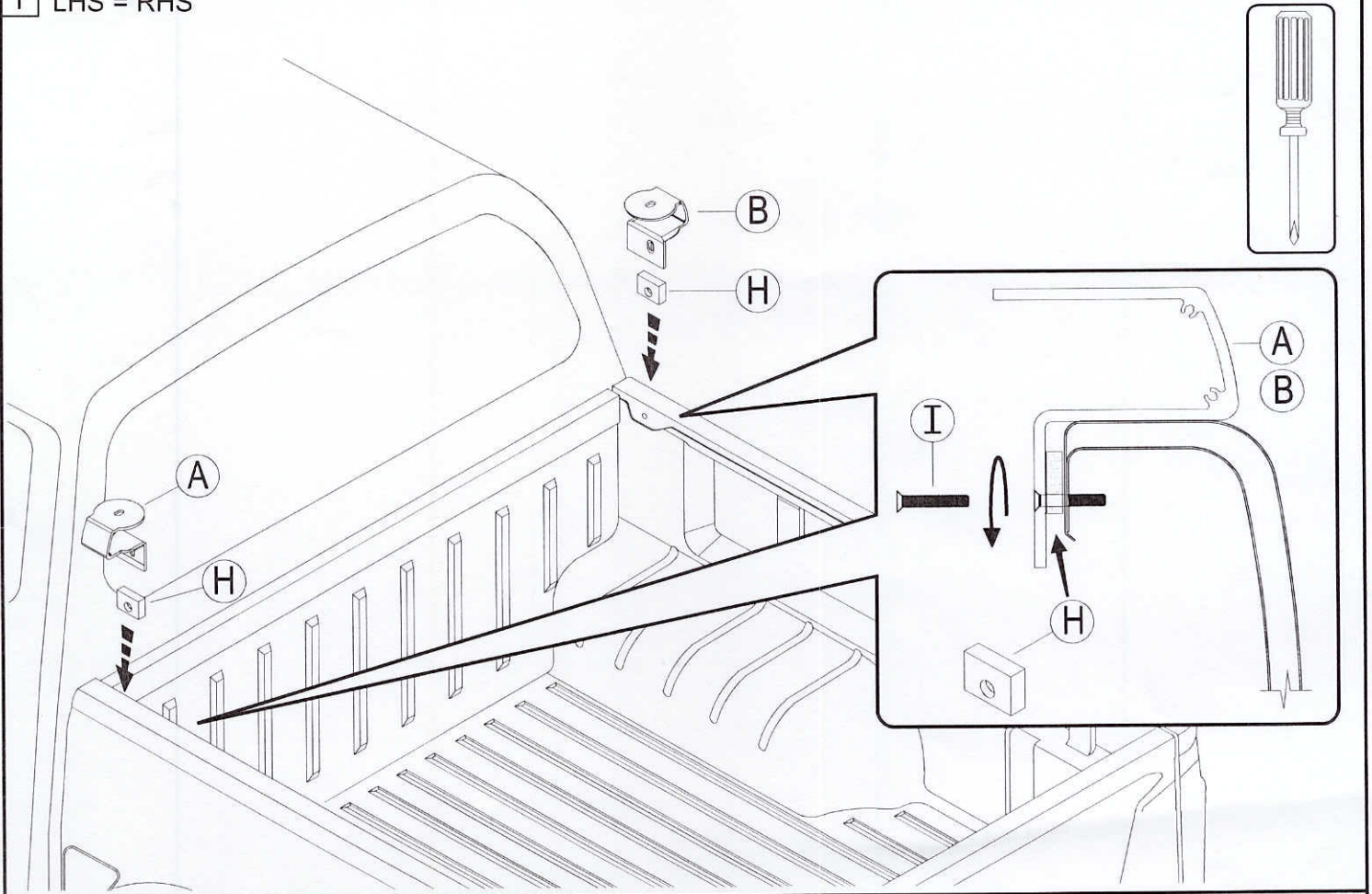
Item	Part Name	Qty.	Item	Part Name	Qty.	Item	Part Name	Qty.
A	QF247F-L	1	F	QwikFoot Sleeve (Back)	2	K	5/16" Lock Washer	4
B	QF247F-R	1	G	Trim Ring	4	L	M10 x 30mm Hex Head Screw	4
C	QF247B	2	H	Shim Block	2	M	M10 External Tooth Washer	4
D	QwikFoot Bed Clamp	2	I	M8 x 50mm Flat head	2	N	QwikFoot Tree Clip	16
E	QwikFoot Sleeve (Front)	2	J	5/16-18 Socket Screw	4	O	1/4" Allen Wrench	1



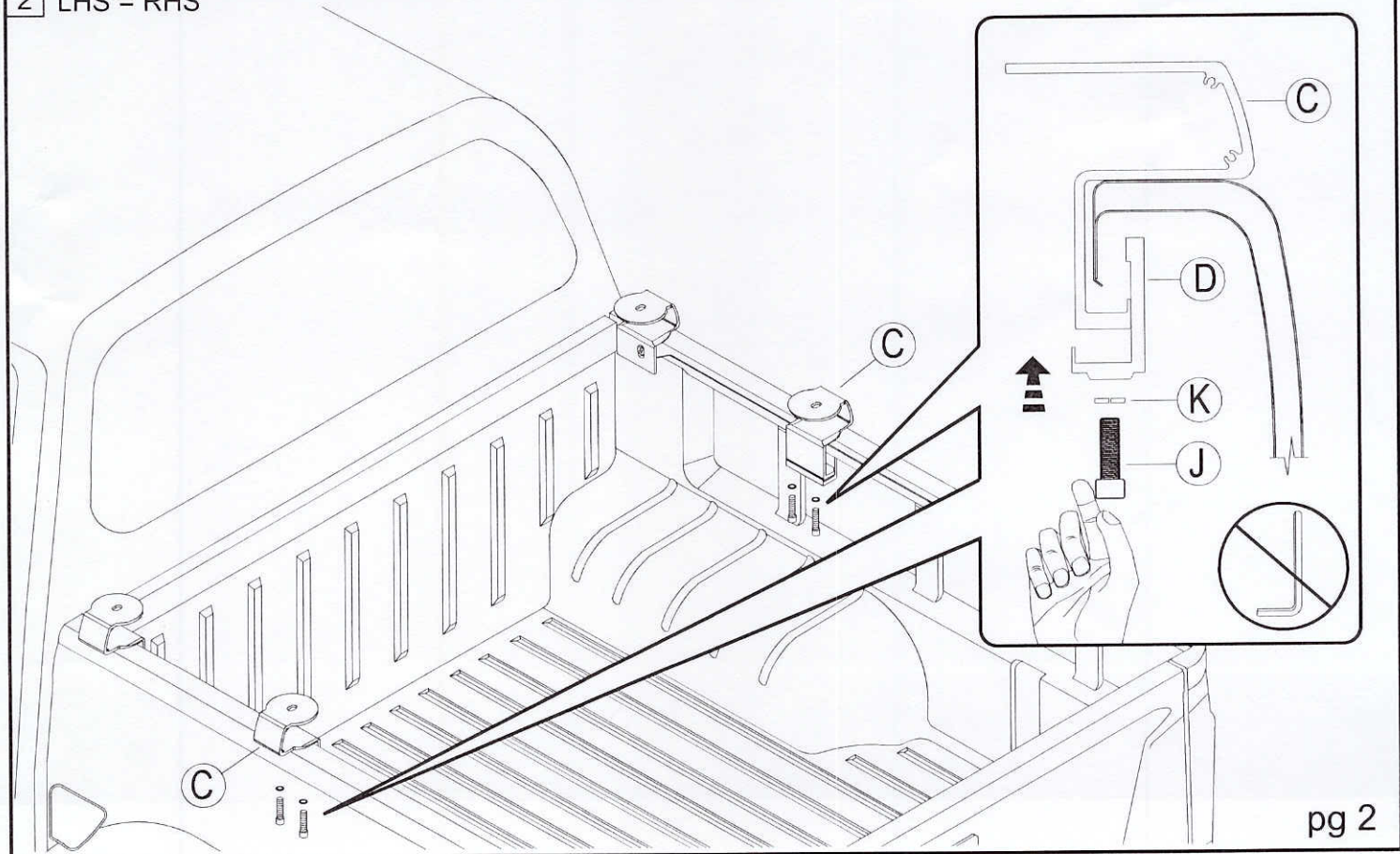
Tools Needed



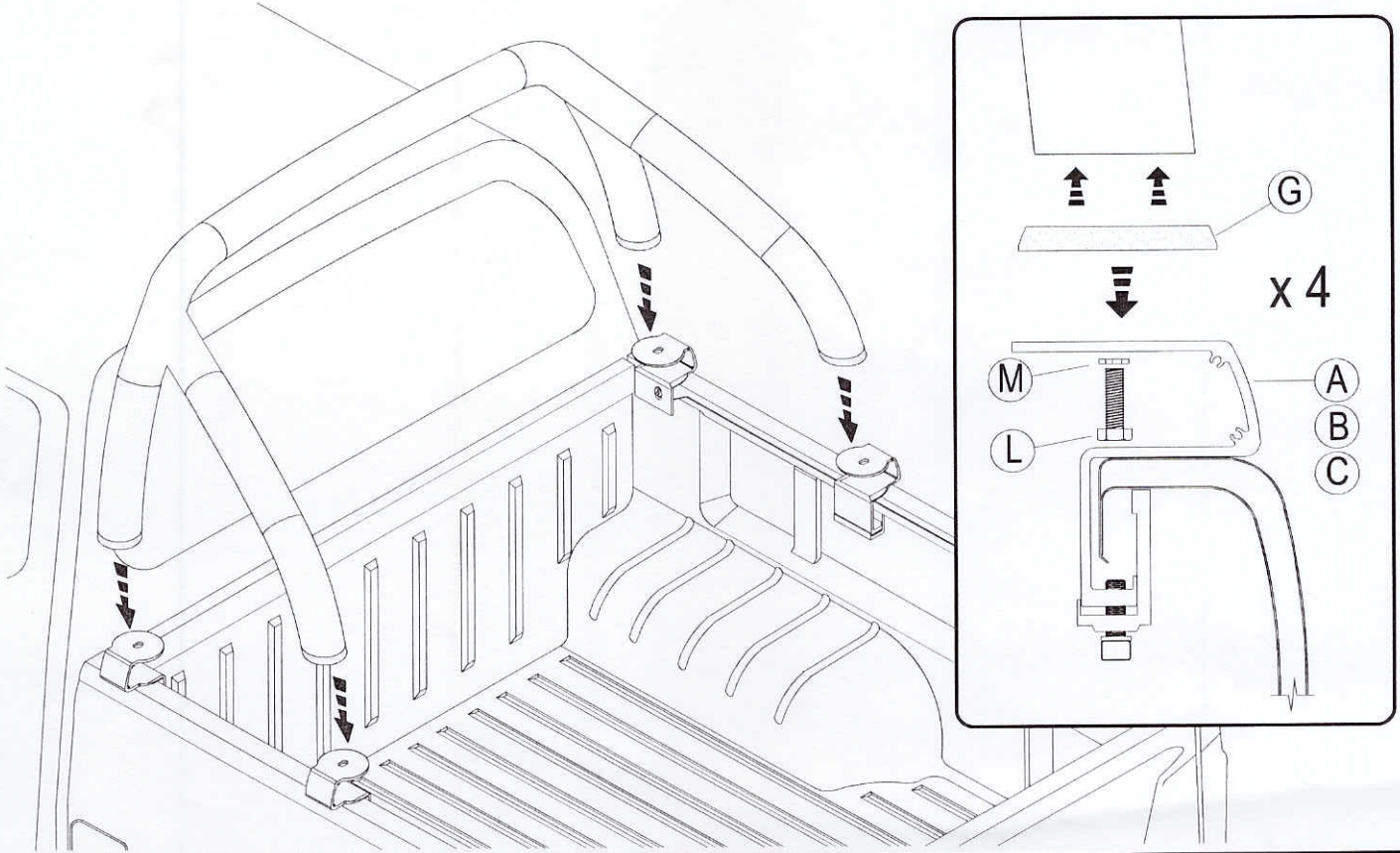
1 LHS = RHS



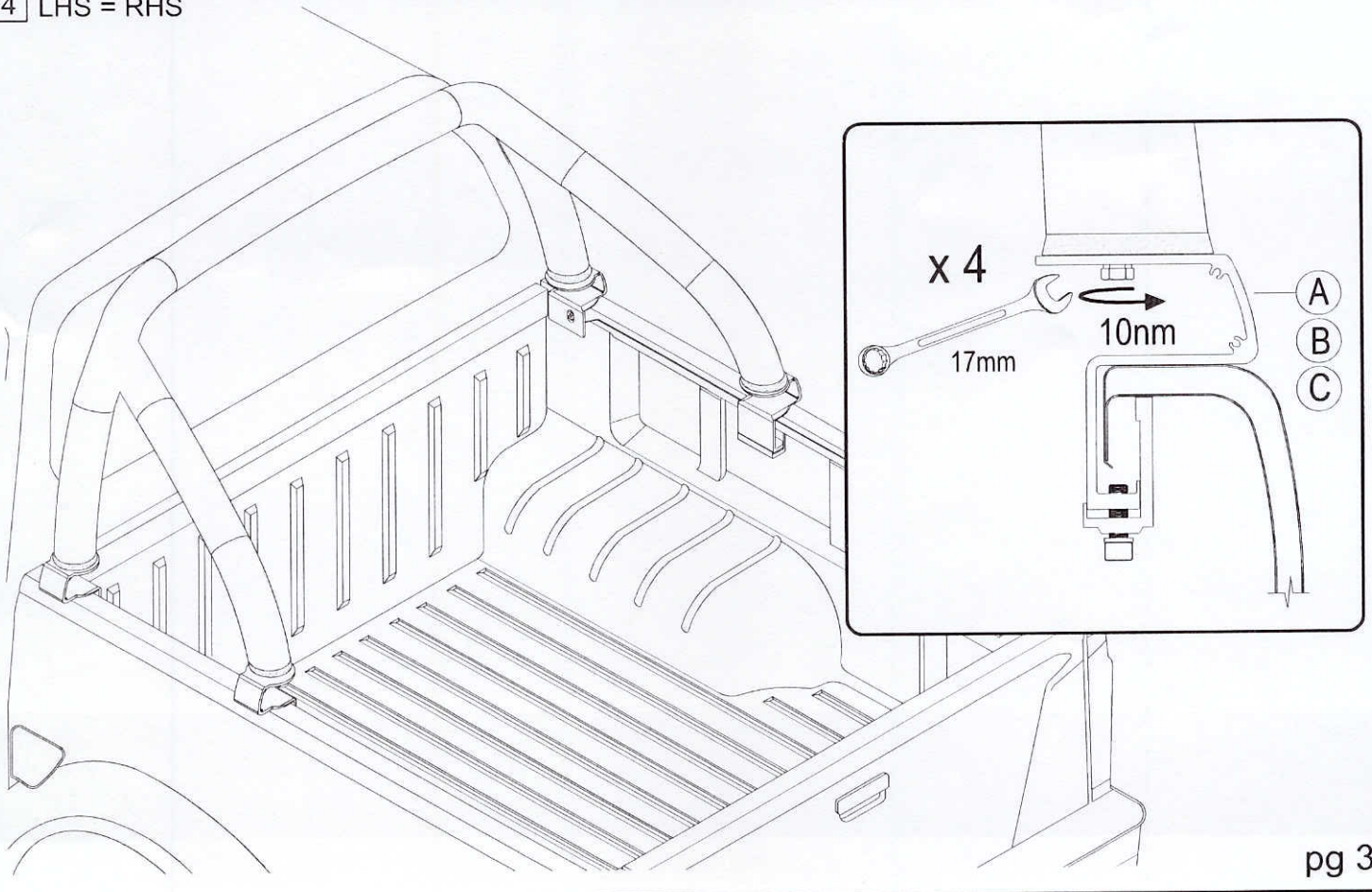
2 LHS = RHS



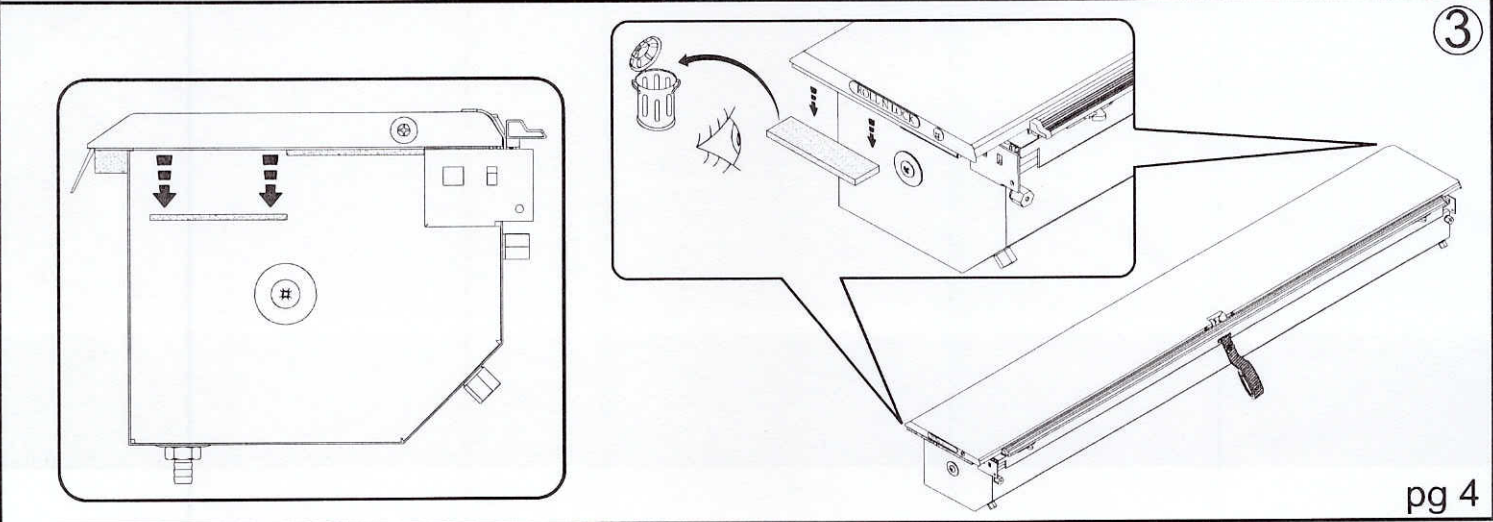
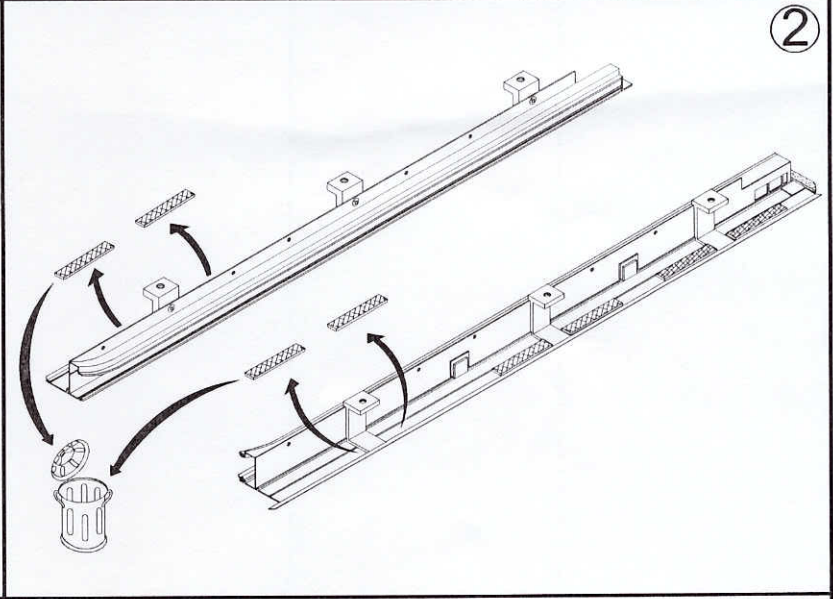
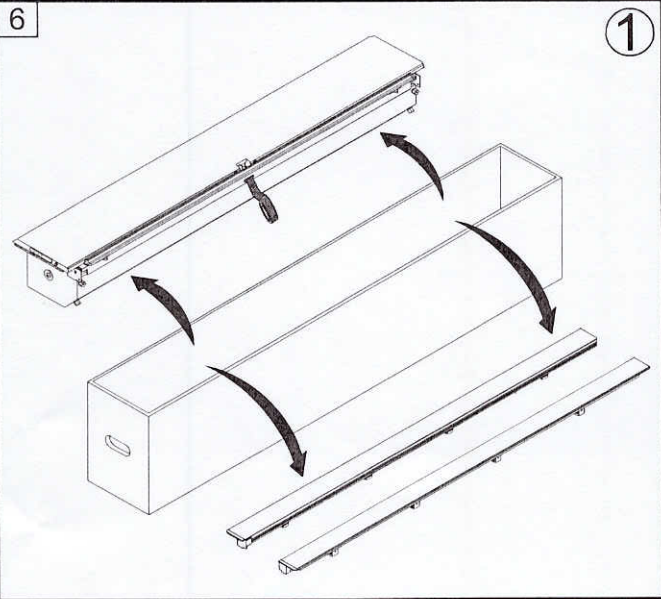
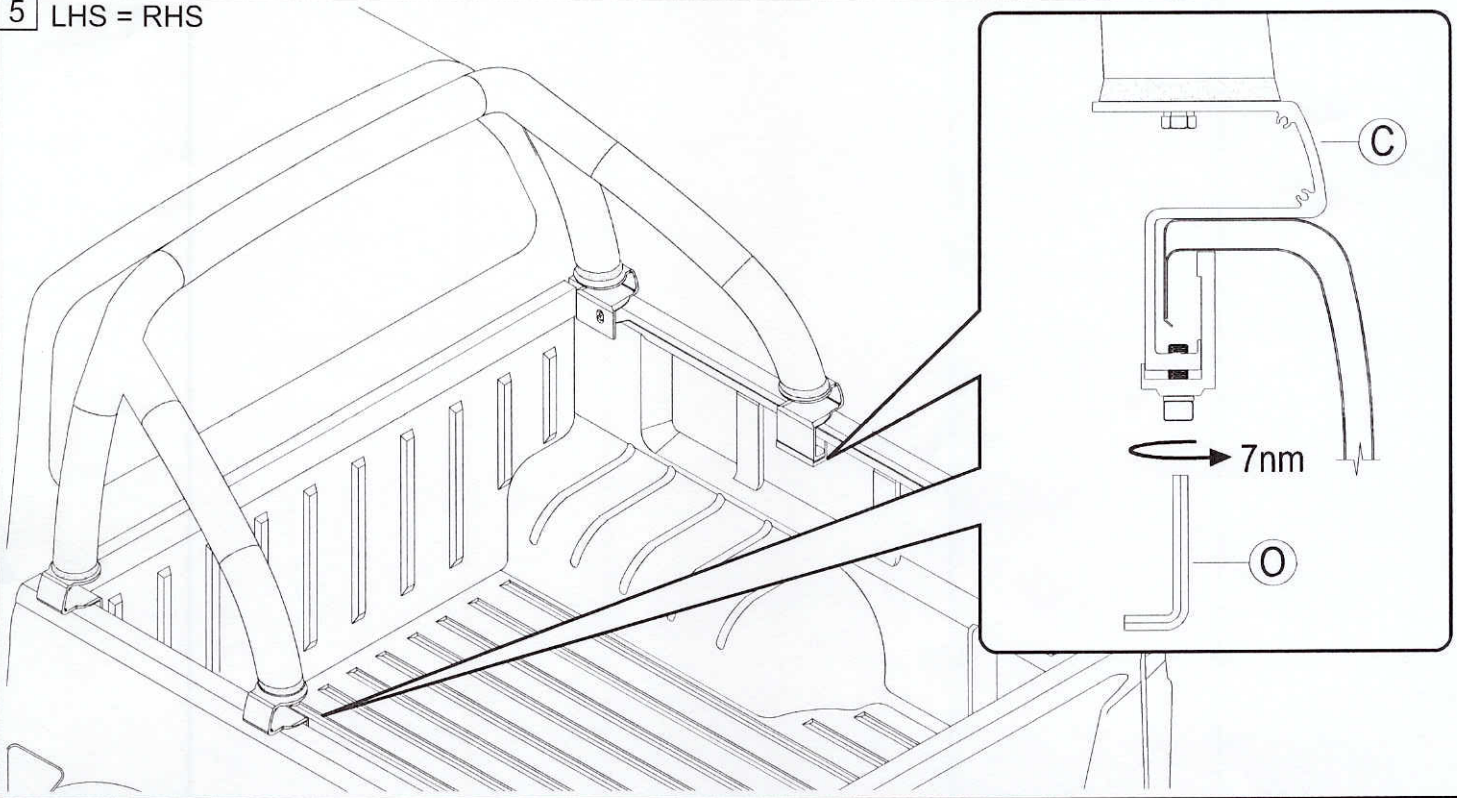
3 LHS = RHS

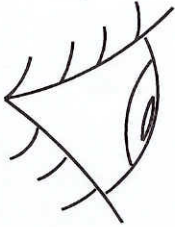


4 LHS = RHS



5 LHS = RHS



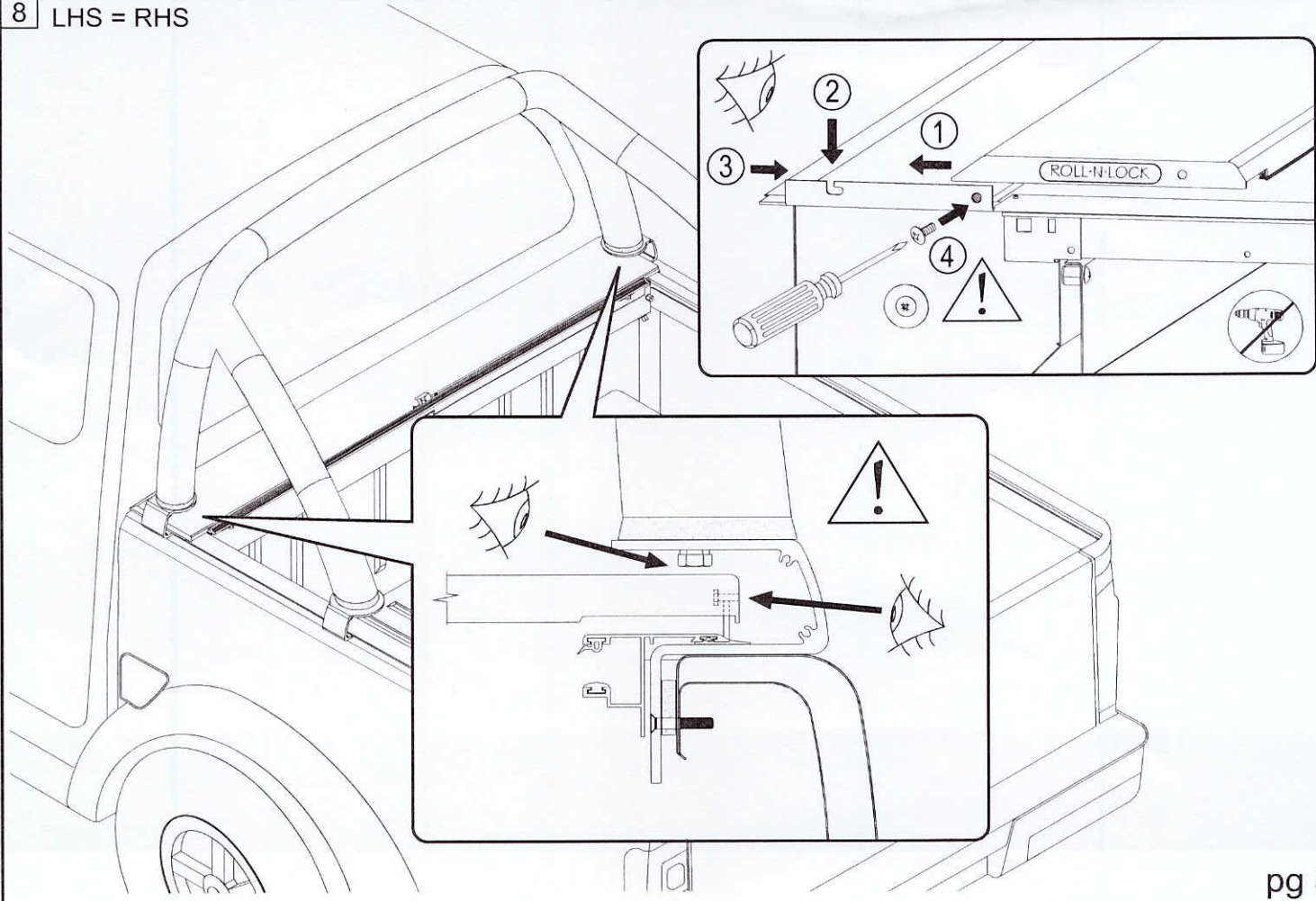


Install
Roll•N•Lock:

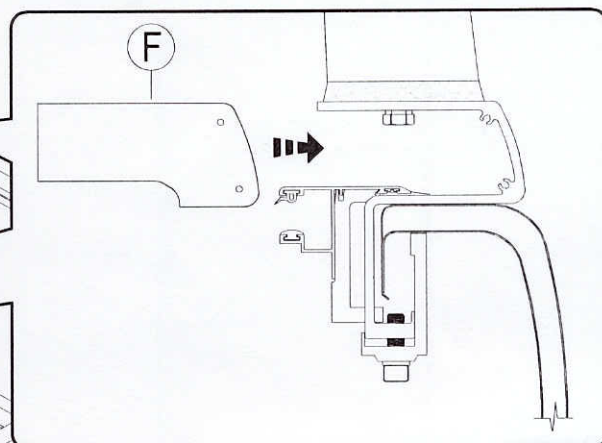
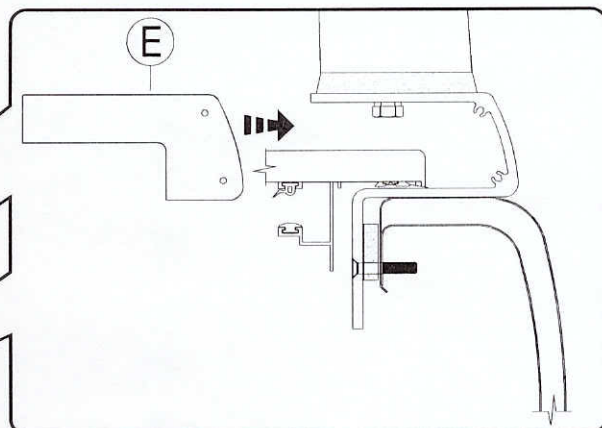
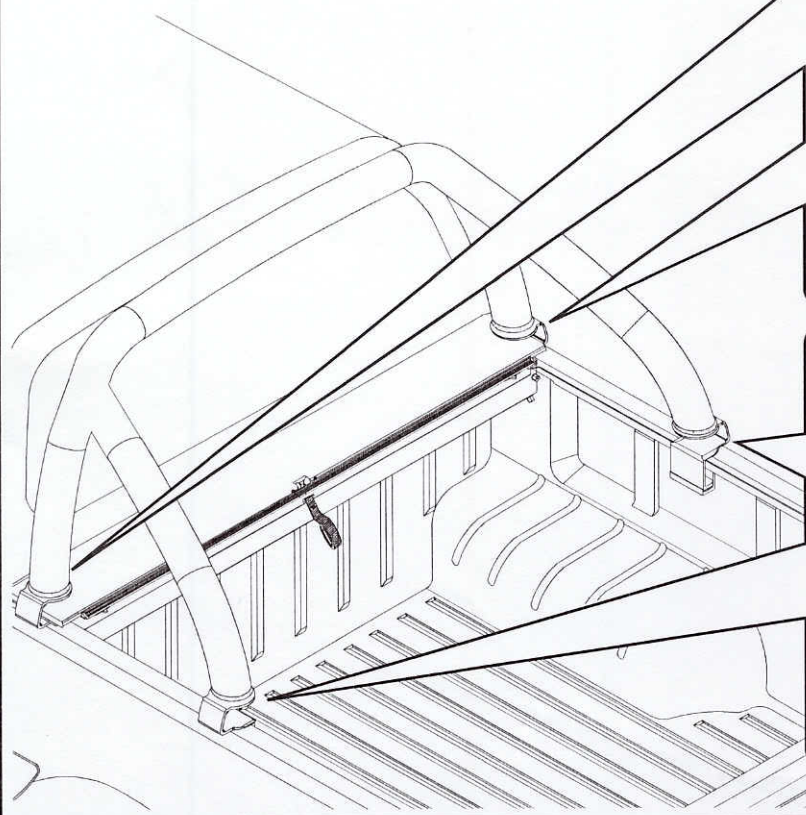
2012 ISUZU D-MAX DOUBLE CAB

PRODUCT CODE: LG247M

DE	ROLL-N-LOCK Tonneau Cover	NO	ROLL-N-LOCK Tonneau Cover
BG	ROLL-N-LOCK Tonneau Cover	PL	ROLKI N-LOCK Tonneau Cover
HR	Roll-N-LOCK pokrovom	PT	ROLO E FECHADURA COBERTURA DE TONNEAU
CZ	ROLL-N-LOCK kryt zavazadového priestoru	RO	ROLL și de a blocu Tonneau Cover
DK	ROLL-N-LOCK Tonneau Cover	RU	ПВЛОН И ПОКРЫТИЕ TONNEAU ЗАМКА
NL	BROODJE-N-SLOT de Dekking van Tonneau	SK	ROLL-N-LOCK kryt batozovného priestoru
FI	RO-N-LOCK Tonneau kansi	SI	ROLL-N-LOCK Tonneau Cover
FR	ROLL-BAU ET LOCK Tonneau Cover	ES	RUEDA y la CERRADURA Tonneau Cubierta
DE	ROLLEN sie und SCHLÖß Tonneau Kappe	SE	ROLL-N-LOCK Tonneau Täckor
GR	Κάλυψη Tonneau πόλας-ΚΑΕΙΔΑΡΙΩΝ	TR	RULO-N-LOCK Tonneau Kapak
HU	ROLL-N-LOCK platófedél	UA	ROLL-N-LOCK Tonneau Kapa
IS	Rúlla og Lússa Tonneau Kápa	AR	غطاء تونيو تونيو
IT	ROTOLO e SERRATURA Tonneau Coperta	IL	טוןאו קאפערט



9 LHS = RHS



10 LHS = RHS

