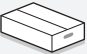


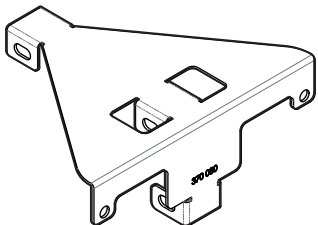
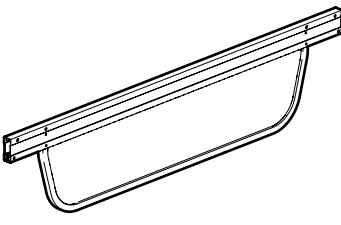

Mountain Top[®] Bed Divider


Installation manual

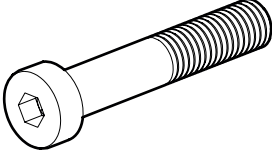
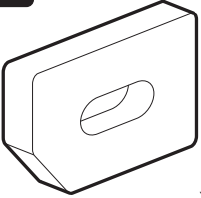

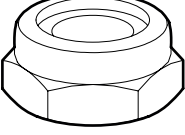
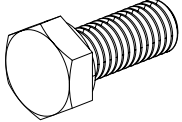



DOWNLOAD PDF

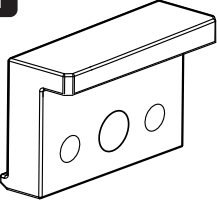
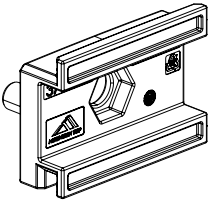
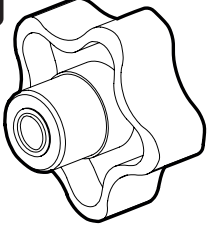
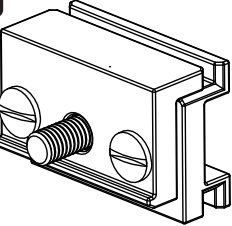
 Parts


<p>A</p>  <p>x 2</p>	<p>B</p>  <p>x 1</p>	<p>C</p>  <p>Manual</p> <p>x 1</p>
--	--	--

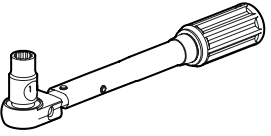
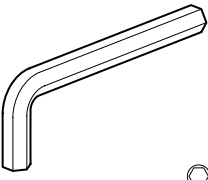
 Kit

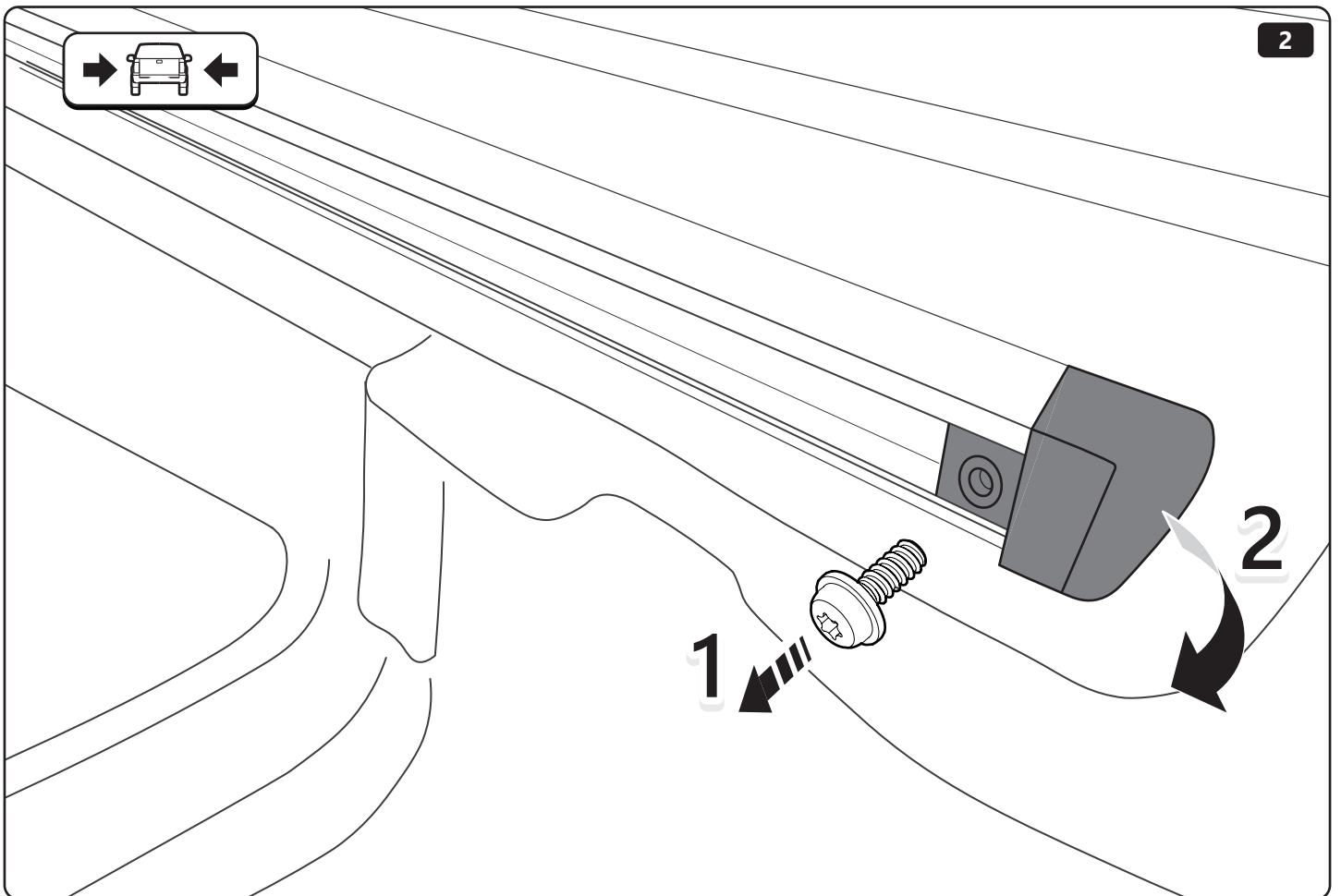
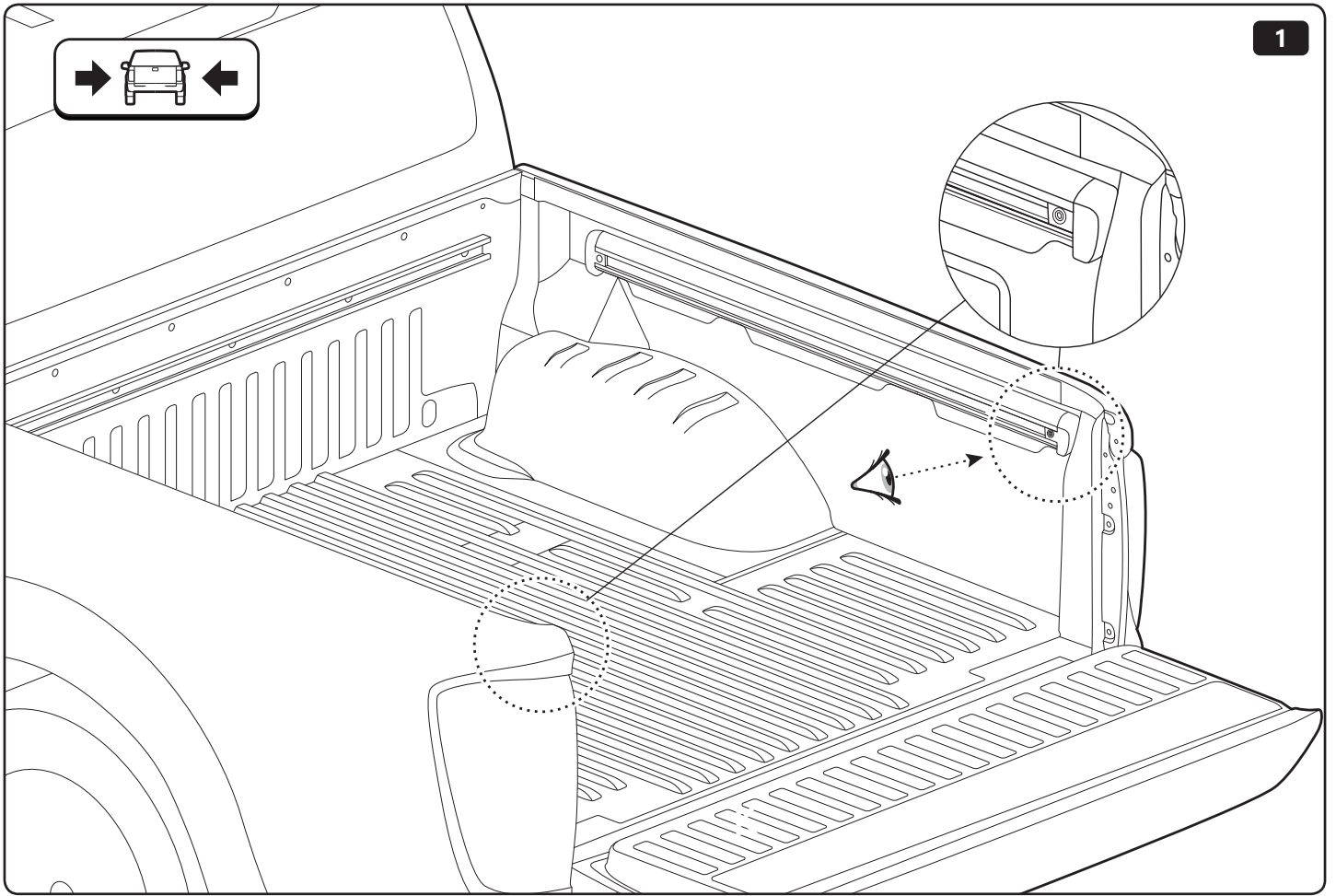
<p>D</p>  <p>x 6</p>	<p>E</p>  <p>x 2</p>	<p>F</p>  <p>x 16</p>	<p>G</p>  <p>x 8</p>	<p>L</p>  <p>x 2</p>
---	--	---	---	--

 Kit

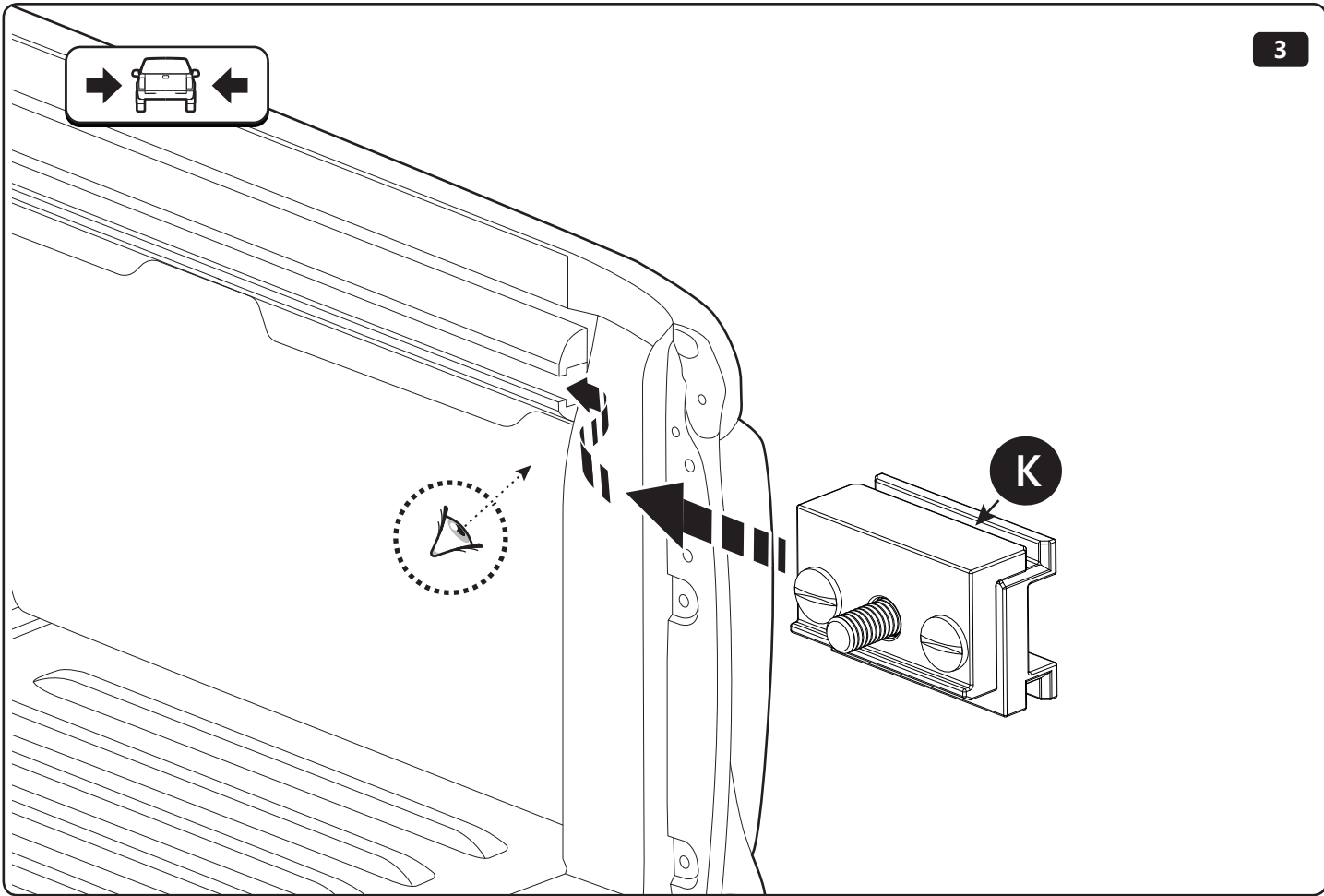
<p>H</p>  <p>x 2</p>	<p>I</p>  <p>x 2</p>	<p>J</p>  <p>x 2</p>	<p>K</p>  <p>x 2</p>
--	--	---	--

 Tools and materials needed

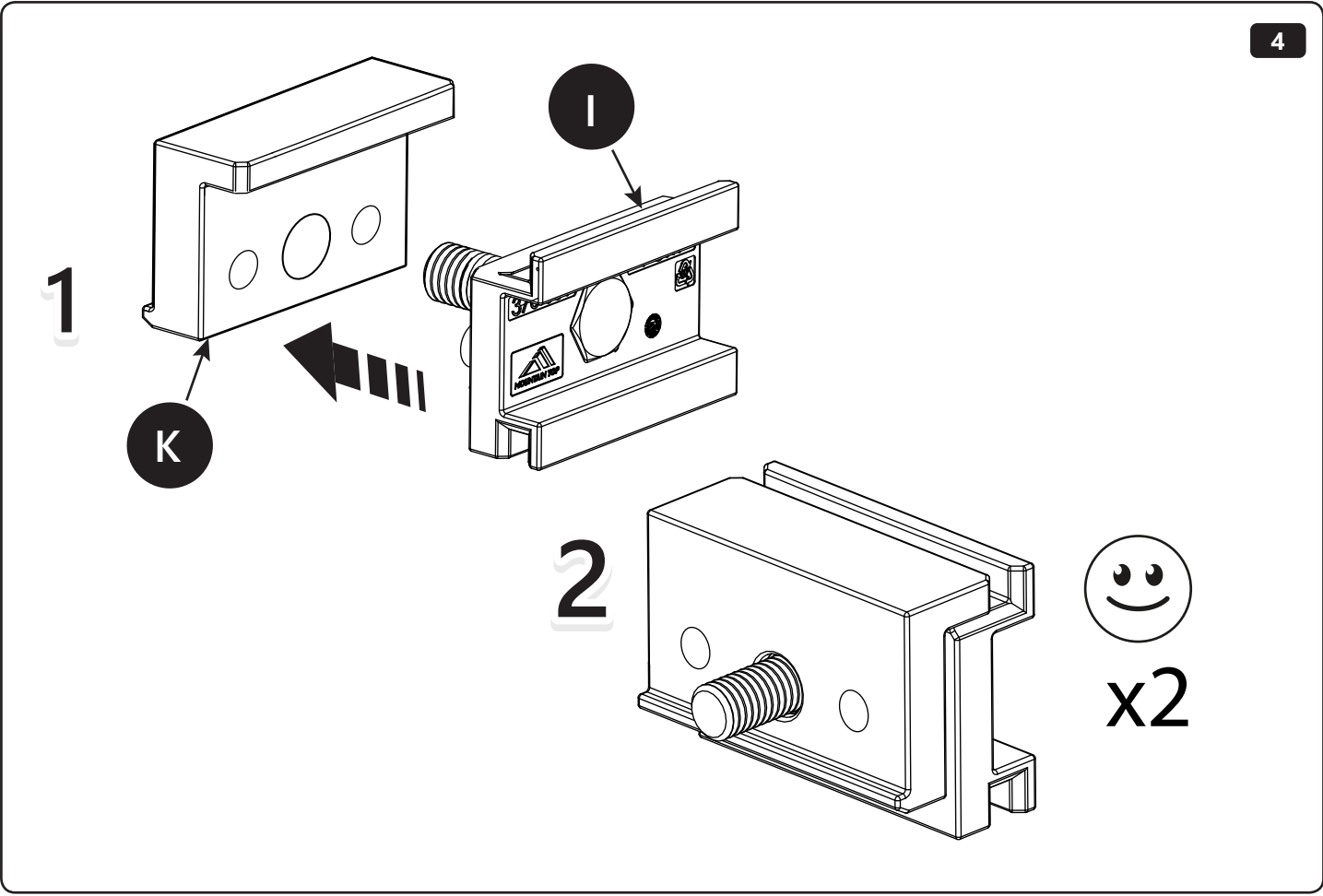
<p>1 - 25 Nm</p>  <p>13 mm</p>	 <p>5 mm</p>
---	---

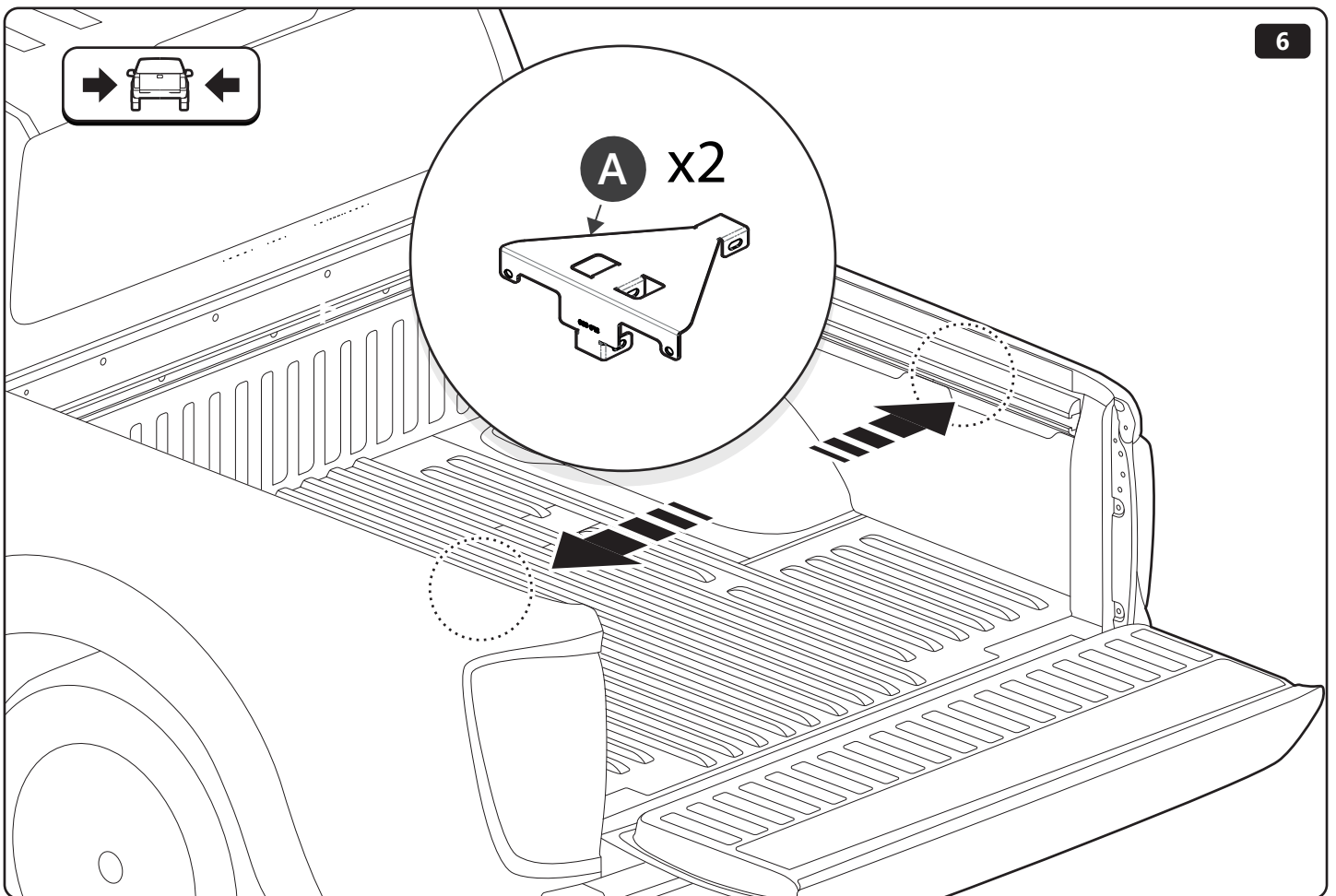
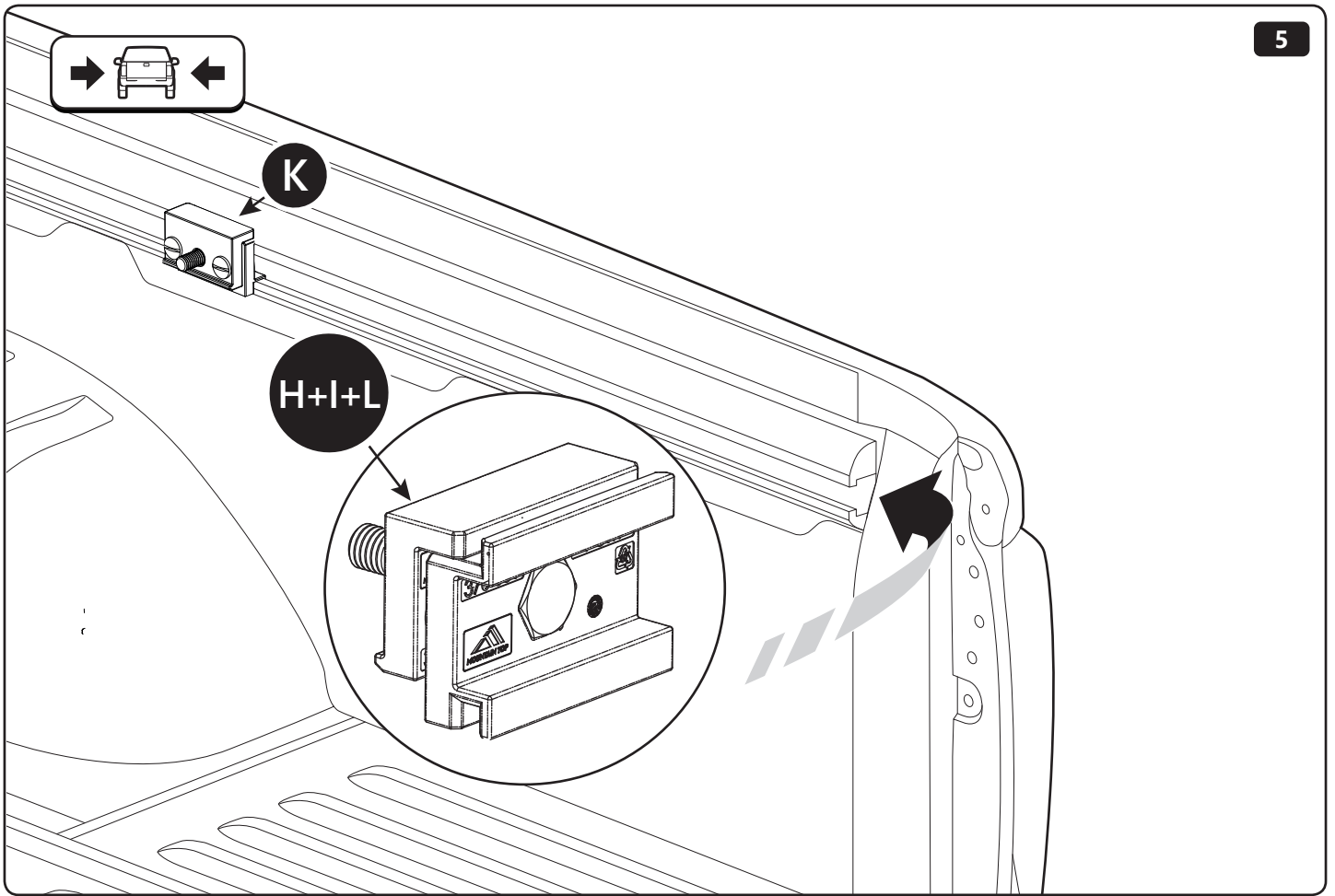


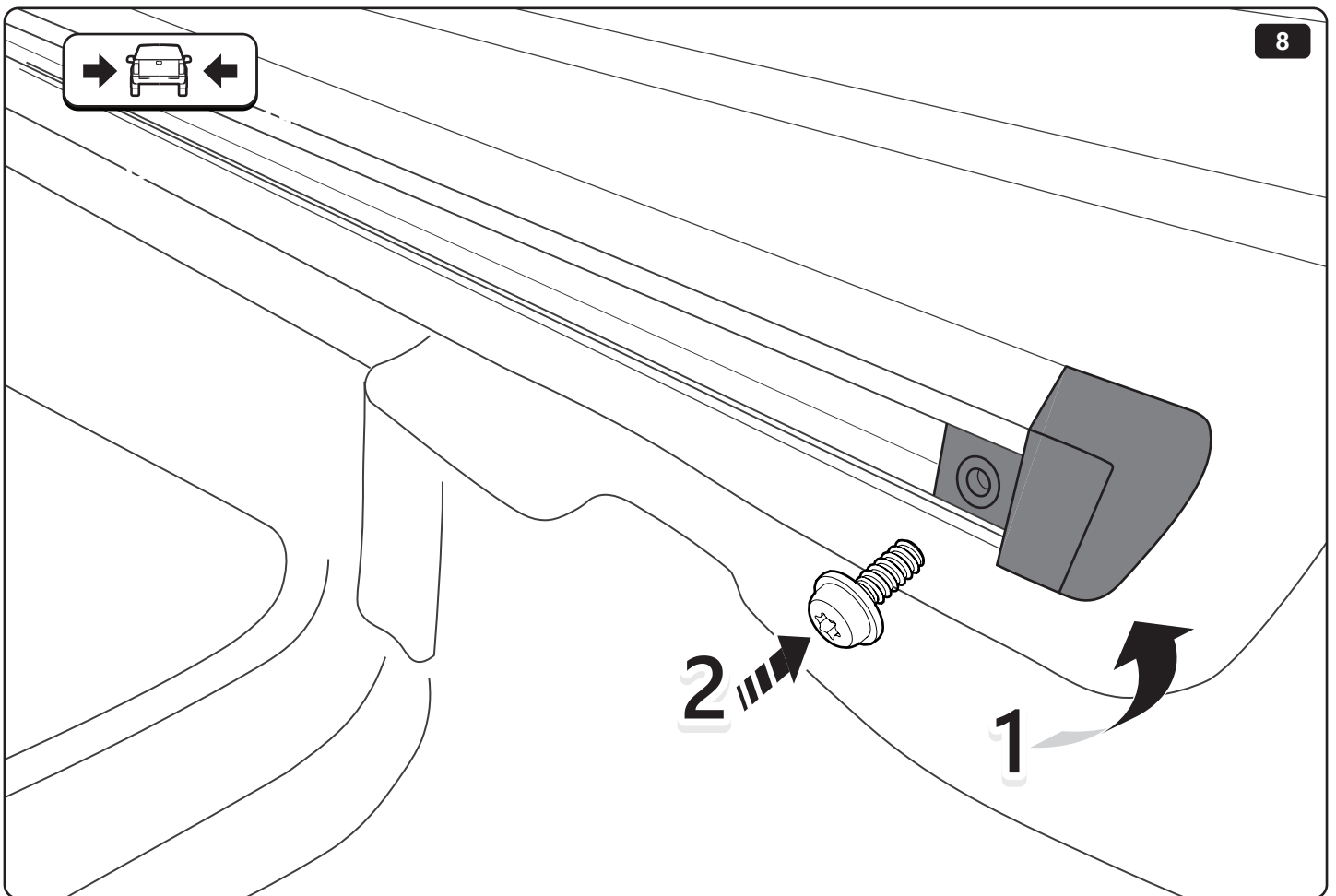
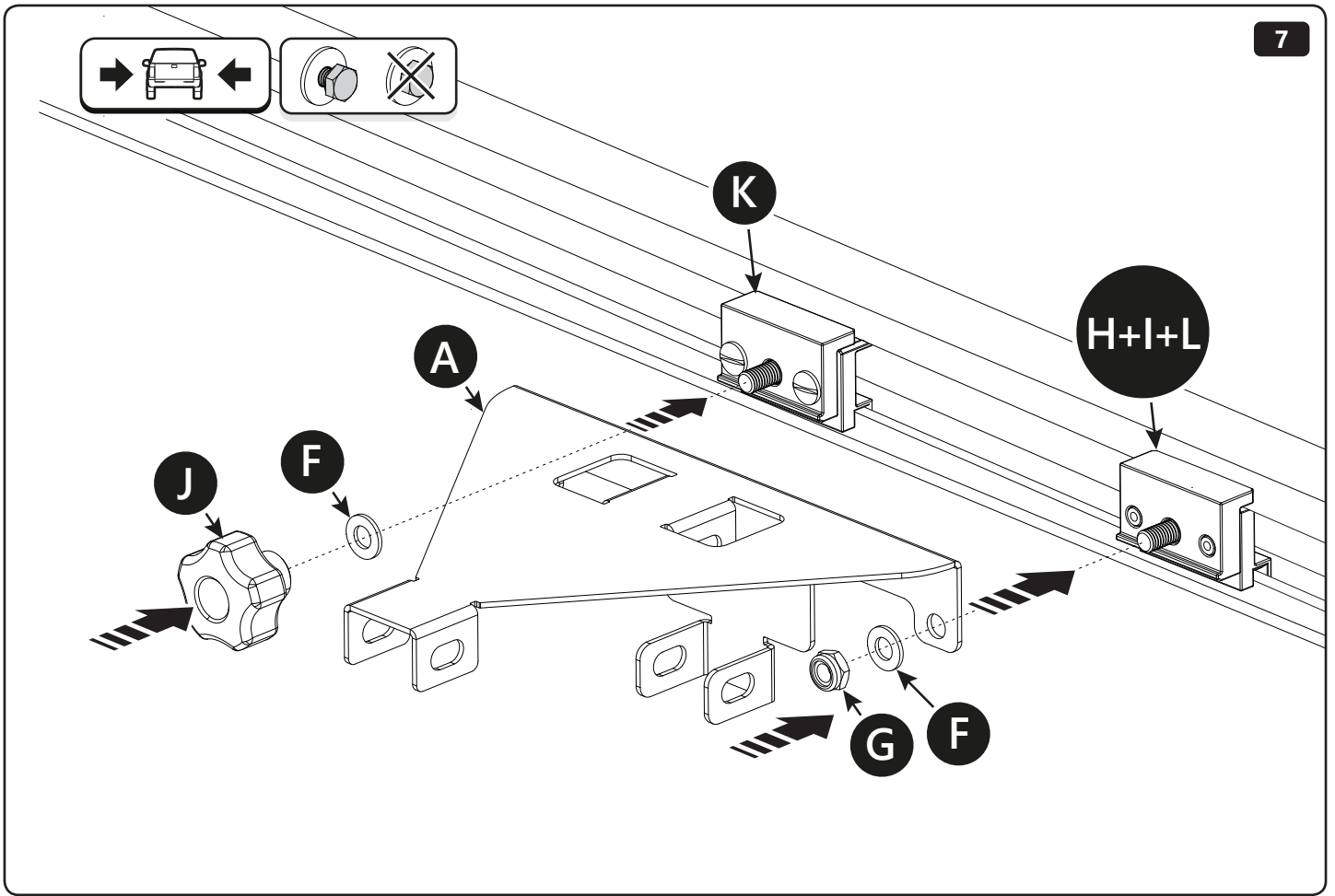
3

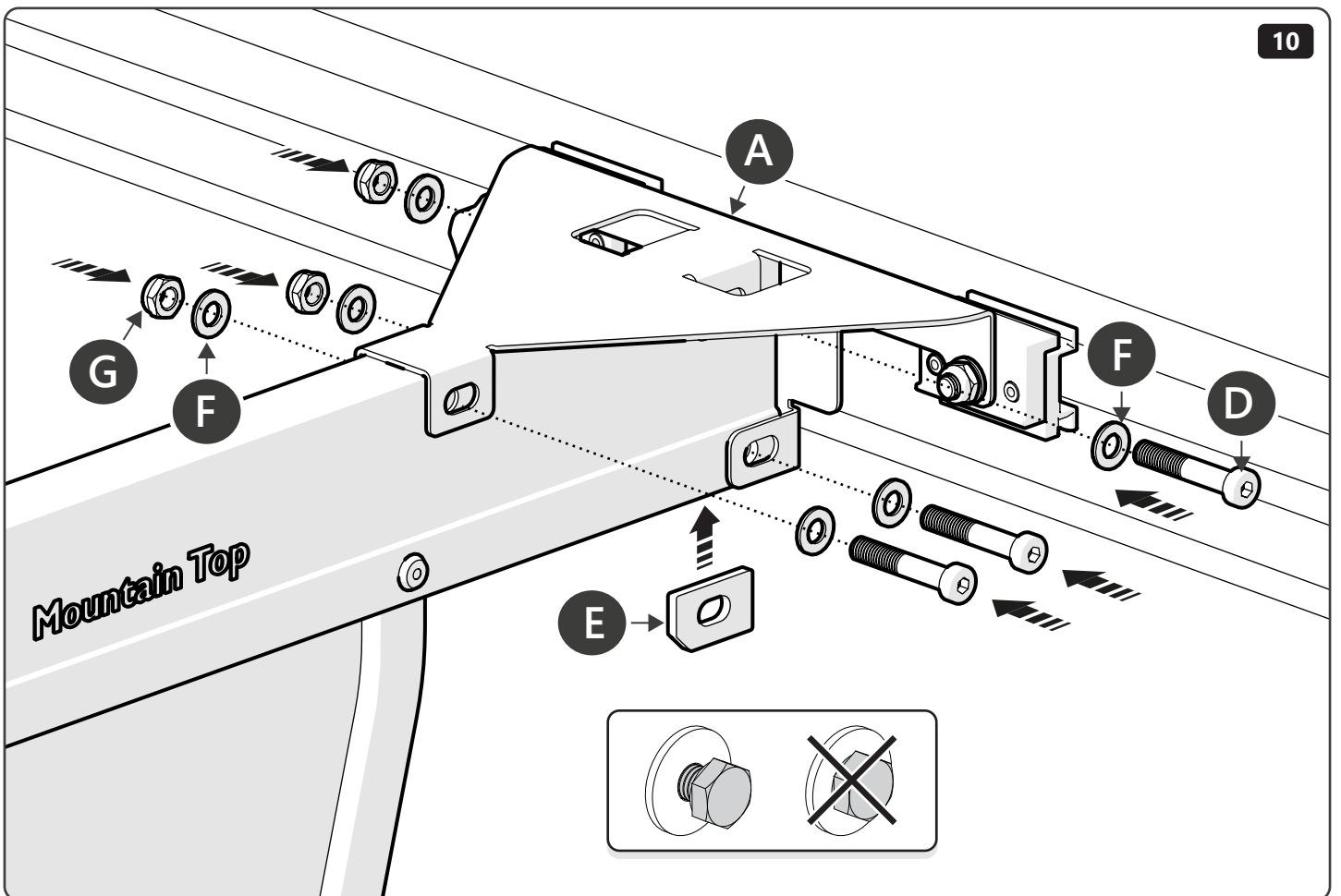
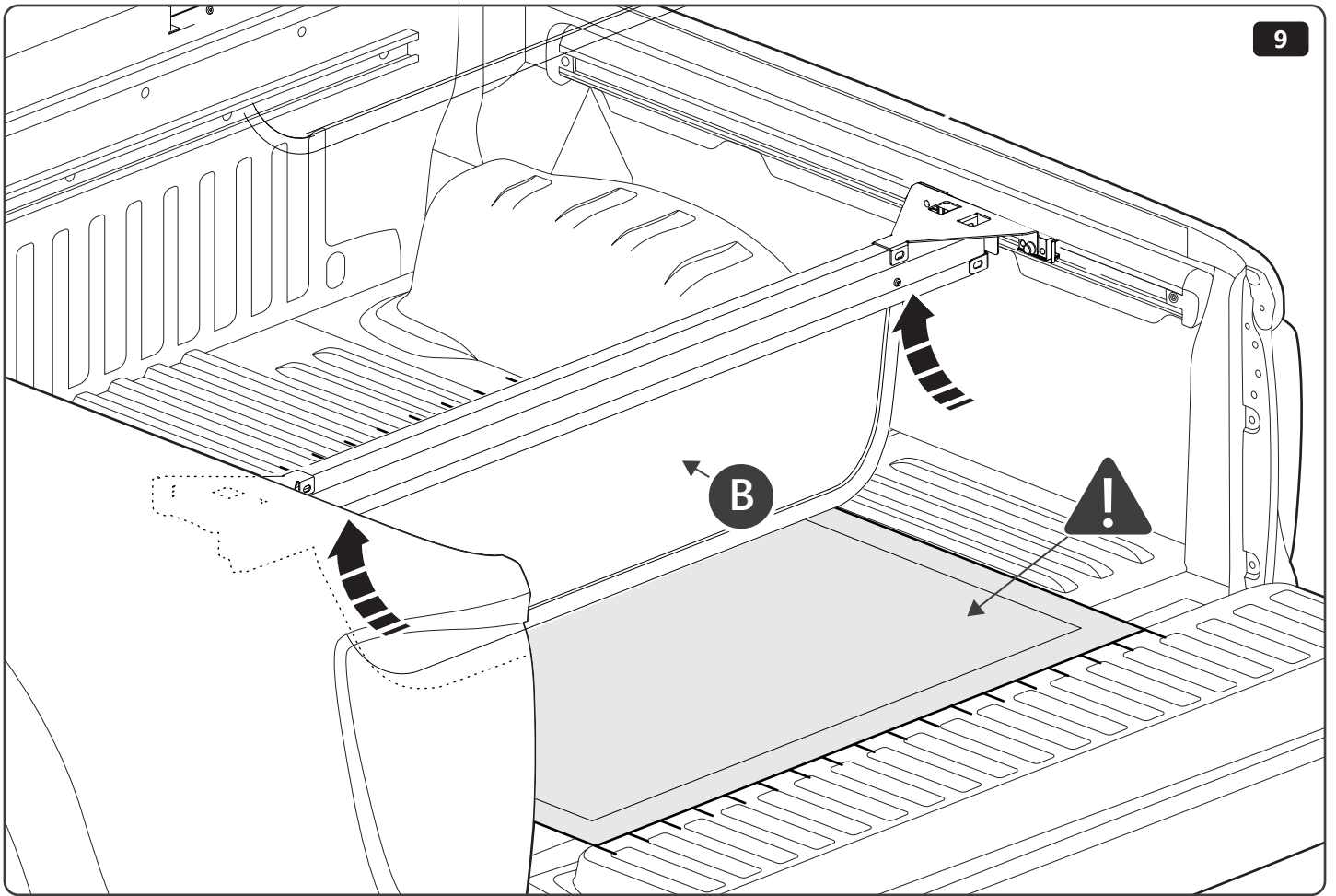


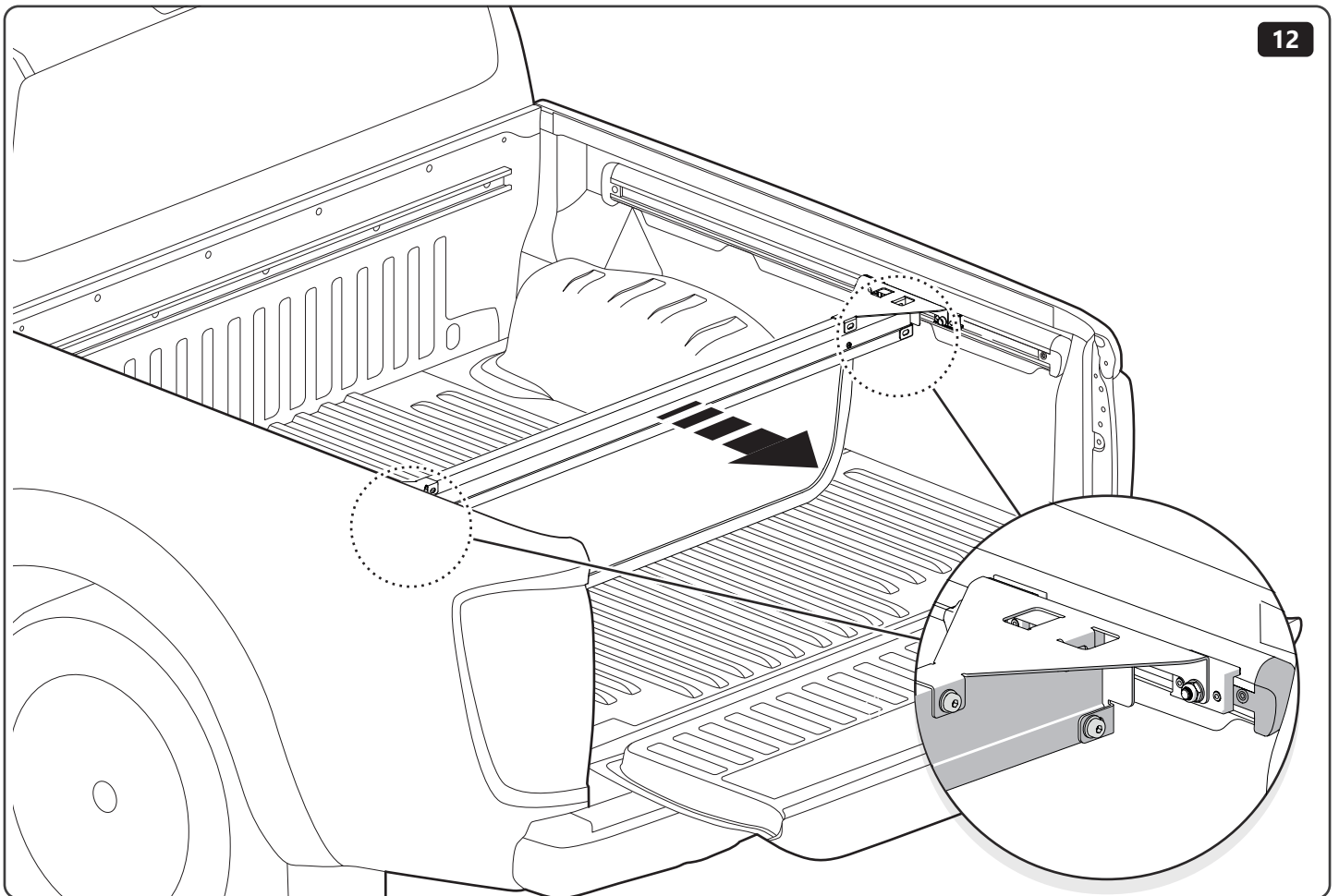
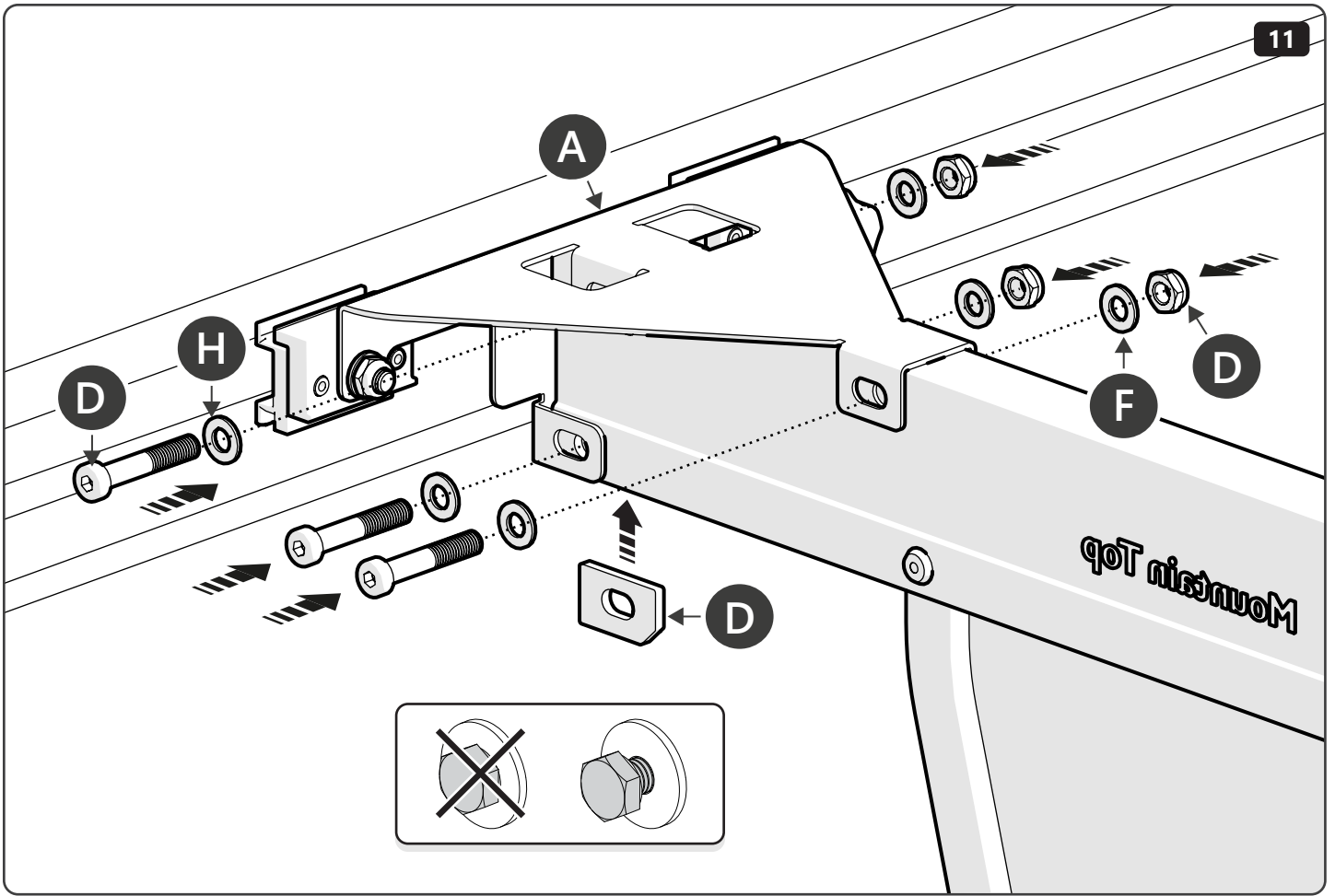
4

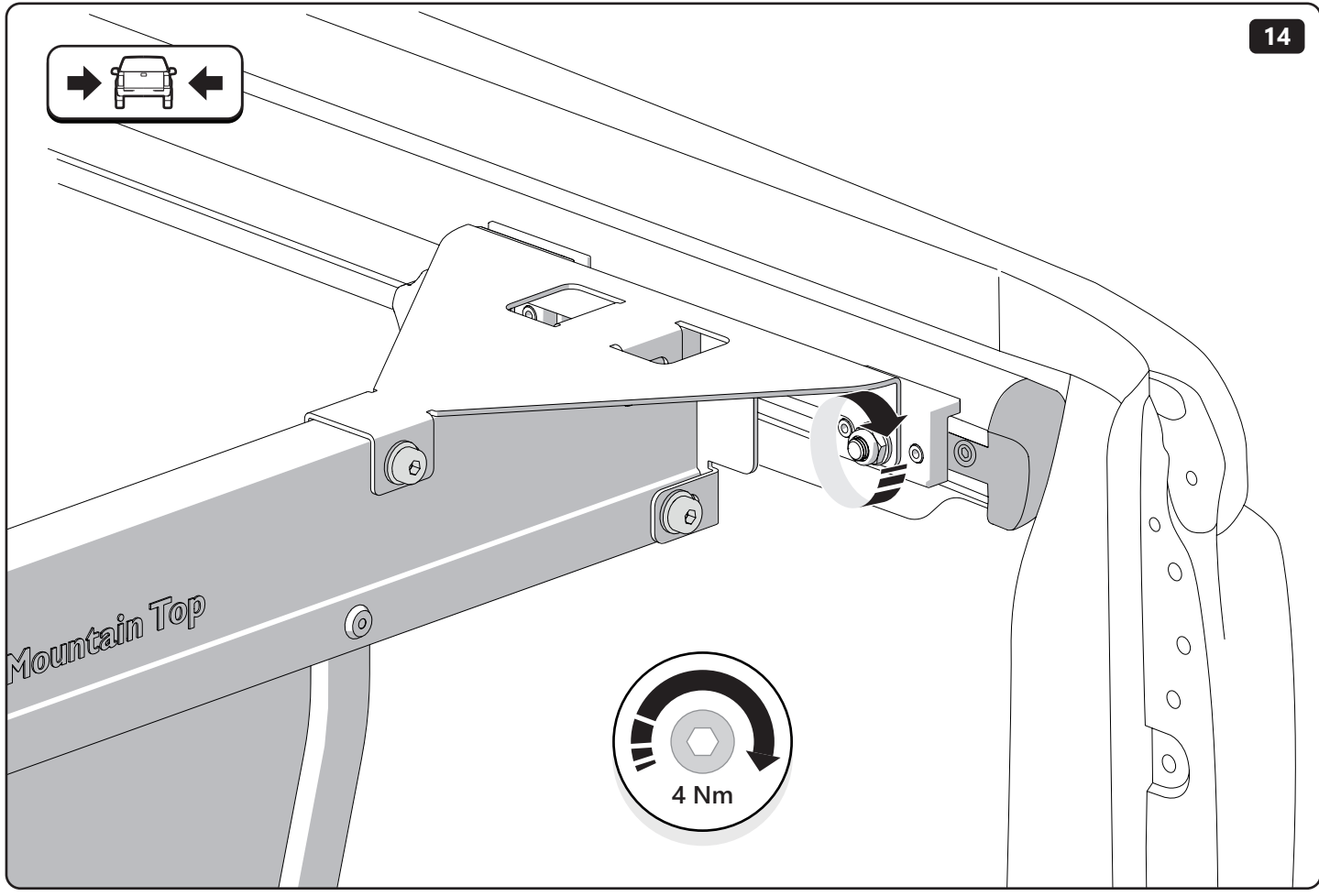
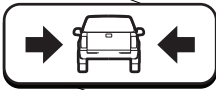
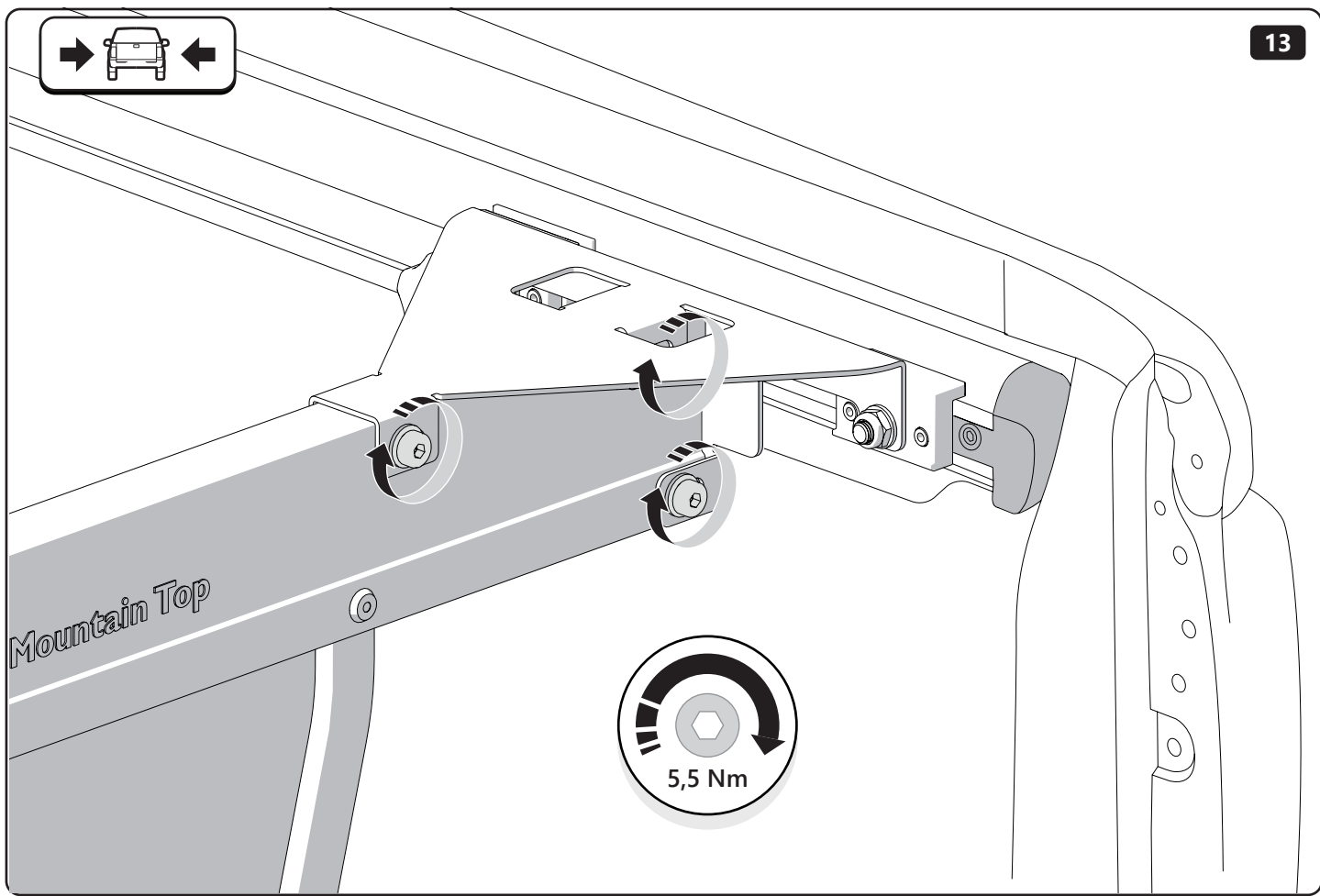


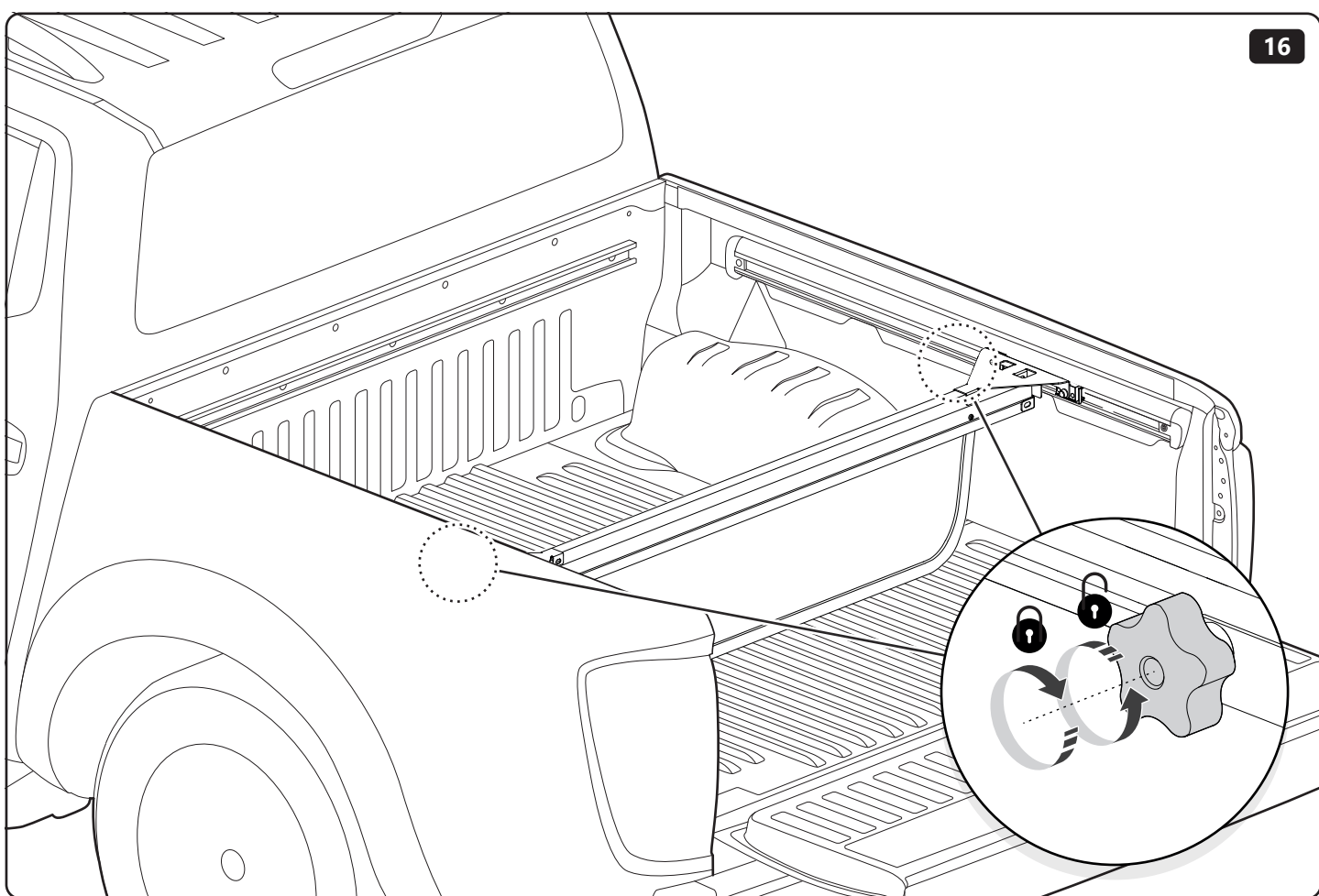
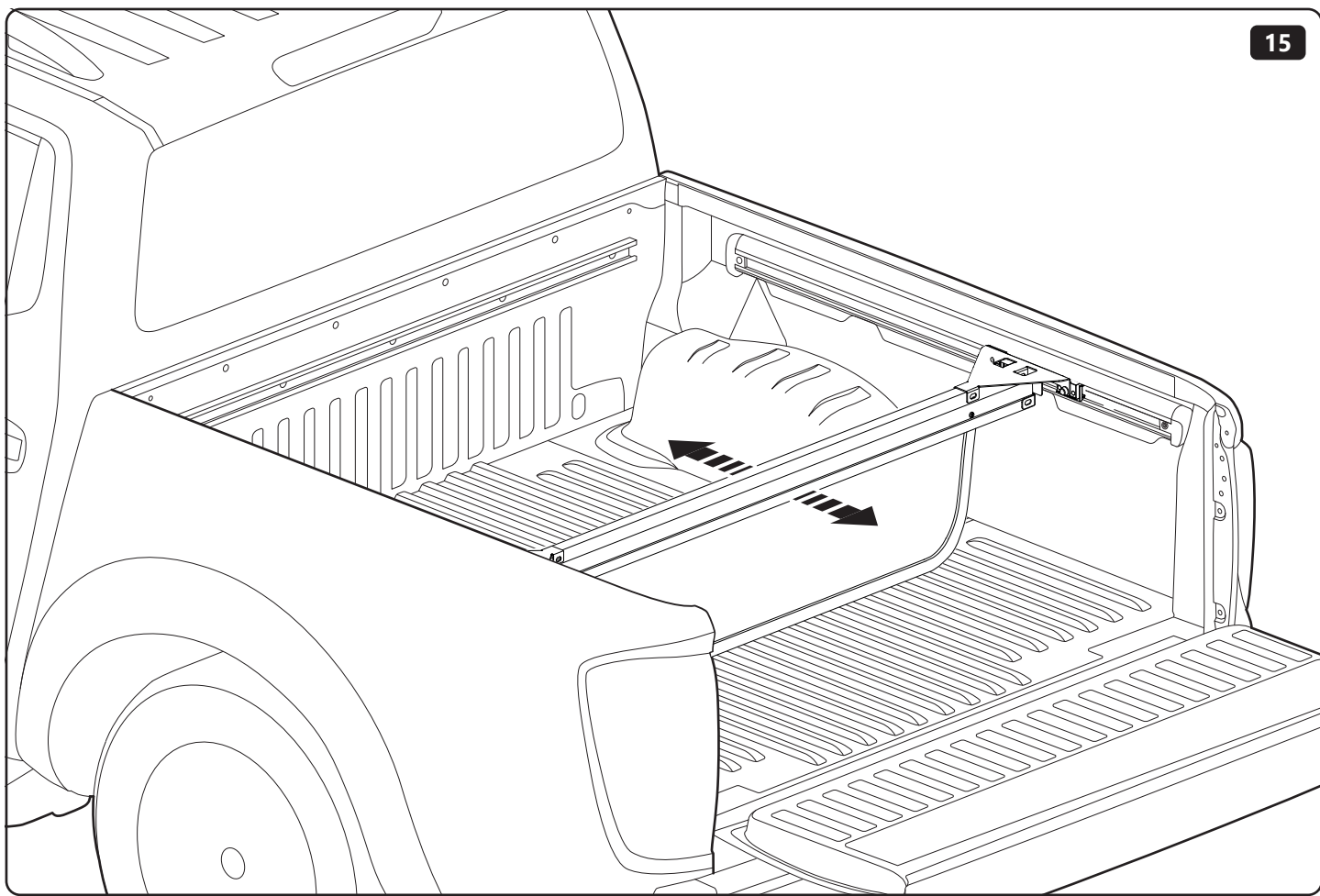


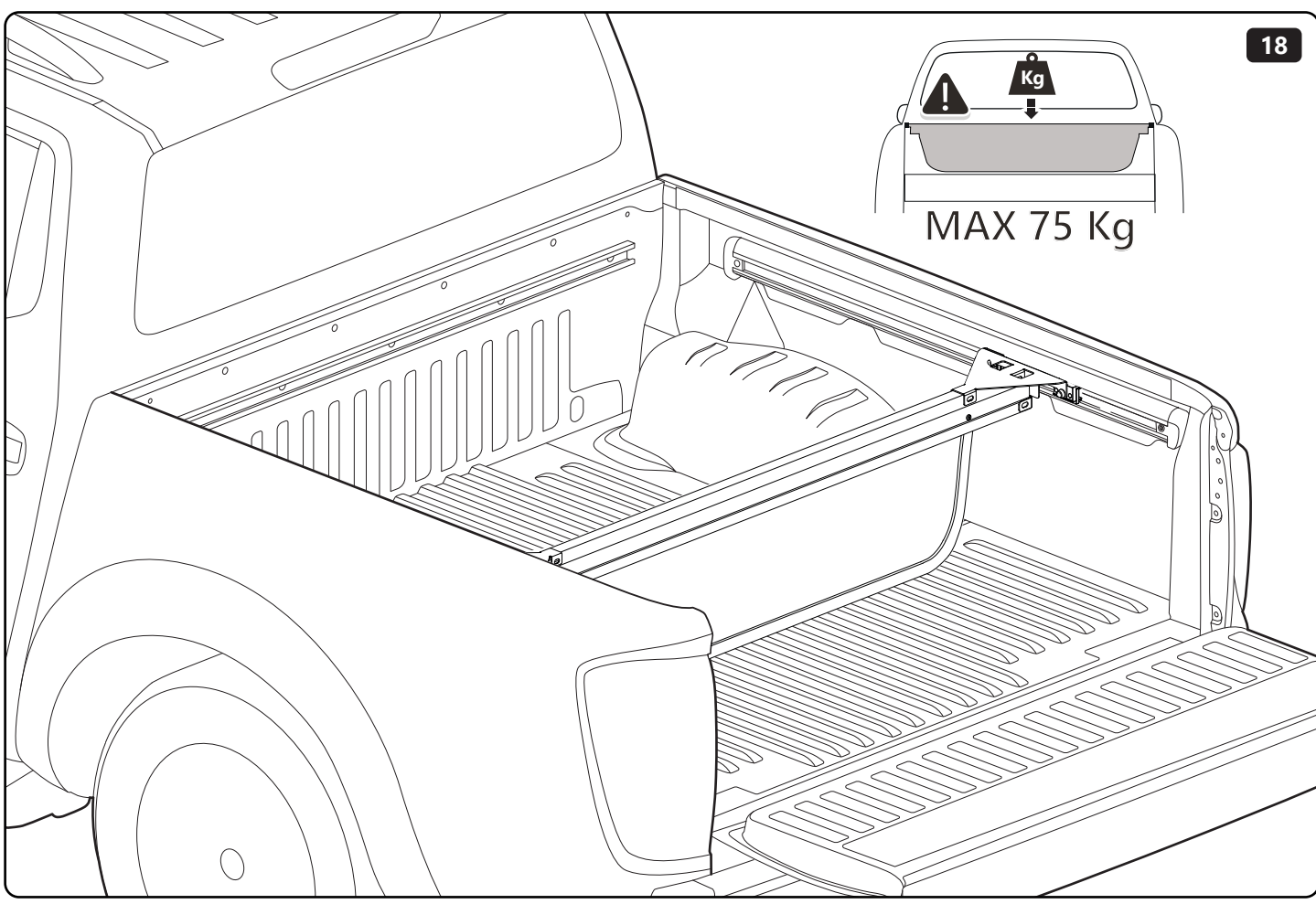
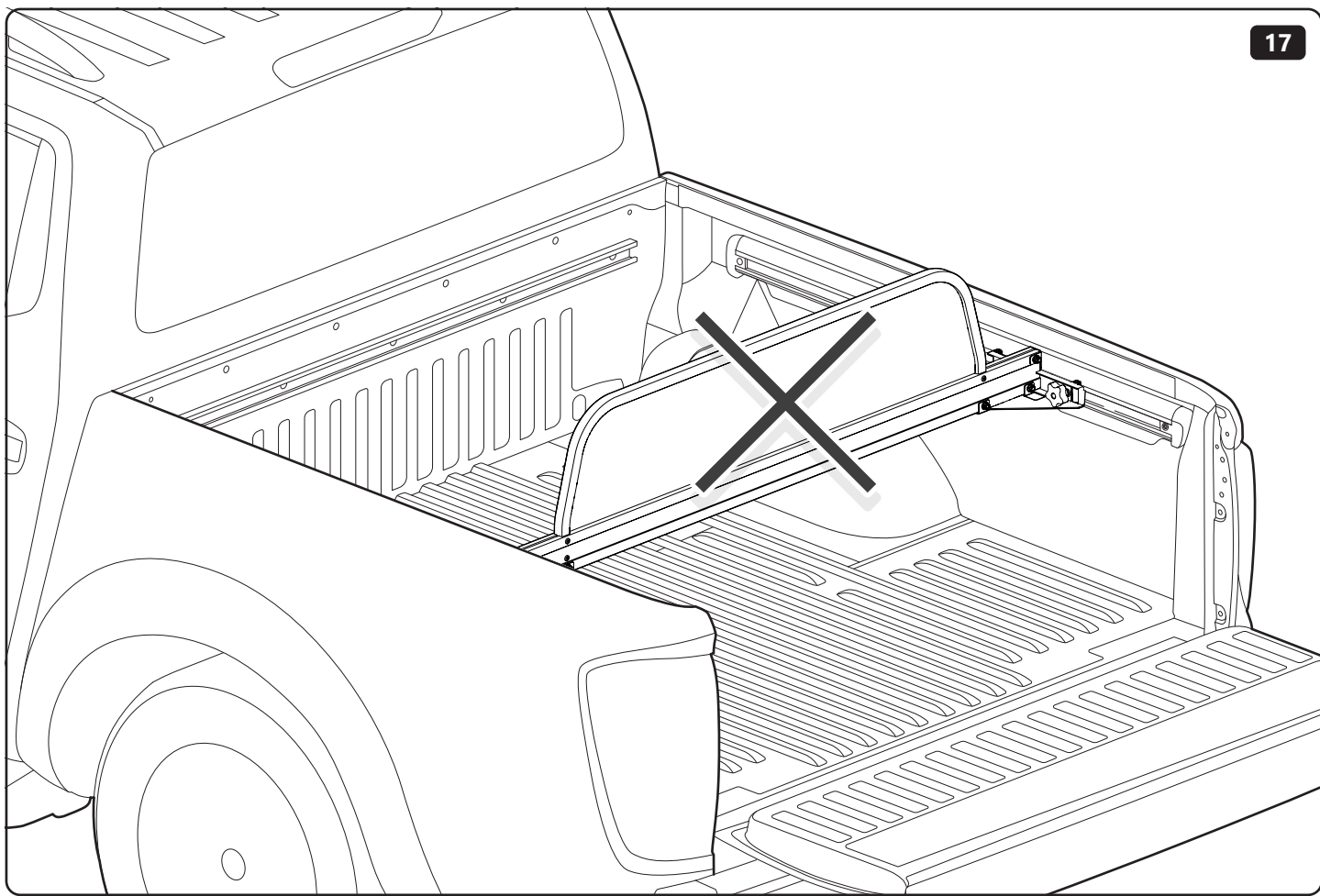














Customer Service +45 4810 2950 (08:00 - 16:00 CET)
Fax +45 4810 2960
Support info@mountaintop.dk
Website www.mountaintop.dk
Address Pedersholmparken 10, 3600 Frederikssund, Denmark

PART NUMBER(S)	MODEL / YEAR	CAB TYPE(S)	INSTALLATION TIME	WEIGHT
BD FO90/91	Ford / 2011 →	Double / King Cab	30 Minutes	5 Kg

GB Installation manual	S Monteringsanvisning	D Einbauanleitung
SF Asennusohje	E Instrucciones de montaje	CZ Návod k instalaci
F Notice de montage	H Szerelési utasítás	I Istruzioni de montaggio
PL Instrukcja montażu	P Instruções de instalação	GR Οδηγίες Εγκατάστασης
NL Installatie-instructies	RUS Инструкция по установке	DK Monteringsvejledning
TR Montaj Talimatı	N Monteringsveiledning	RO Instructiuni de instalare