

Mountain Top® Roll

Installation manual

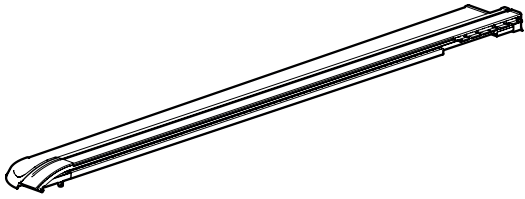


DOWNLOAD PDF



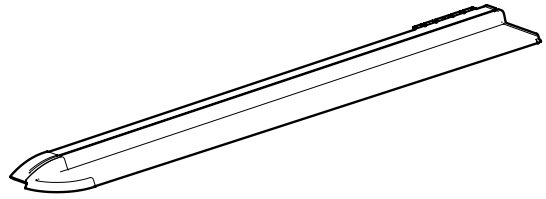
Parts

A



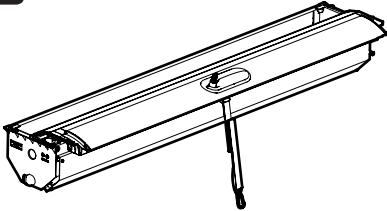
x 1

B



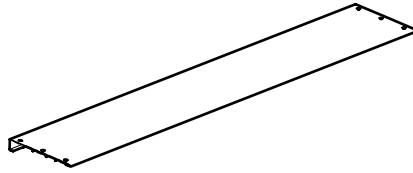
x 1

C



x 1

D



x 1

E



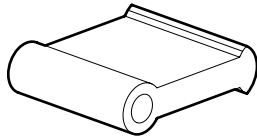
x 1

F



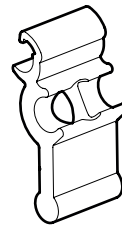
x 6

G



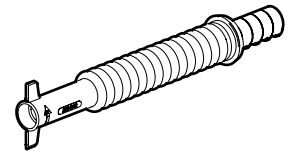
x 6

H



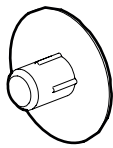
x 6

I



x 2

J



x 12

K



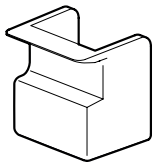
x 6

L



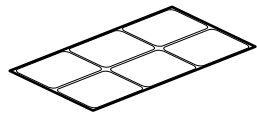
x 6

M



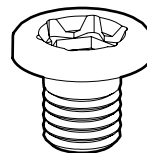
x 2

N



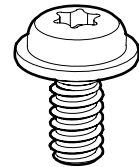
x 1

O



x 6

P



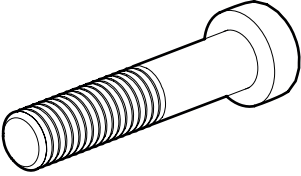
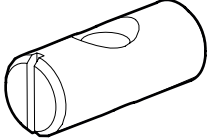
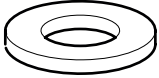
x 4

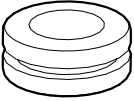
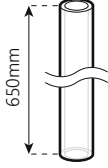


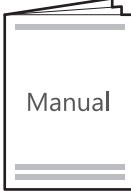

Kit



Kit

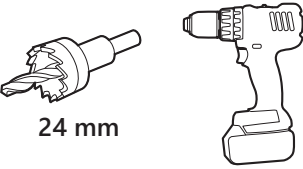
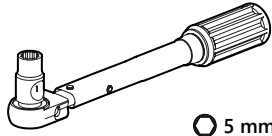


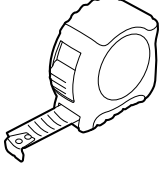
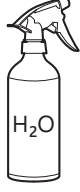
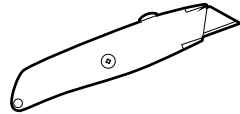

Kit		
Q  x 6	R  x 6	S  x 6

Kit	
T  x 2	U  x 2

Manual(s)	
 Manual x 1	 TÜV x 1

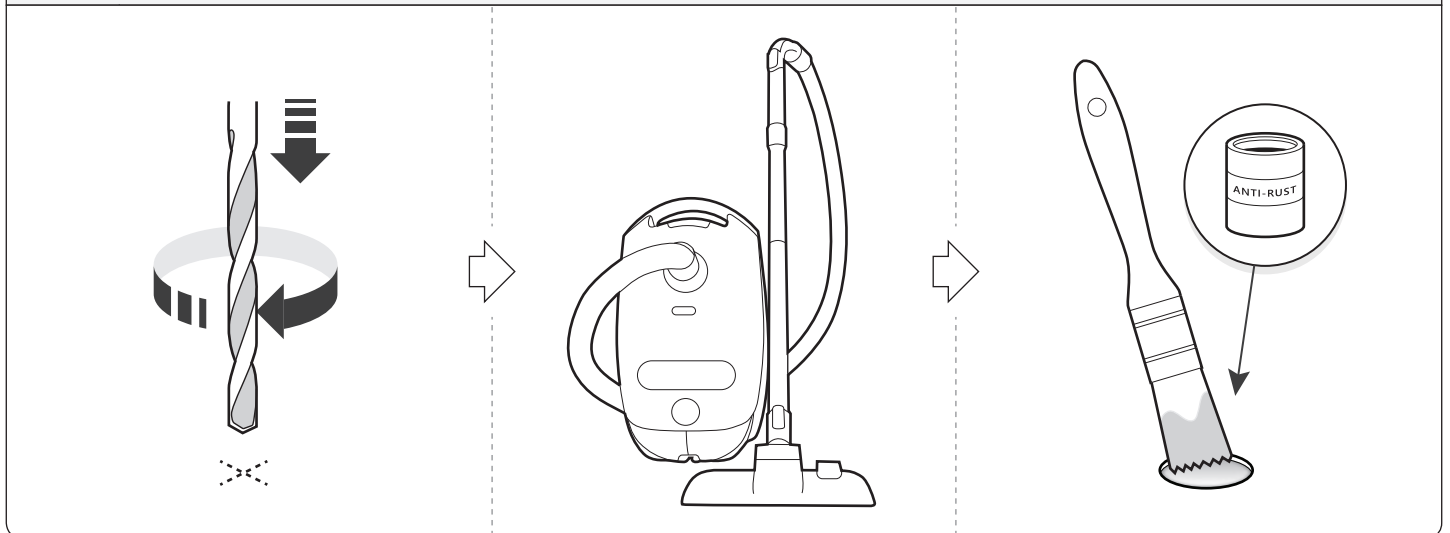


Tools and materials needed

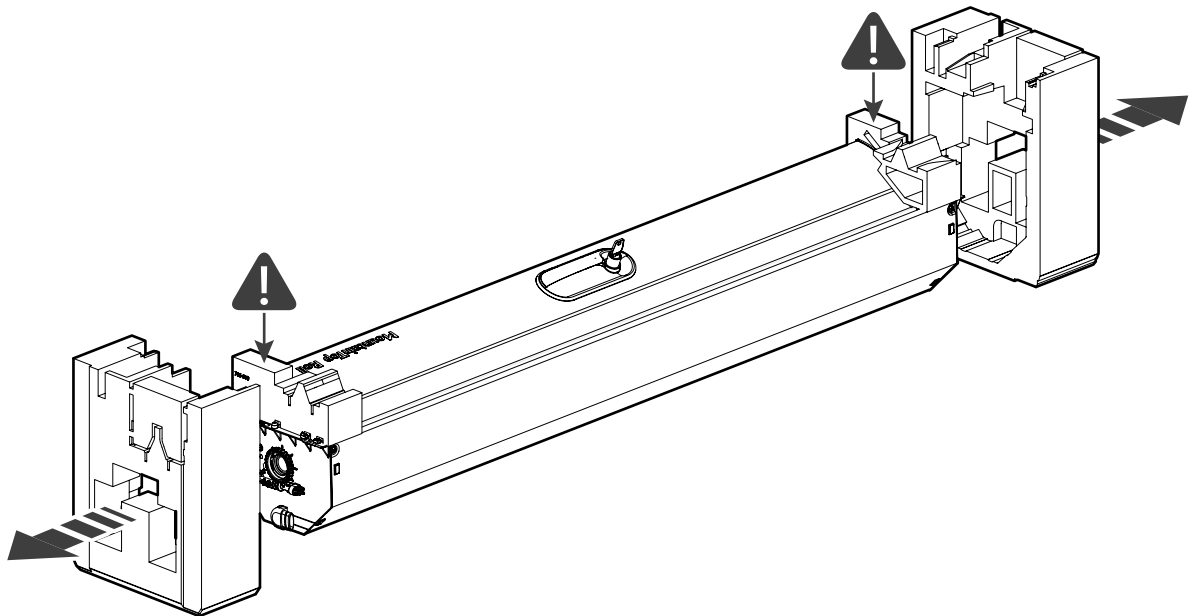
 <p>24 mm</p>	<p>1 - 25 Nm</p>  <p>5 mm T15, T30</p>	 <p>ANTI-RUST</p> <p>Rust protection Rostschutzmittel Anti-rouille Anti roest</p>	 <p>LOCTITE 243</p>
	 <p>H₂O</p>		

1

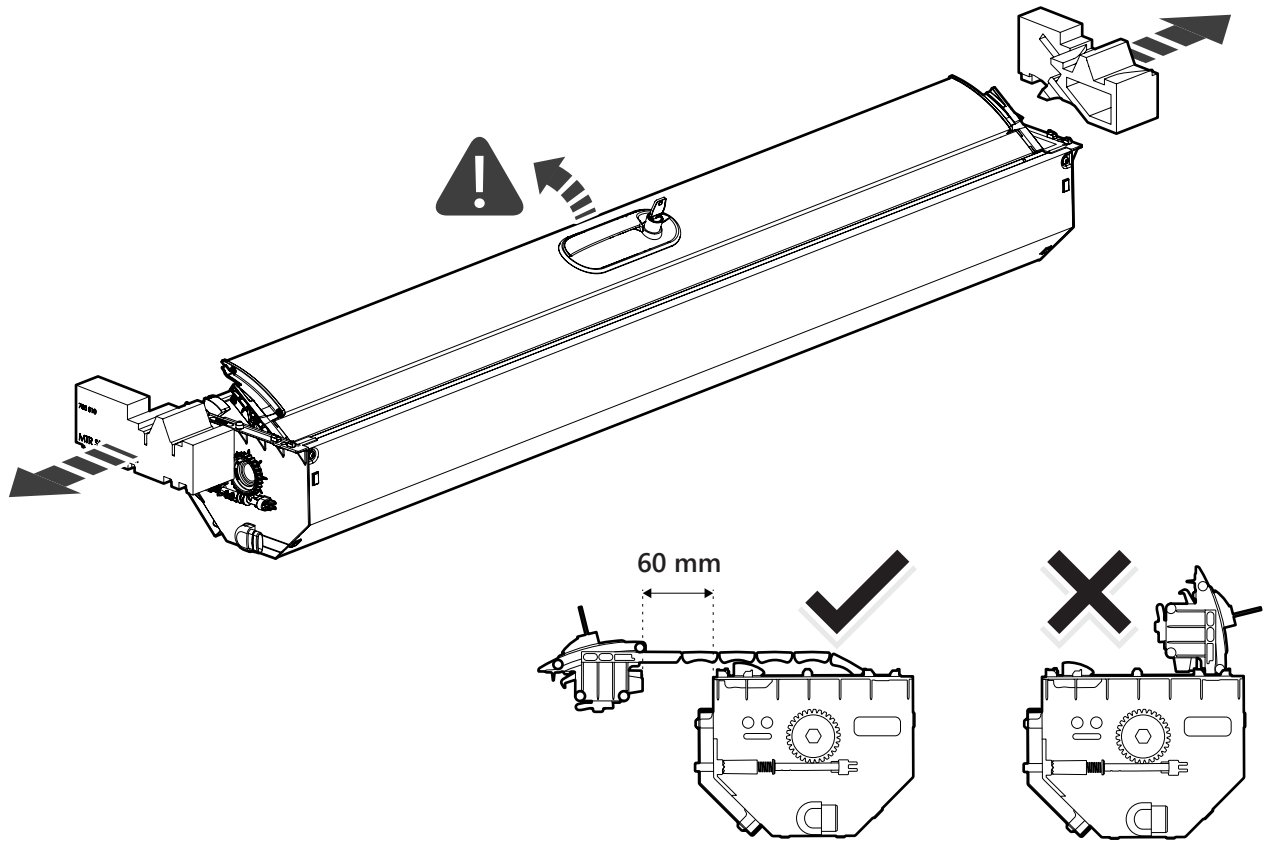
Applying rust protection



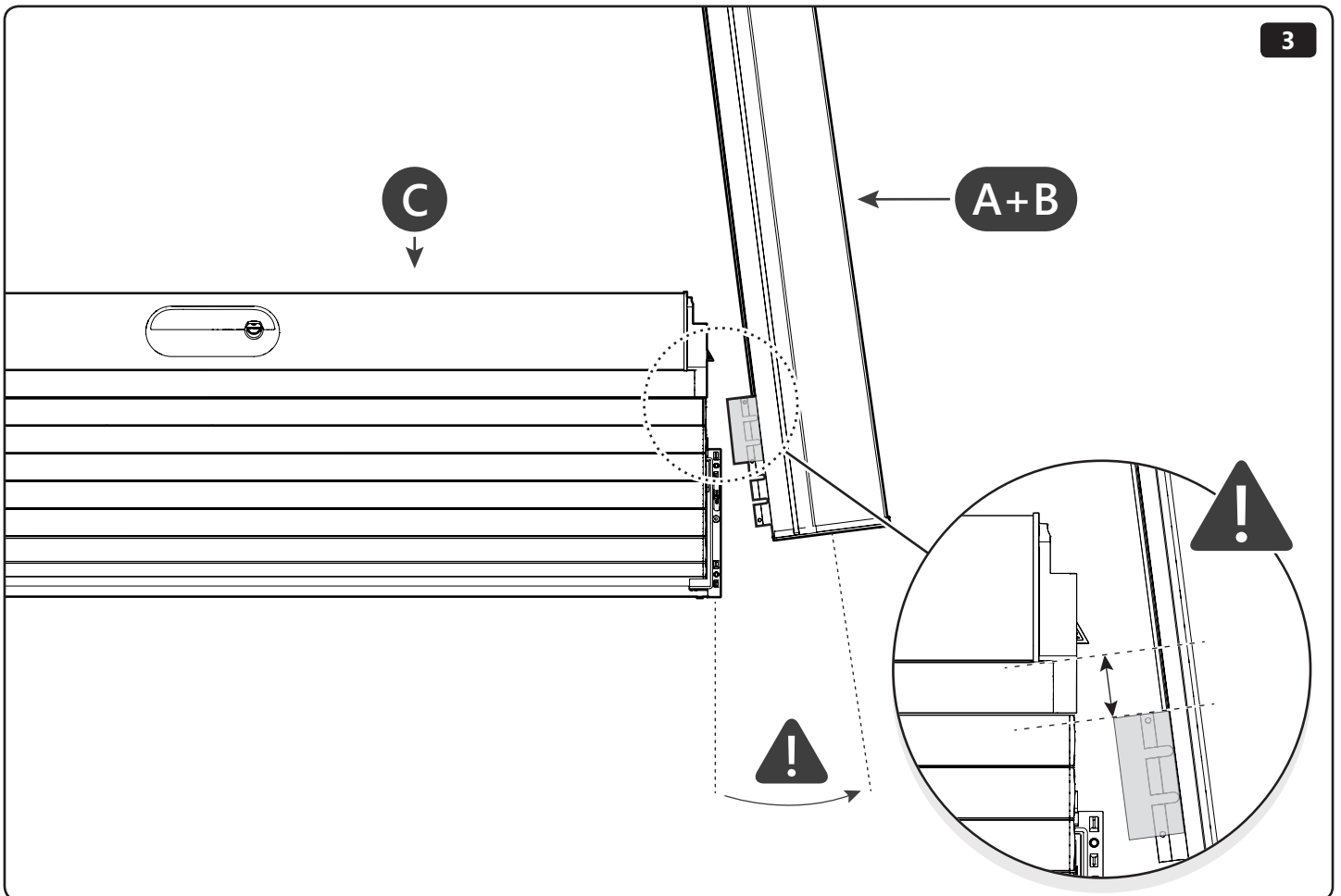
1

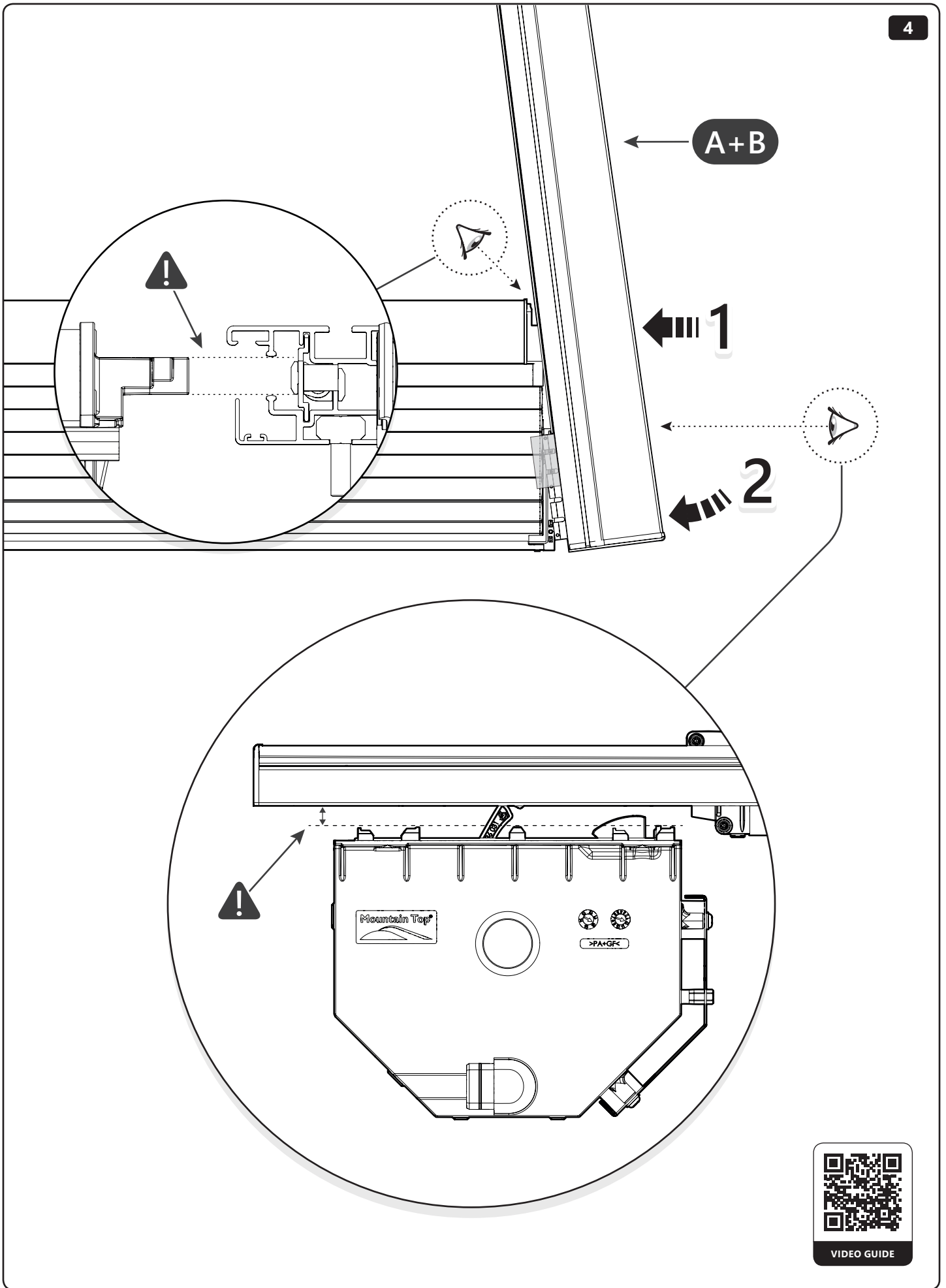


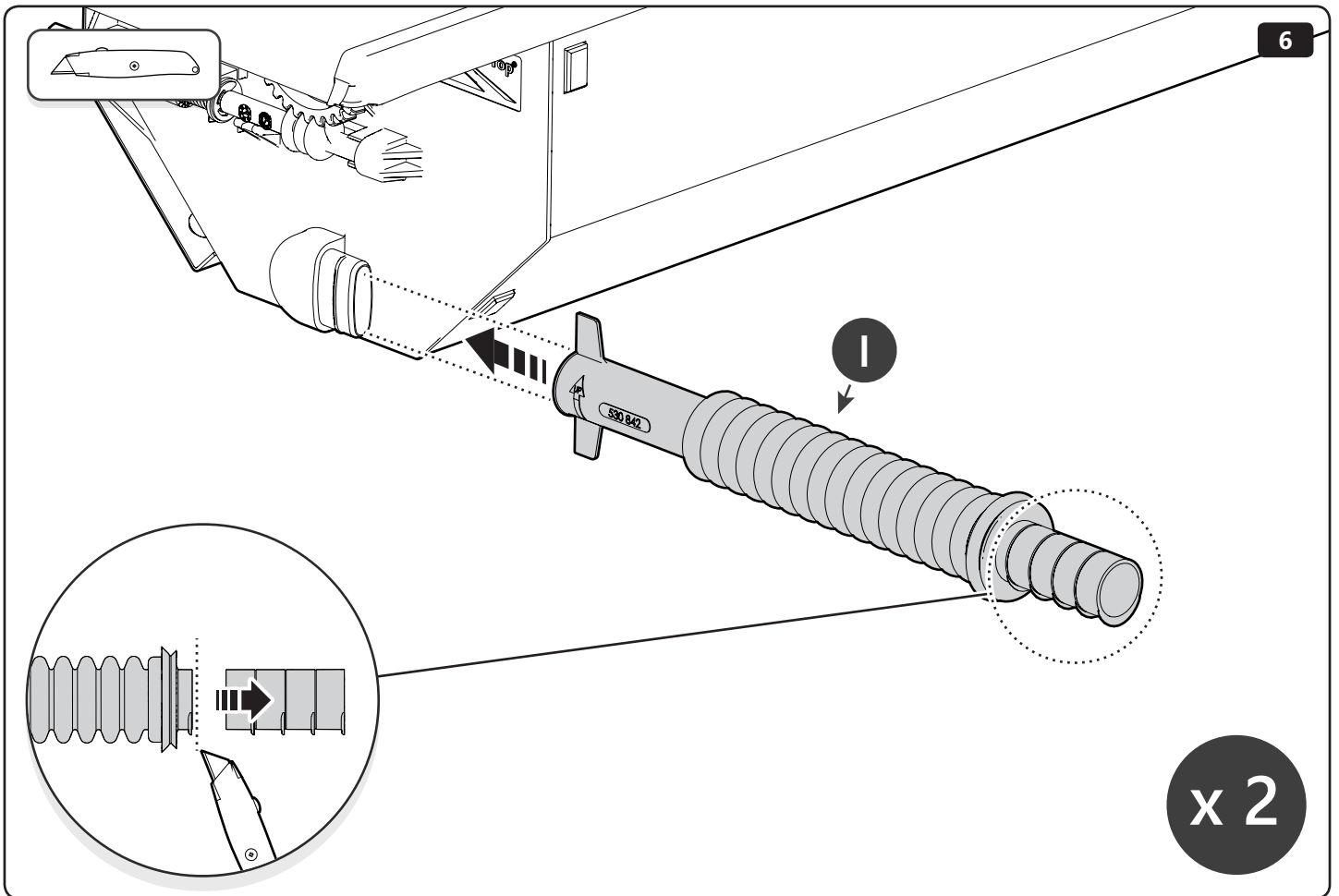
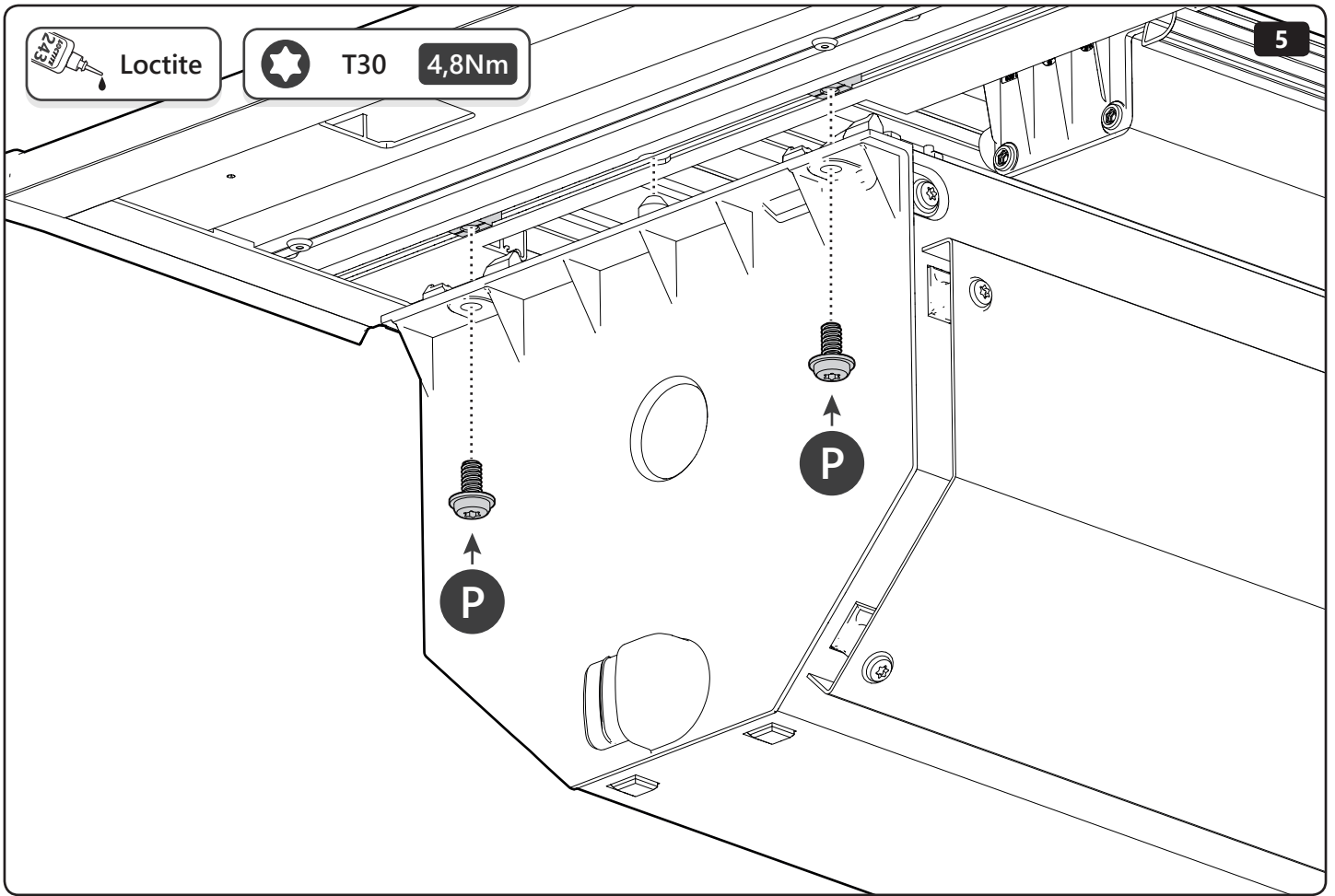
2



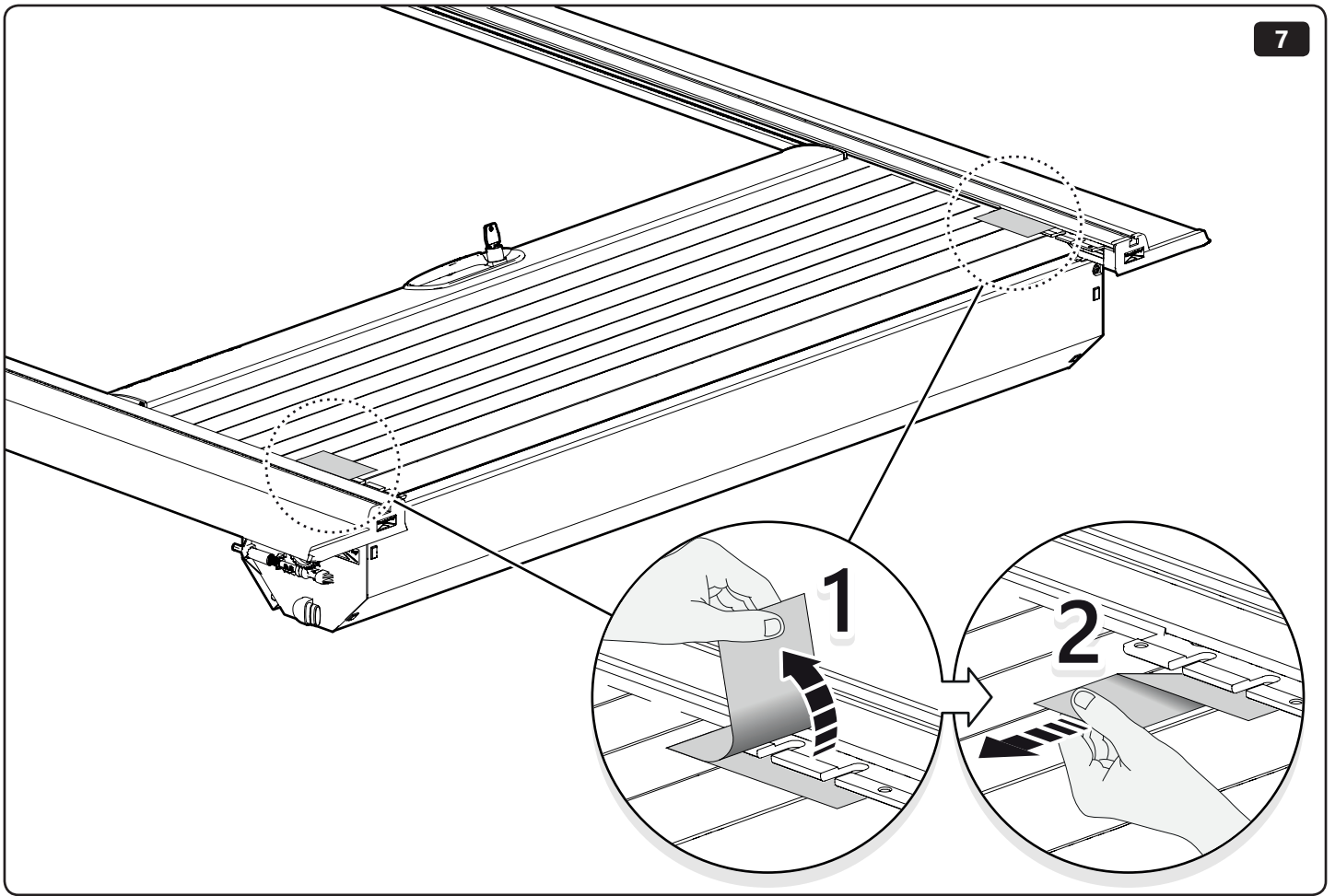
3



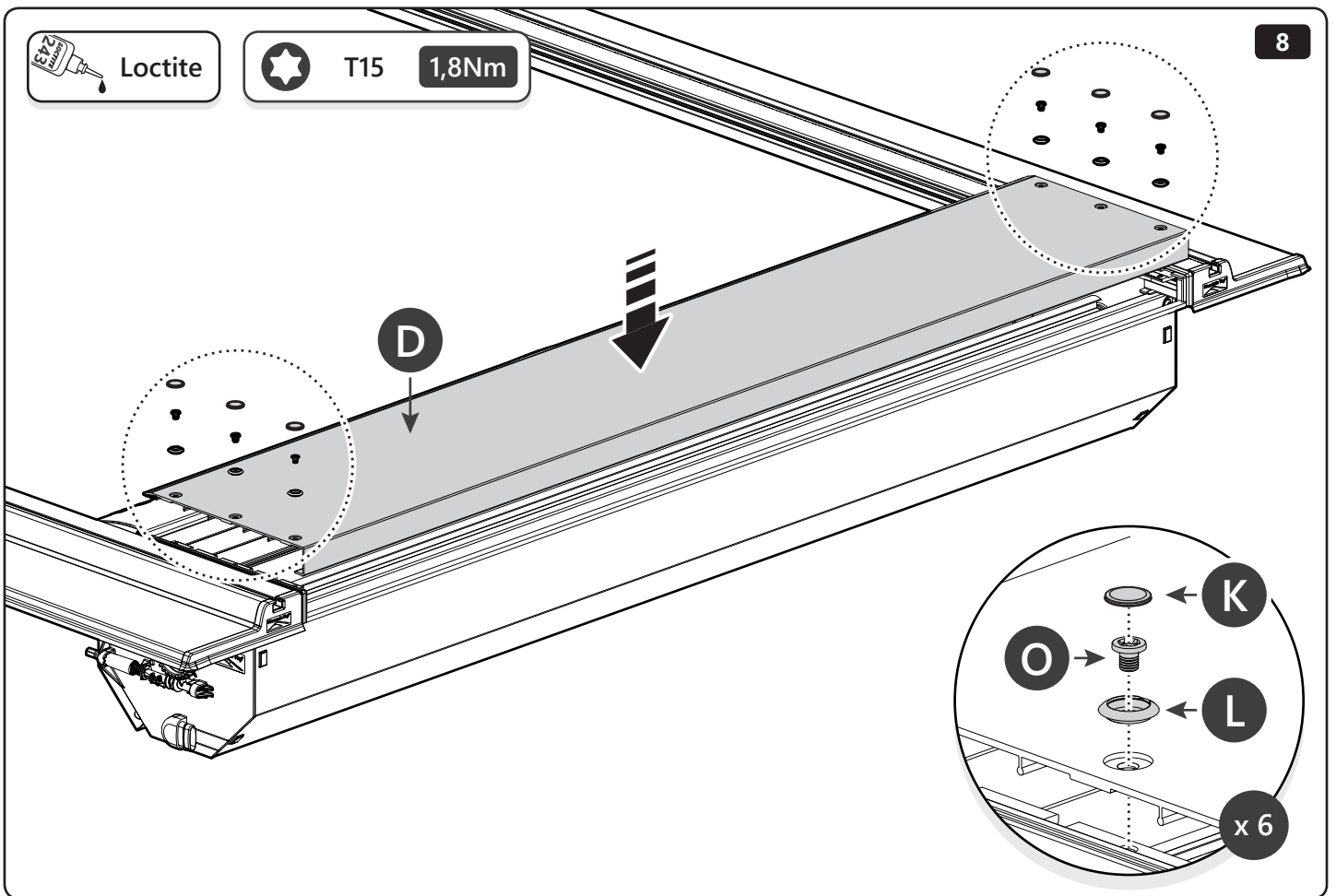


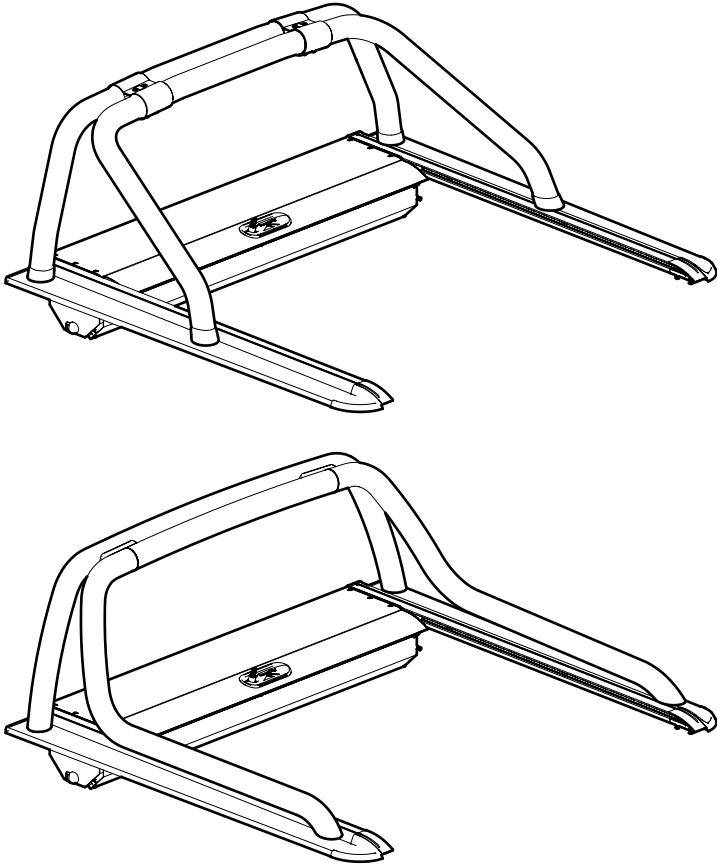


7



8



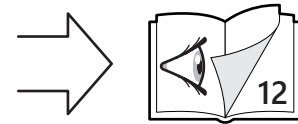
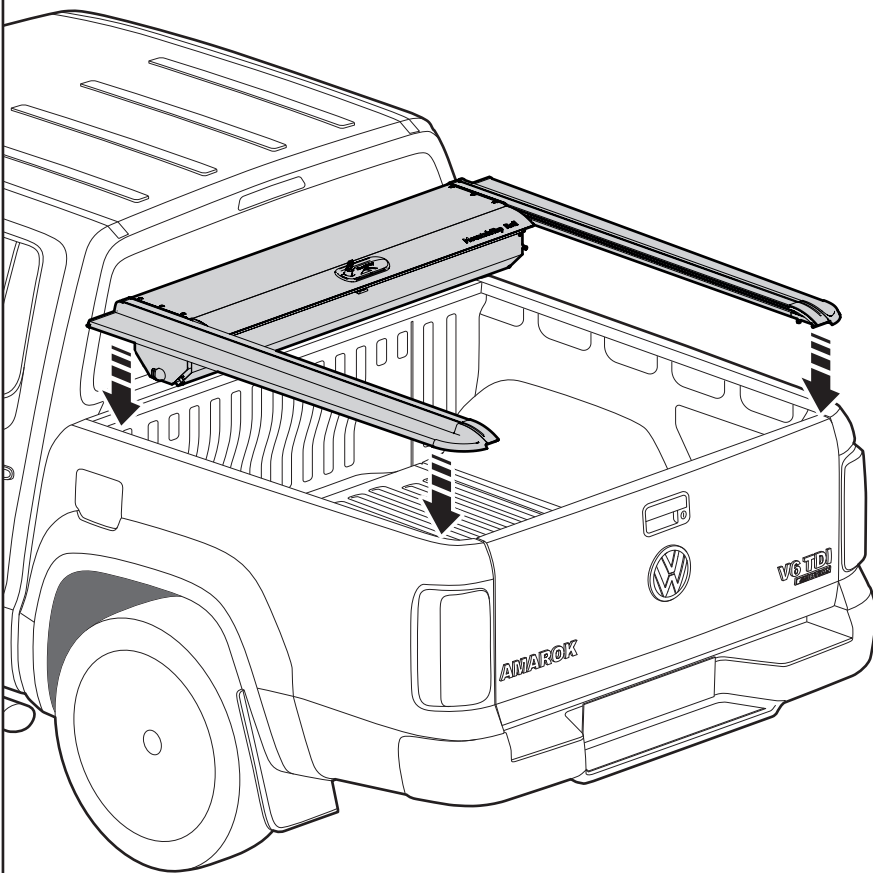


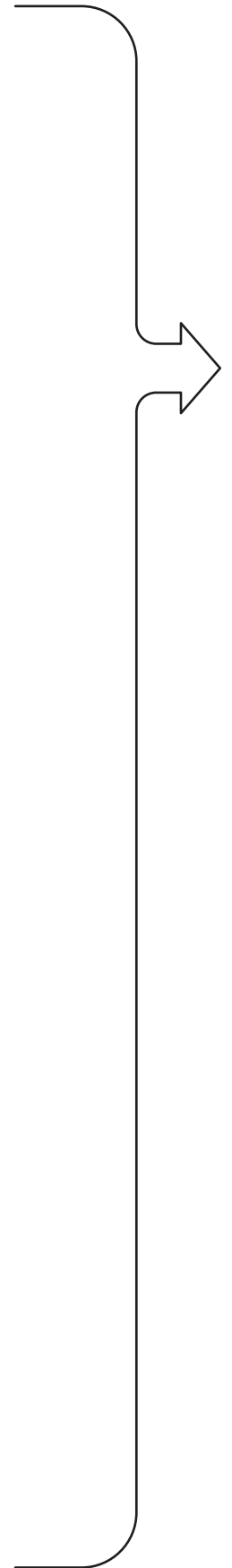
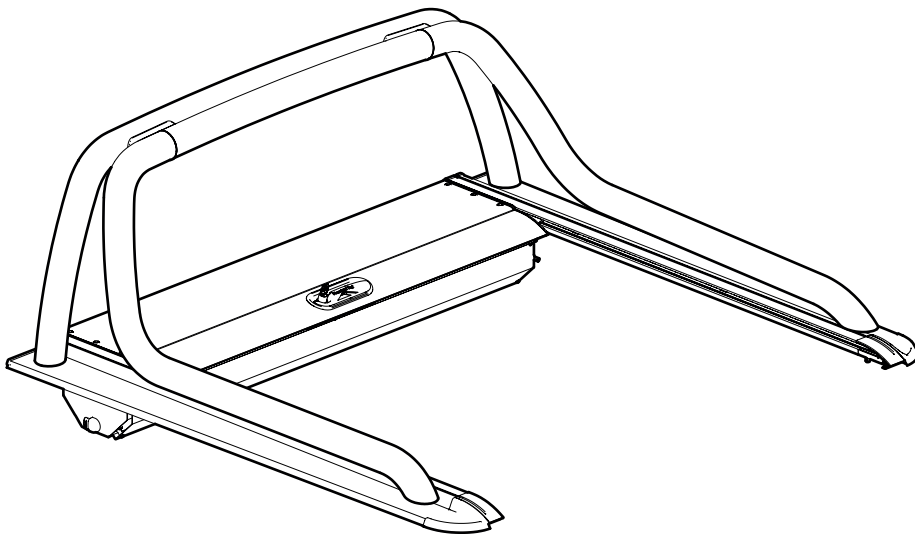
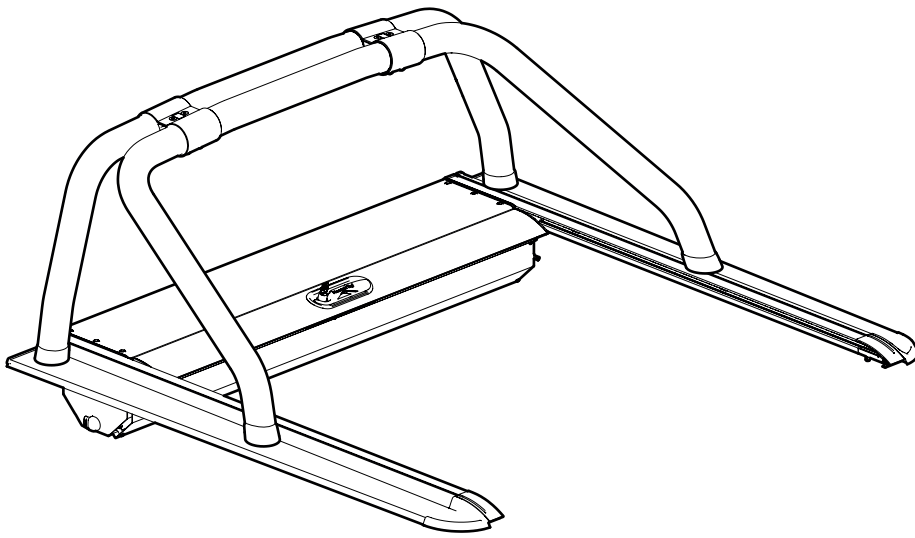
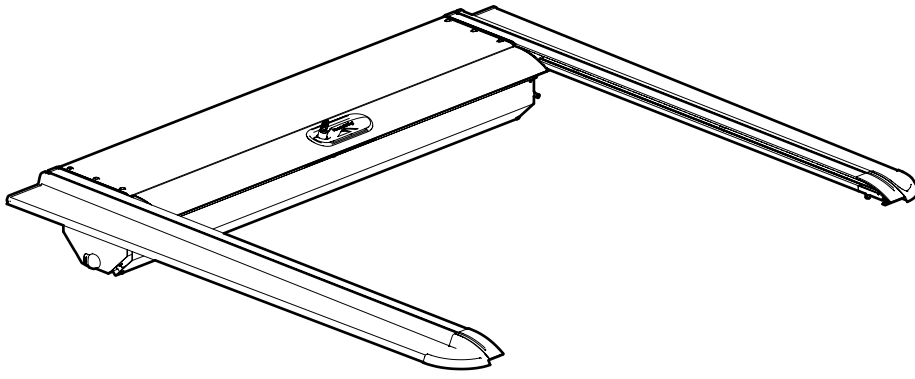
889 140

SB 0060

DOWNLOAD PDF

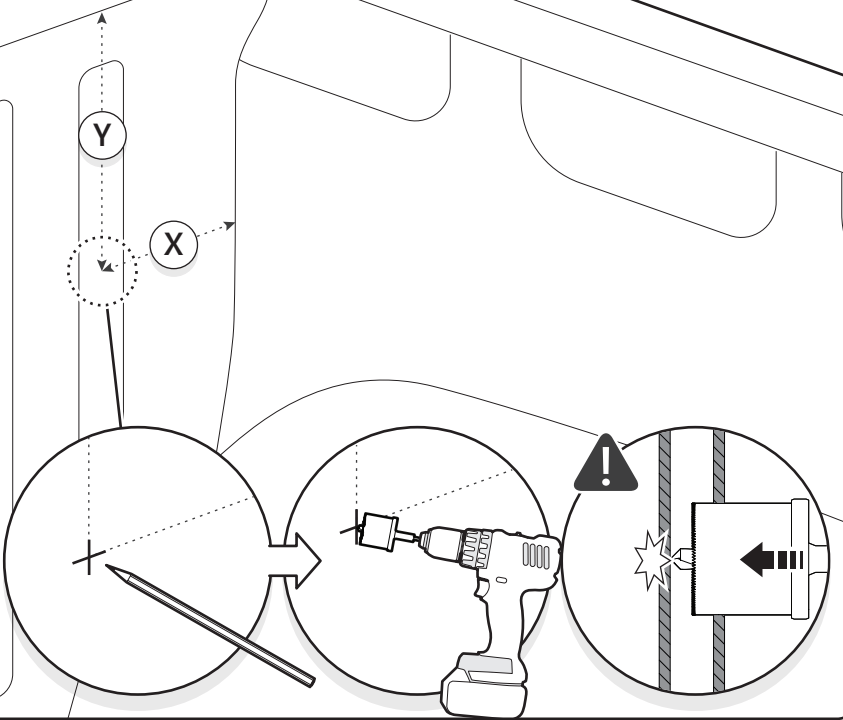
VIEW WEB PAGE

A central graphic containing two product information cards. The left card features a document icon, the part number '889 140', a QR code, and the text 'DOWNLOAD PDF'. The right card features a box icon, the part number 'SB 0060', a QR code, and the text 'VIEW WEB PAGE'. A plus sign is positioned between the two cards, and a large arrow points from the bike rack drawings to this block.





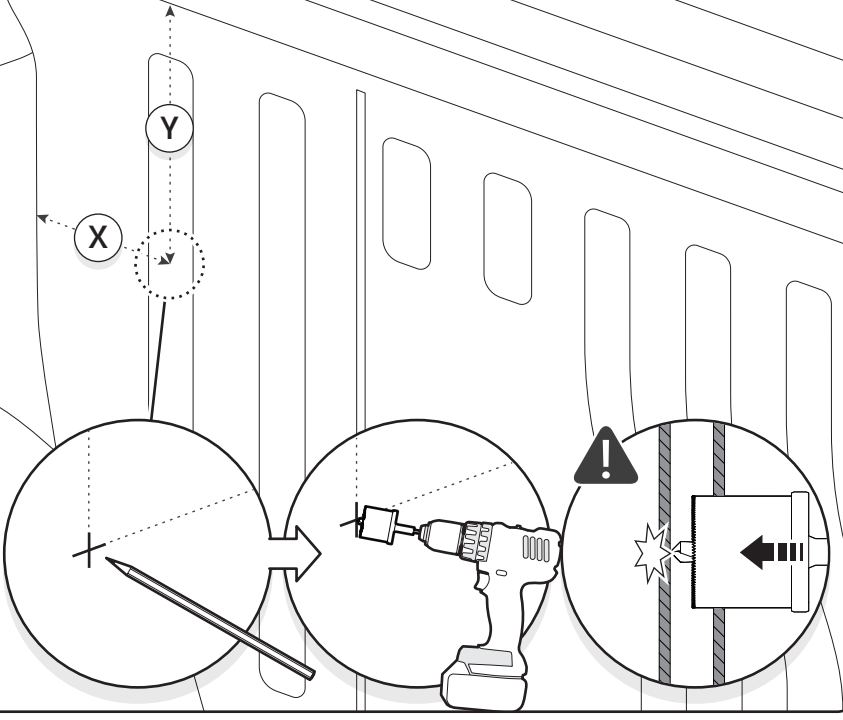
11



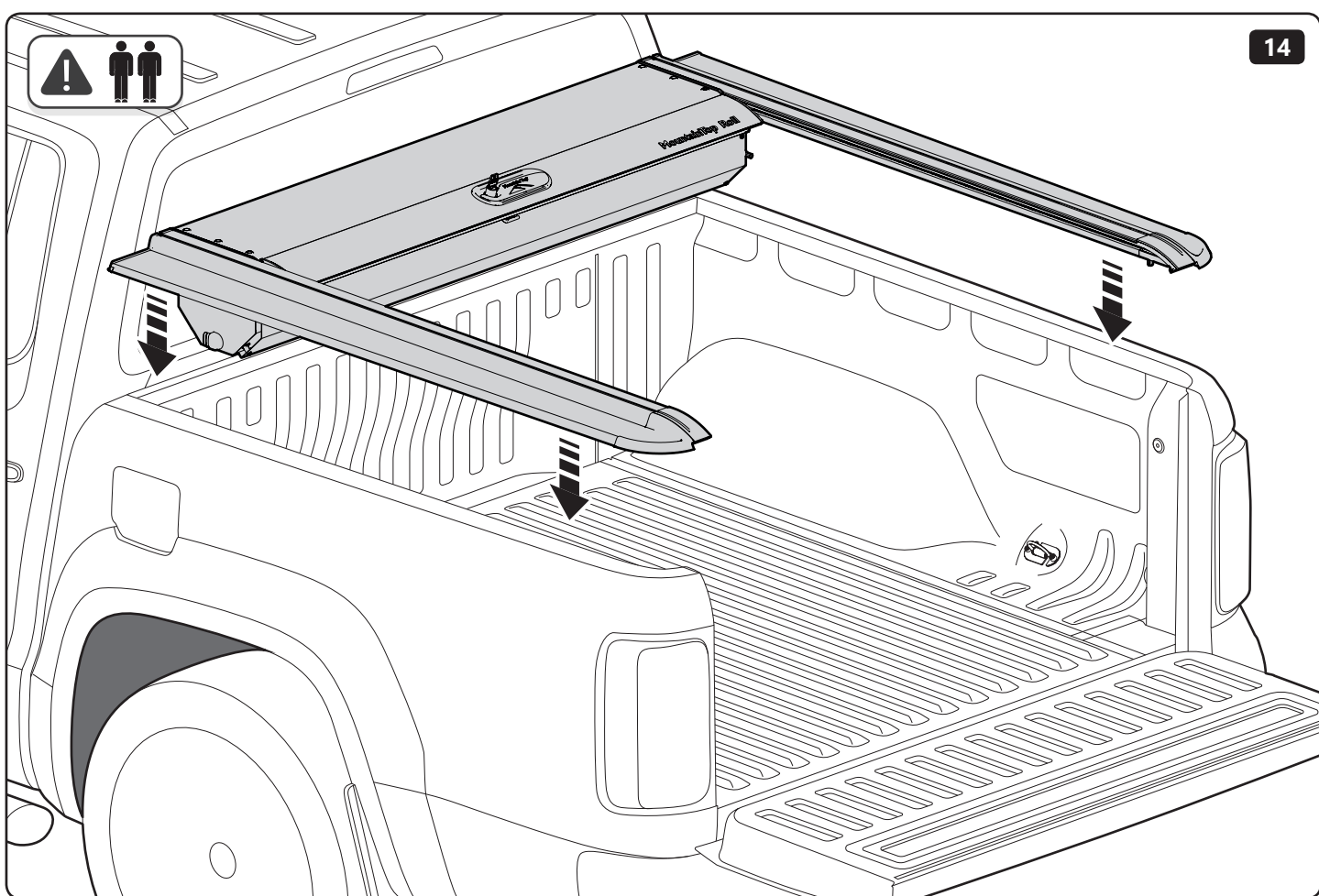
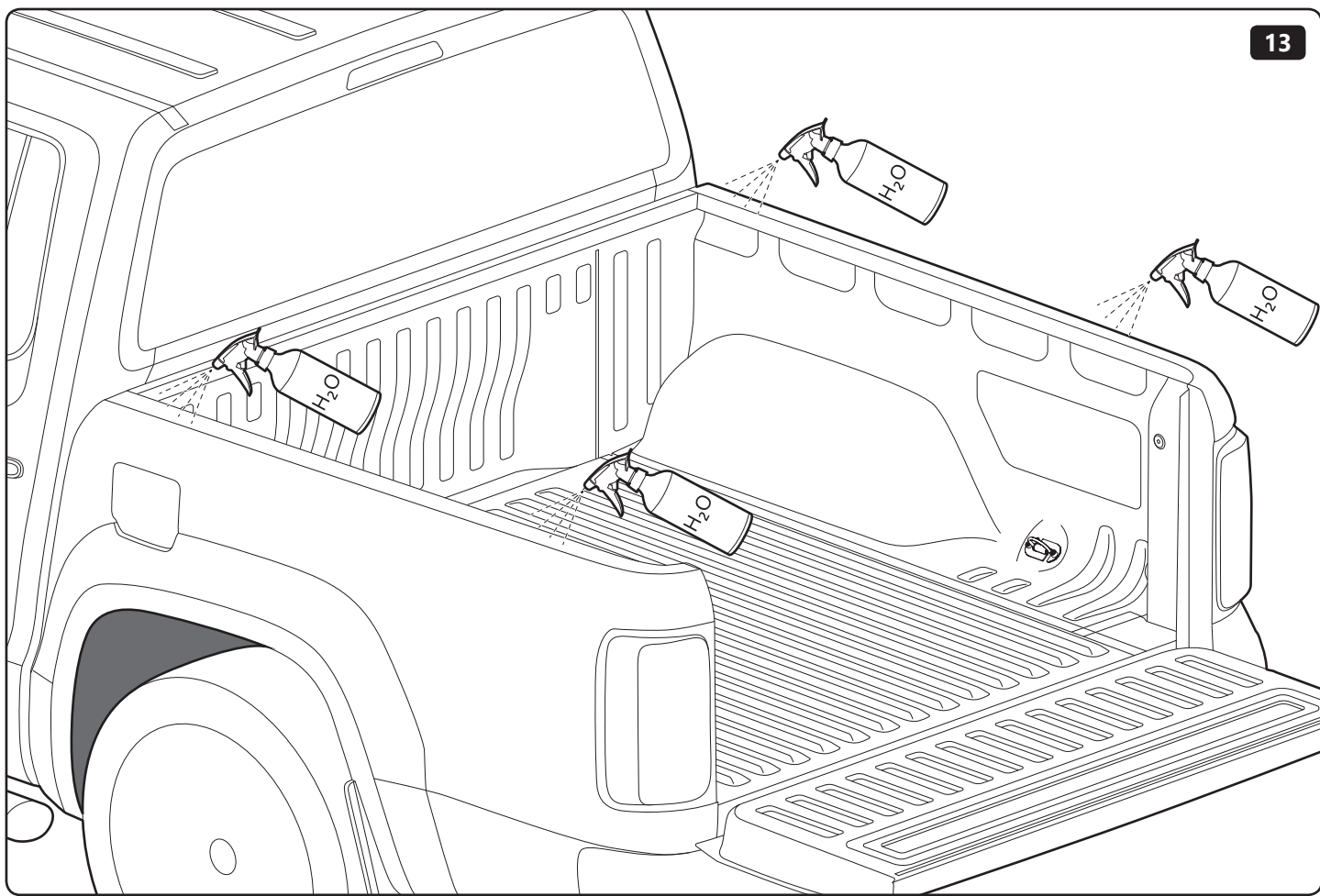
Volkswagen X: 150 mm Y: 170 mm

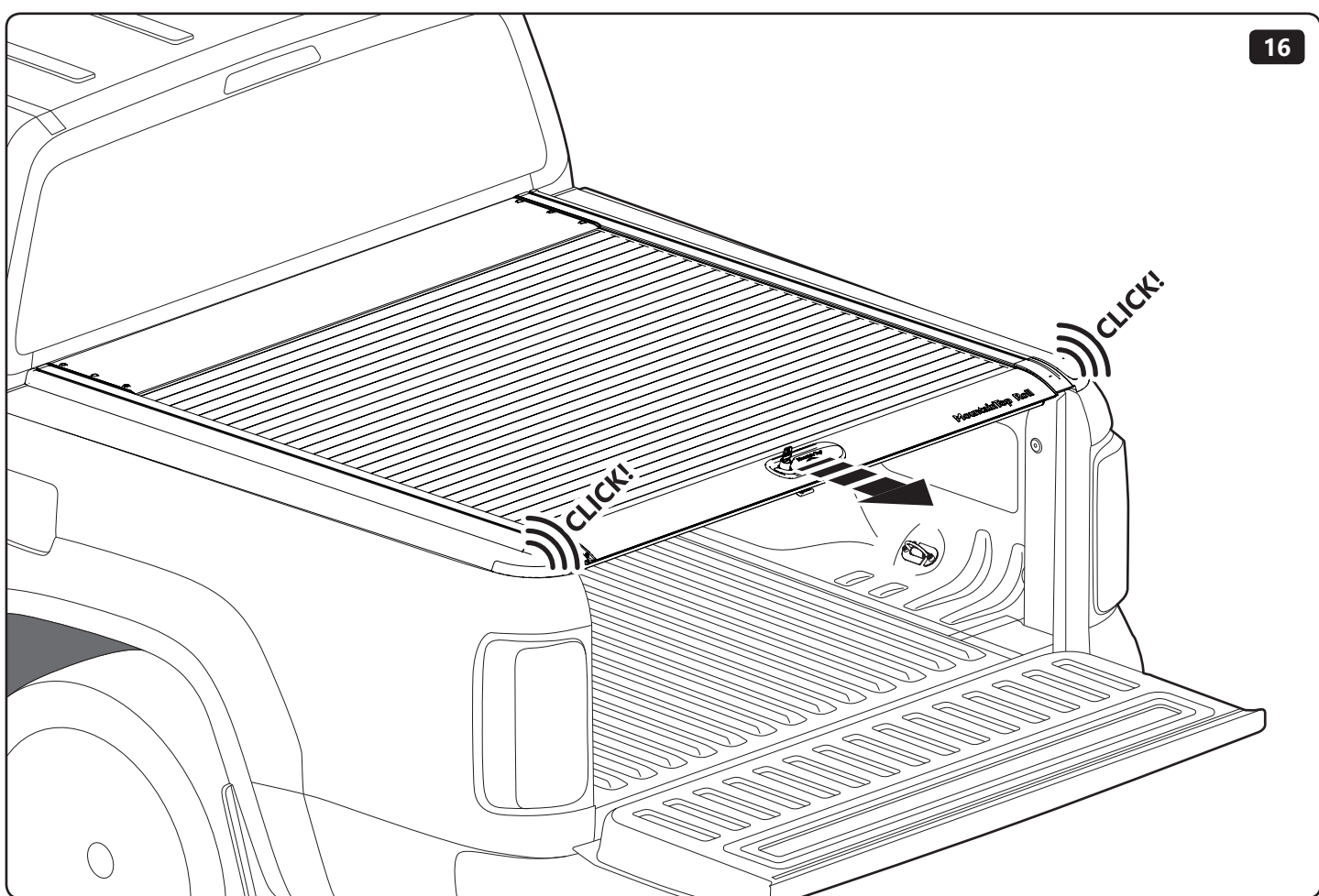
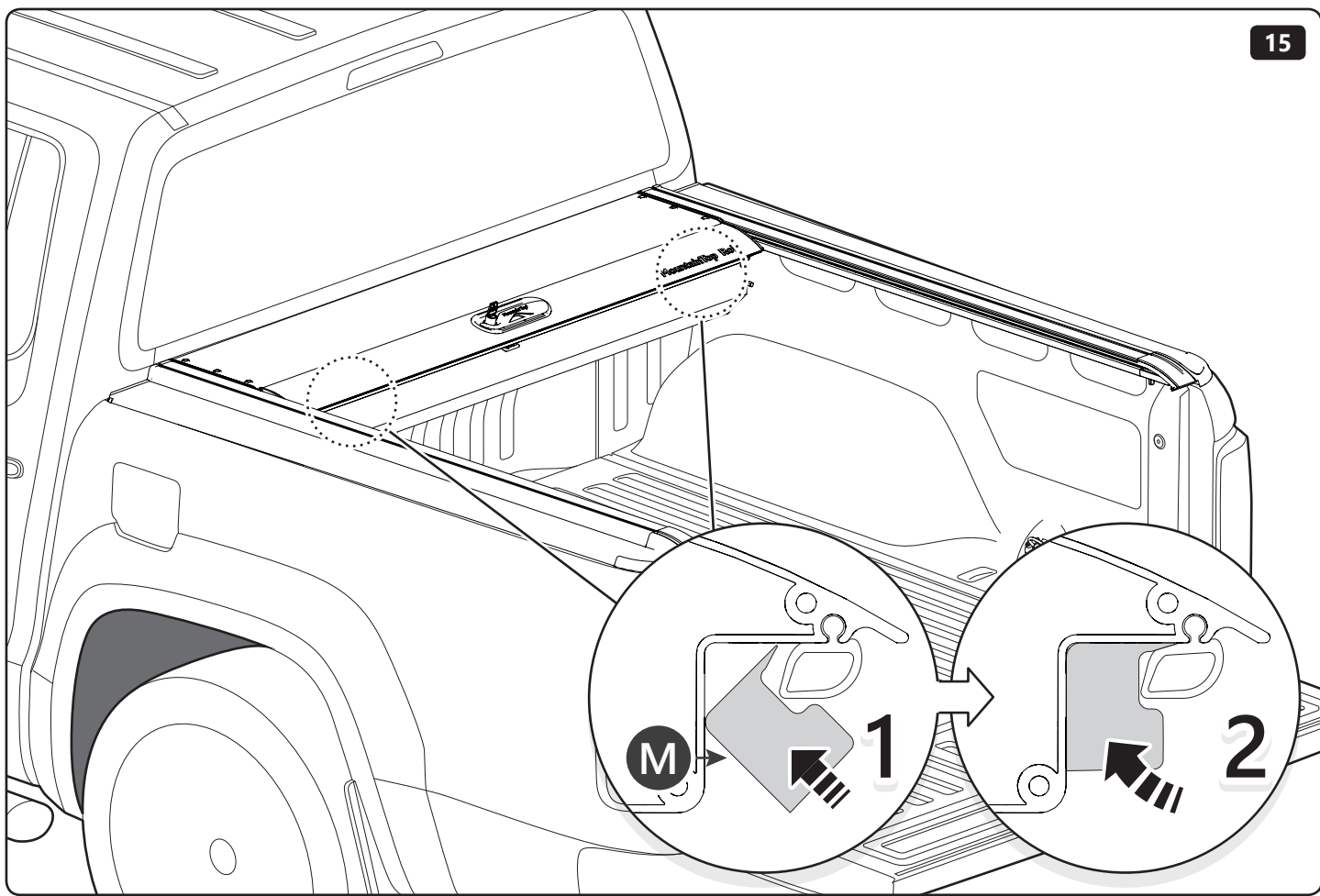


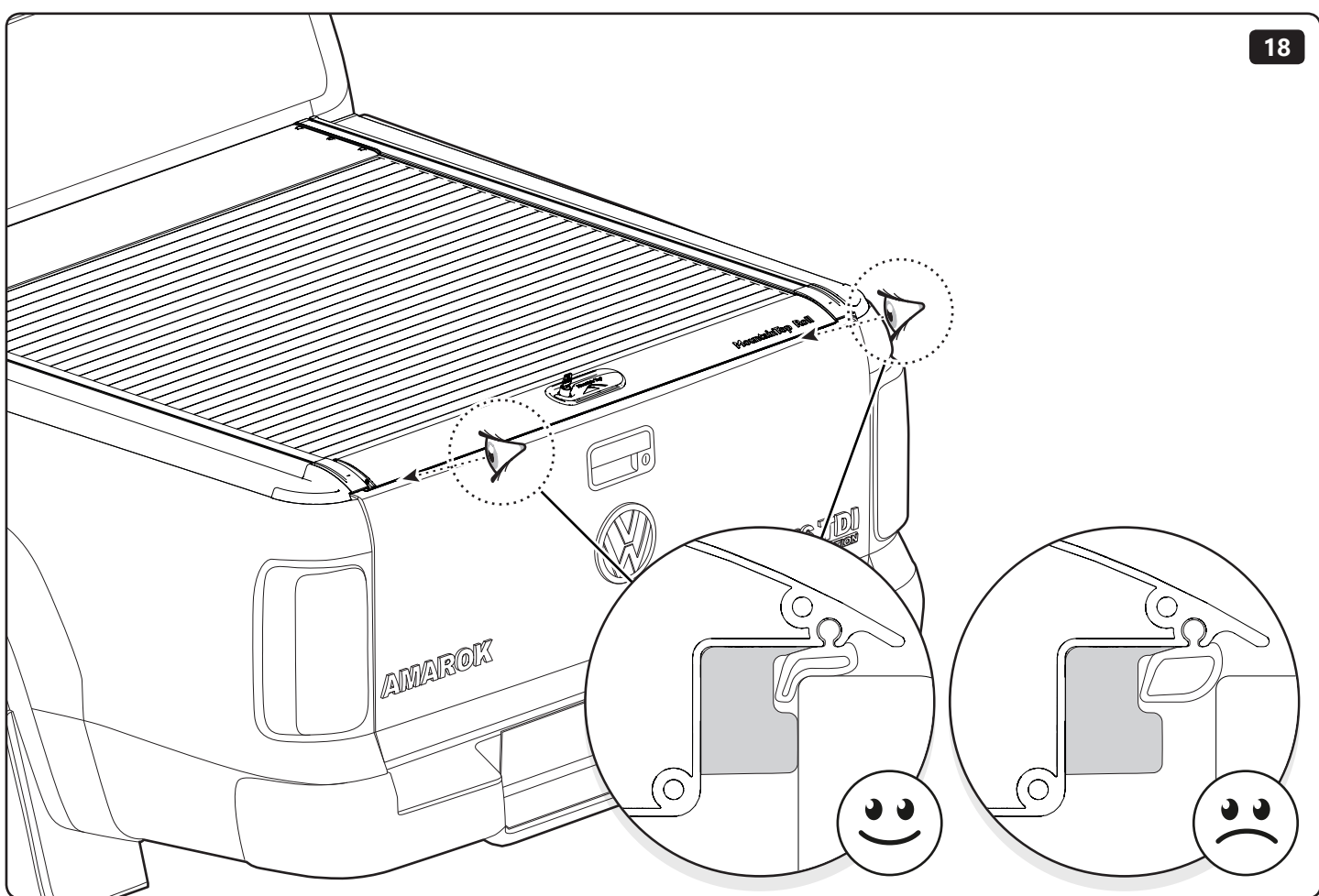
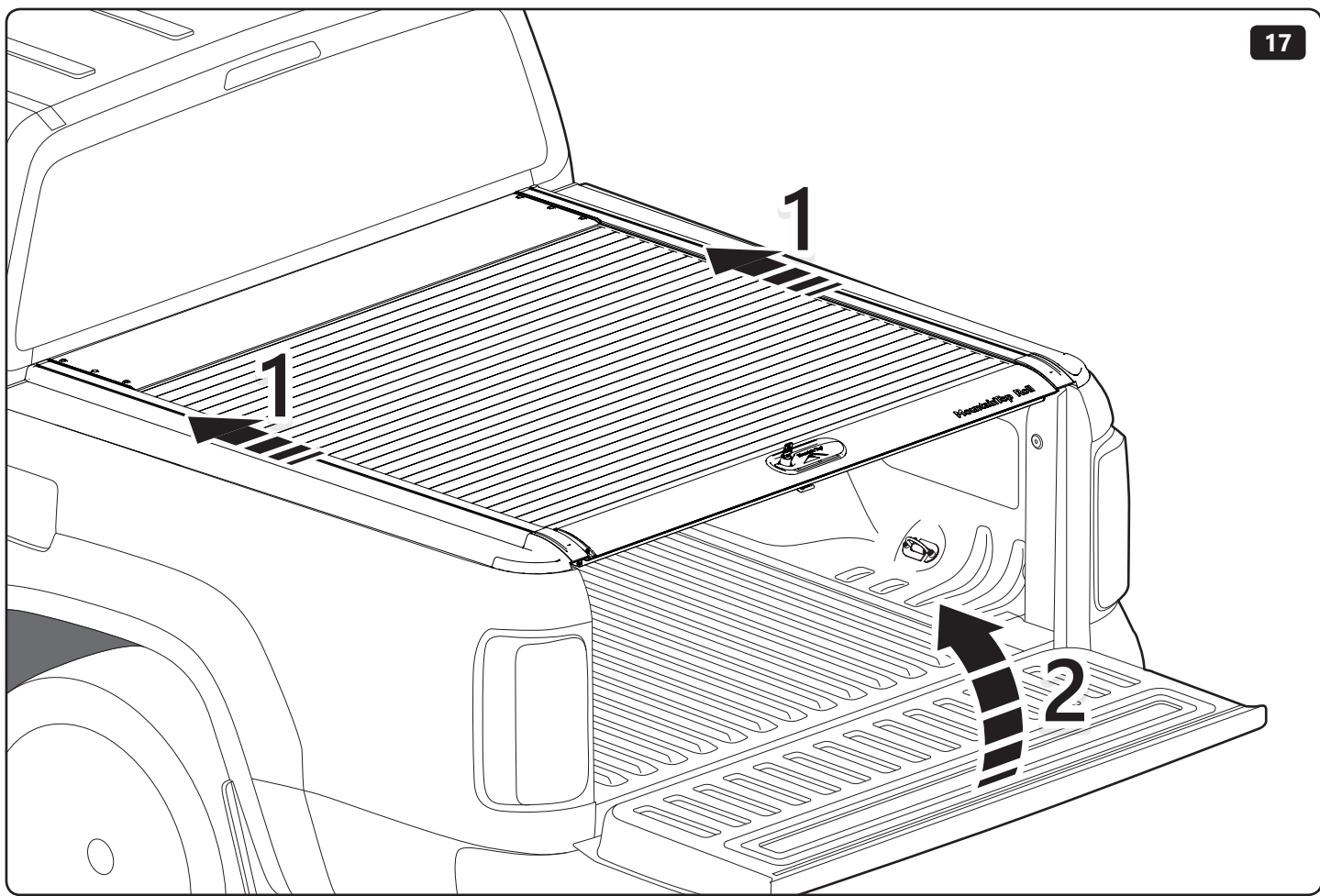
12

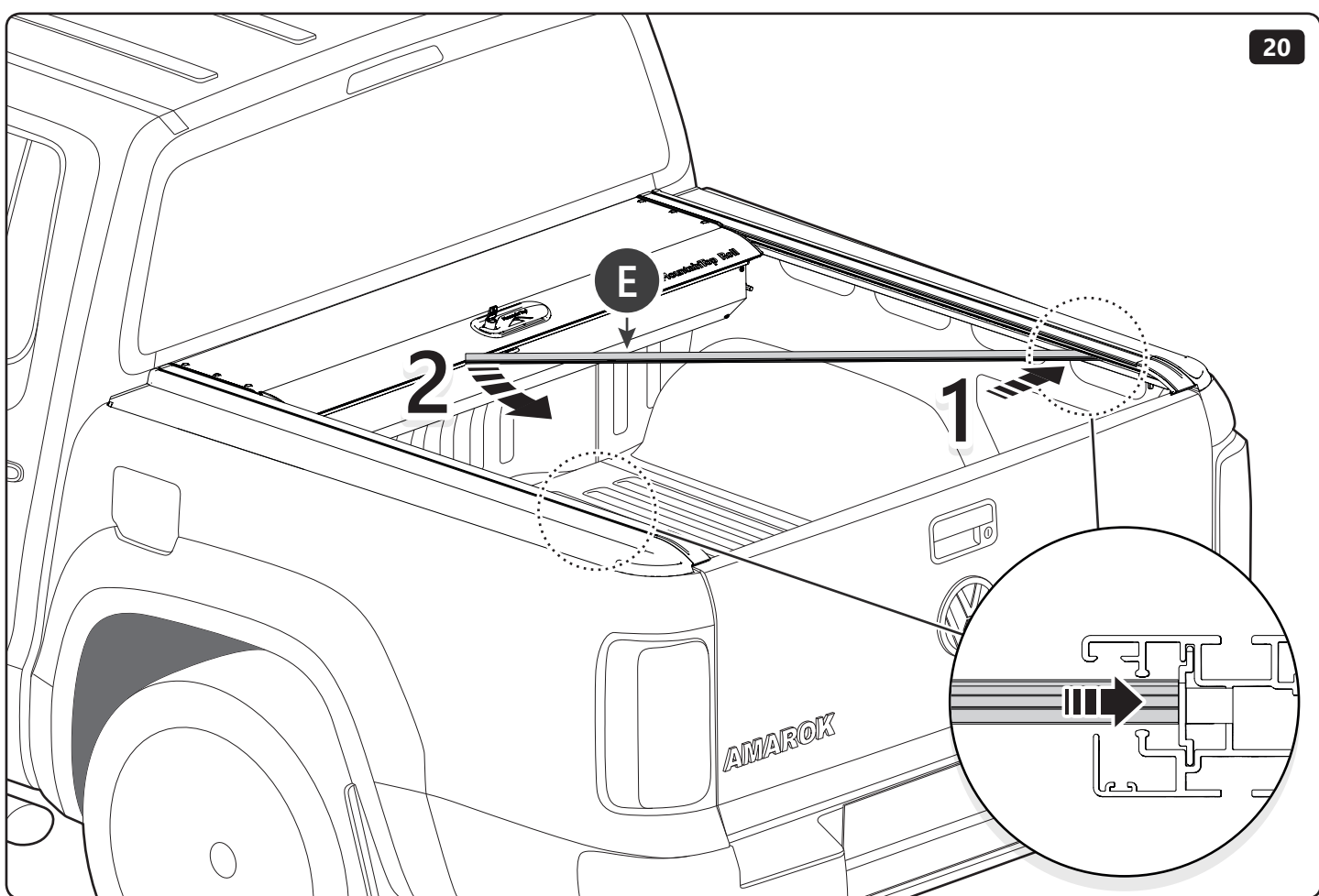
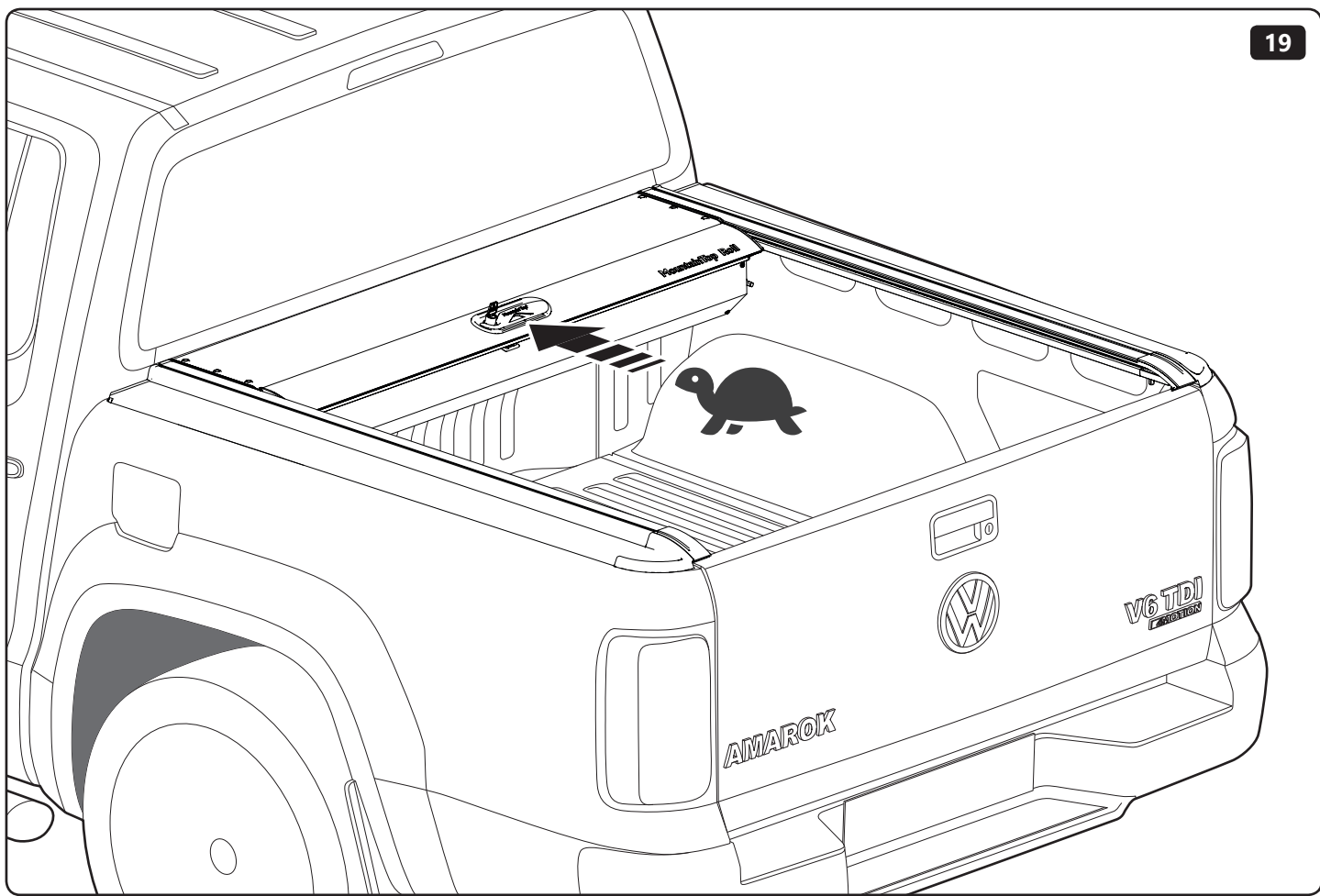


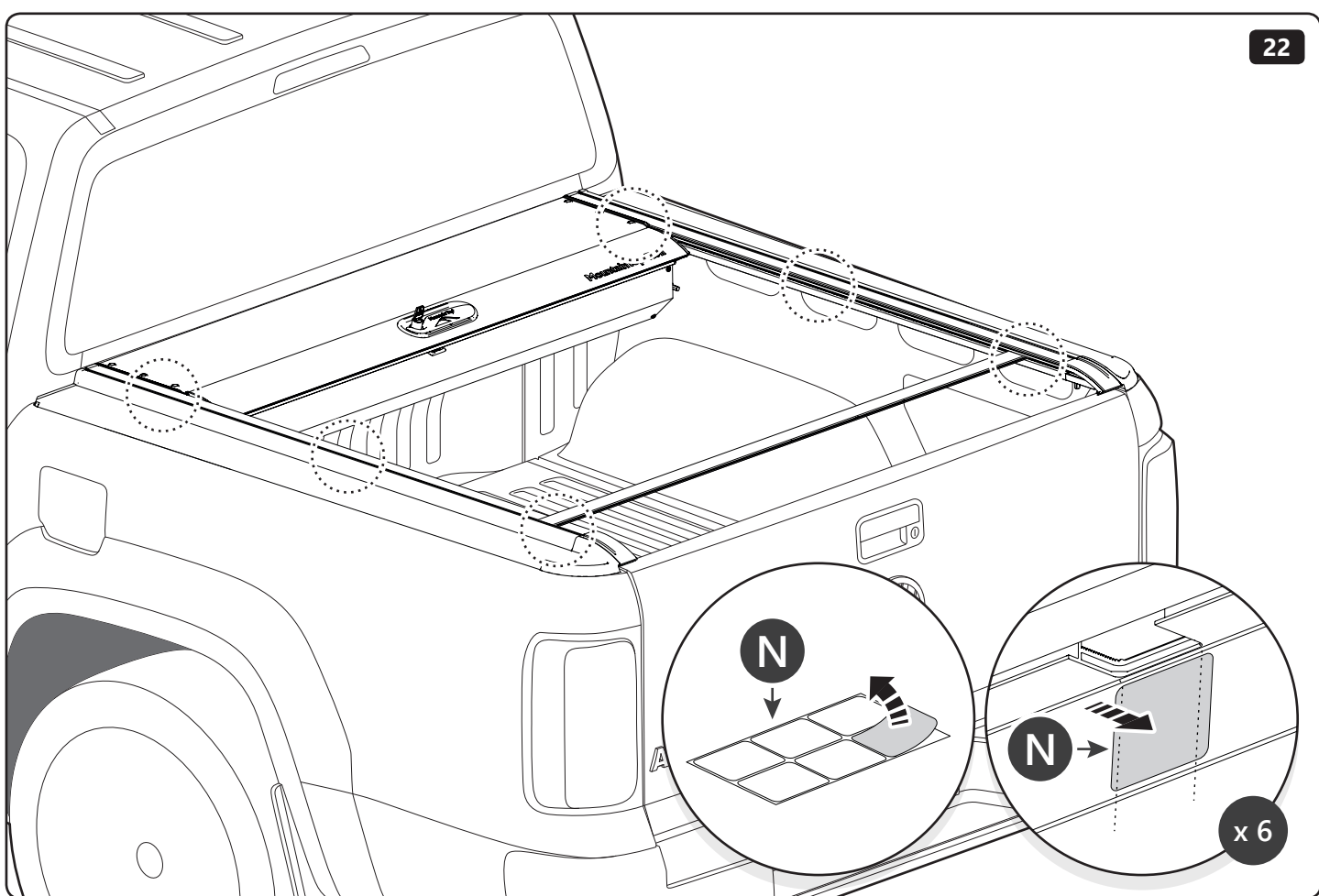
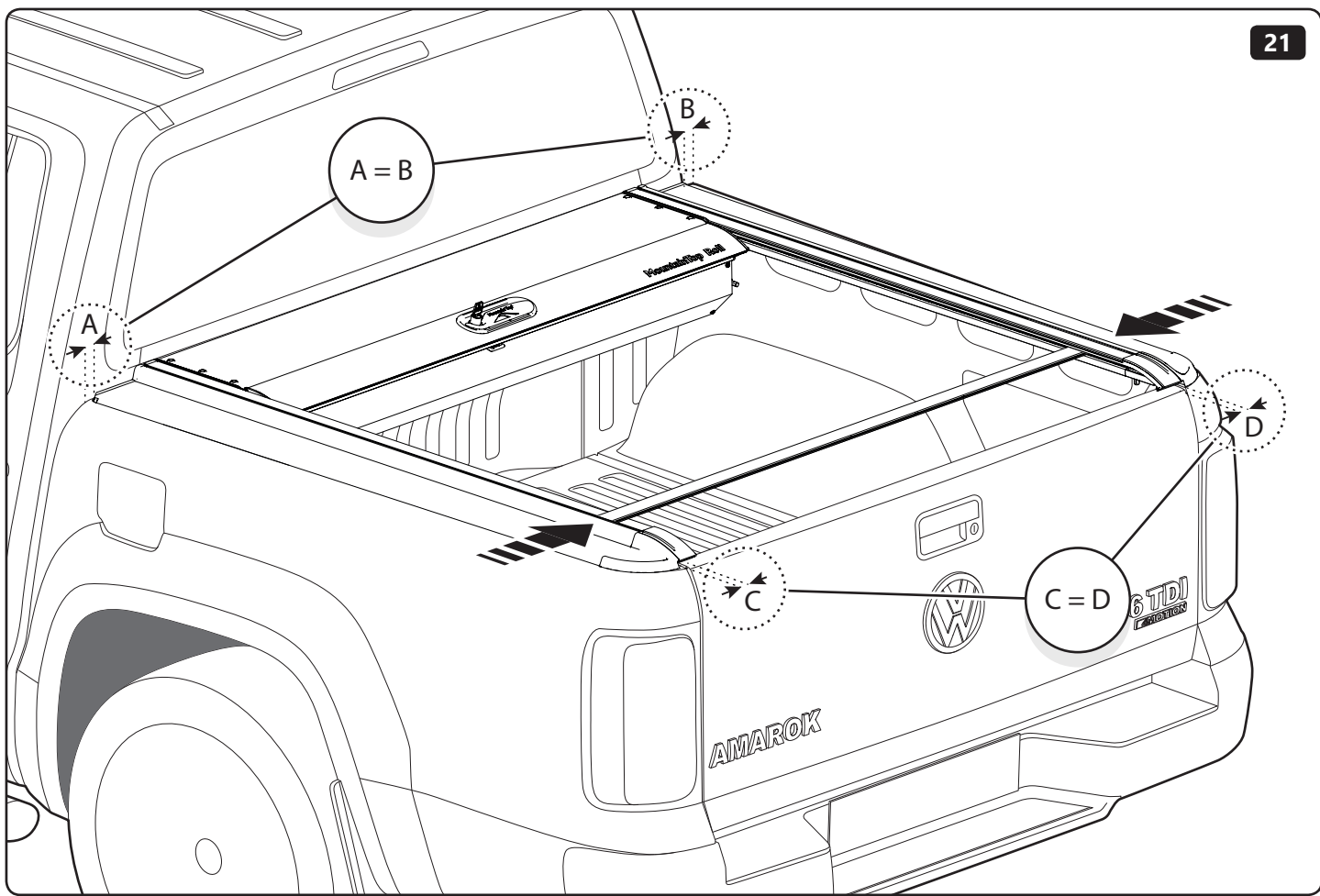
Volkswagen X: 150 mm Y: 170 mm

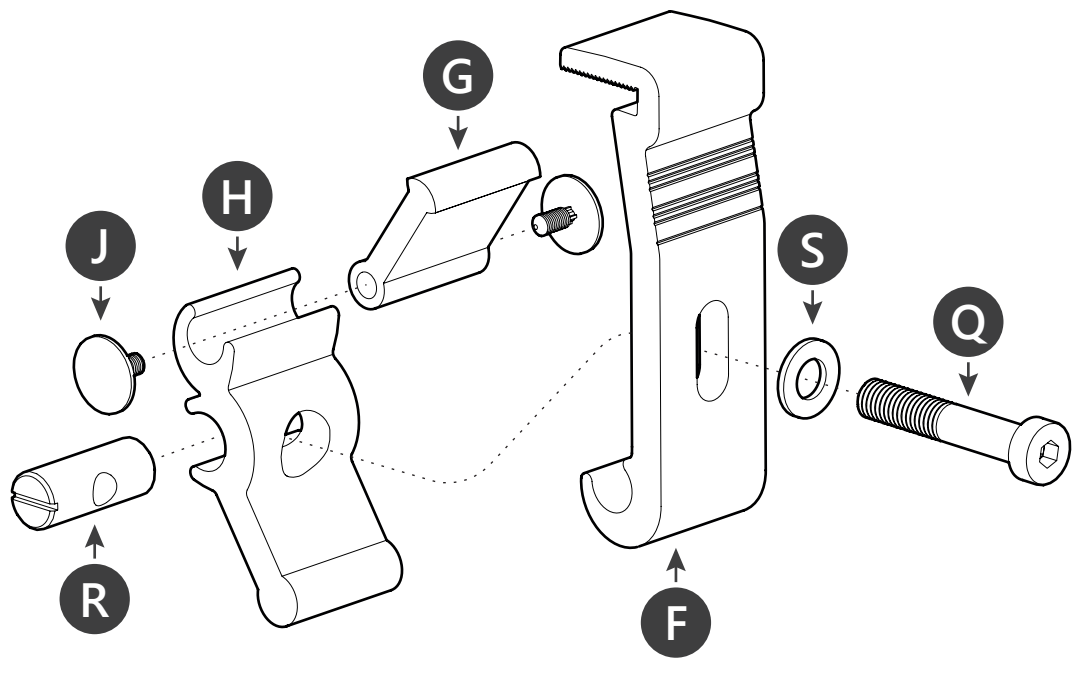




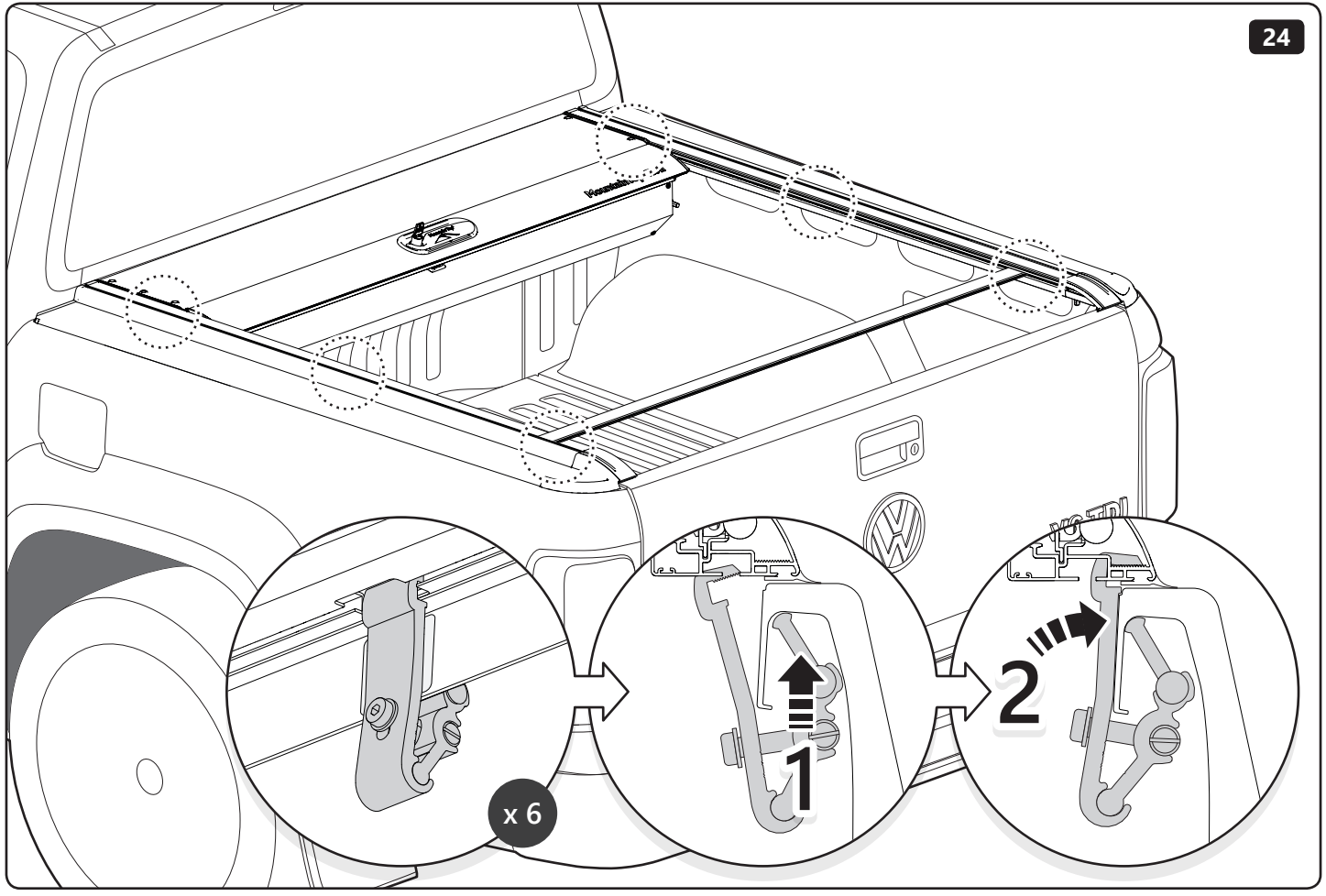


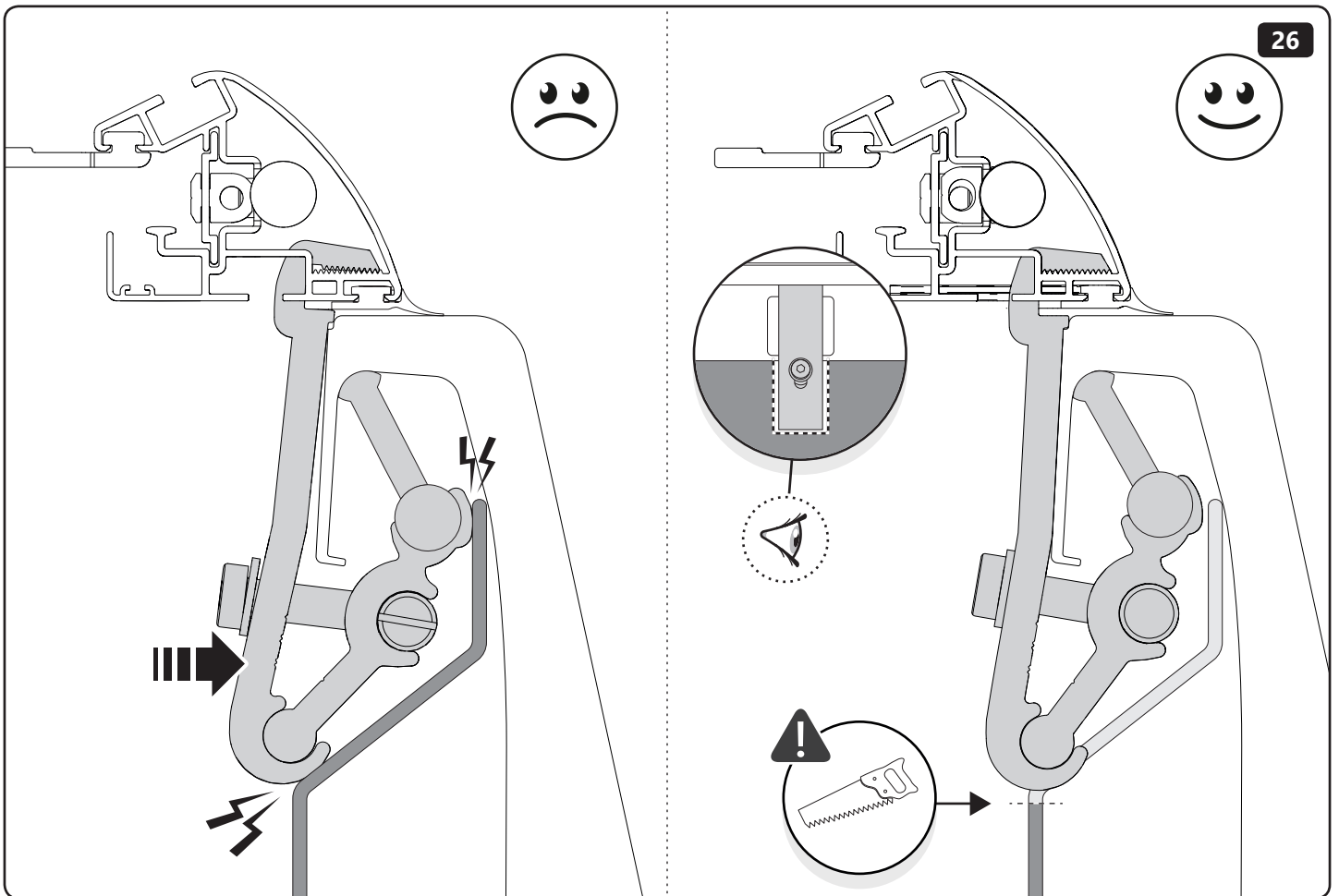
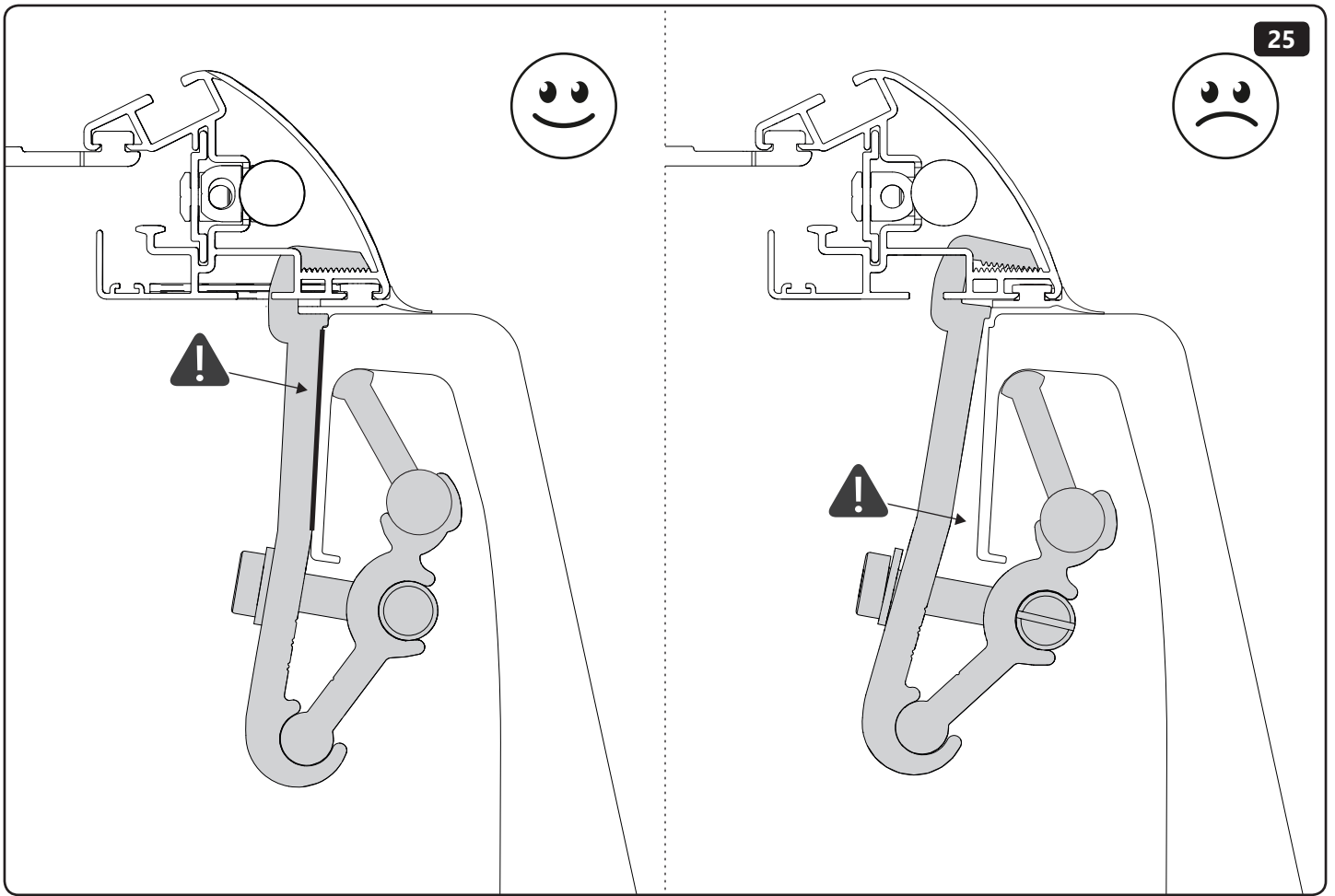


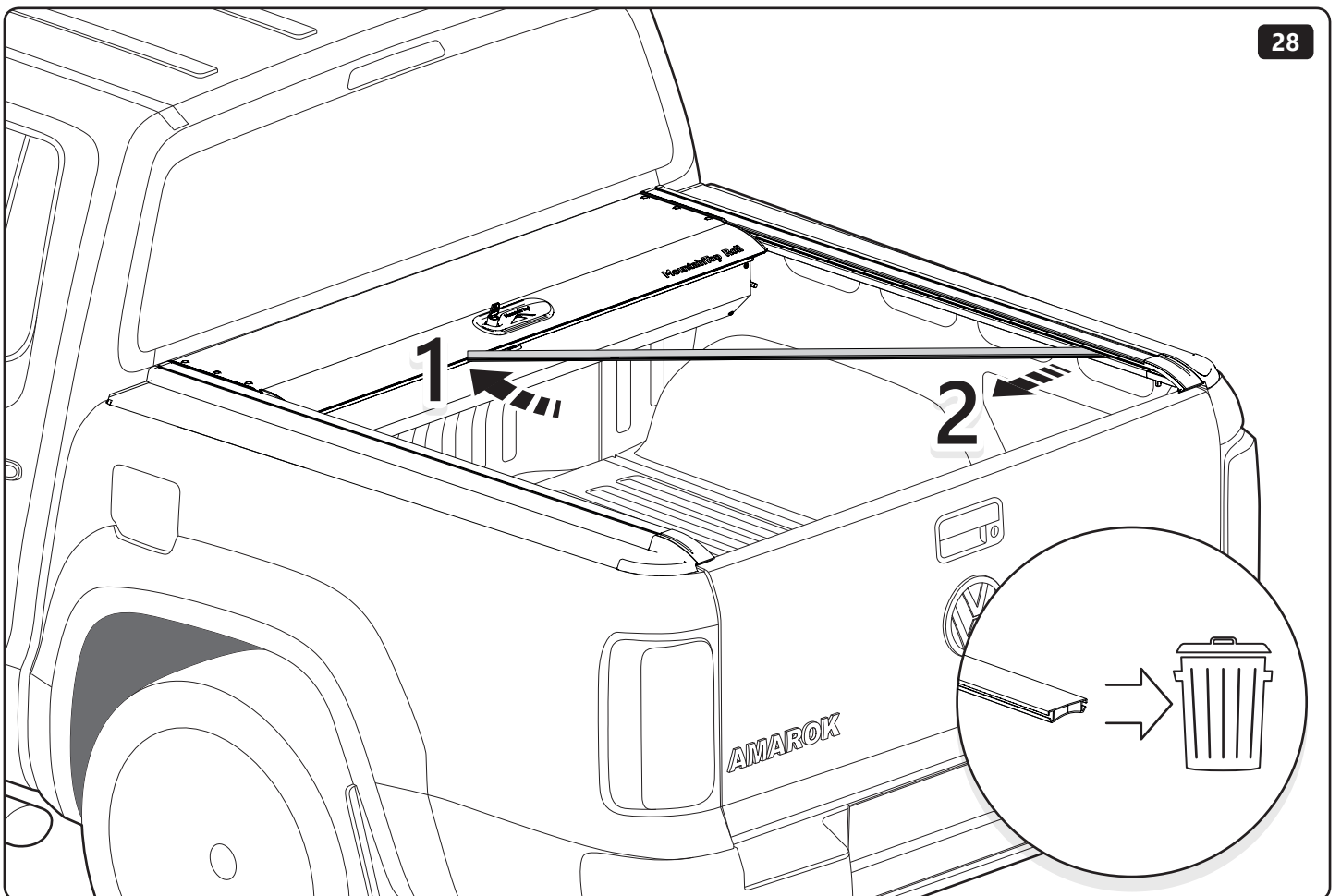
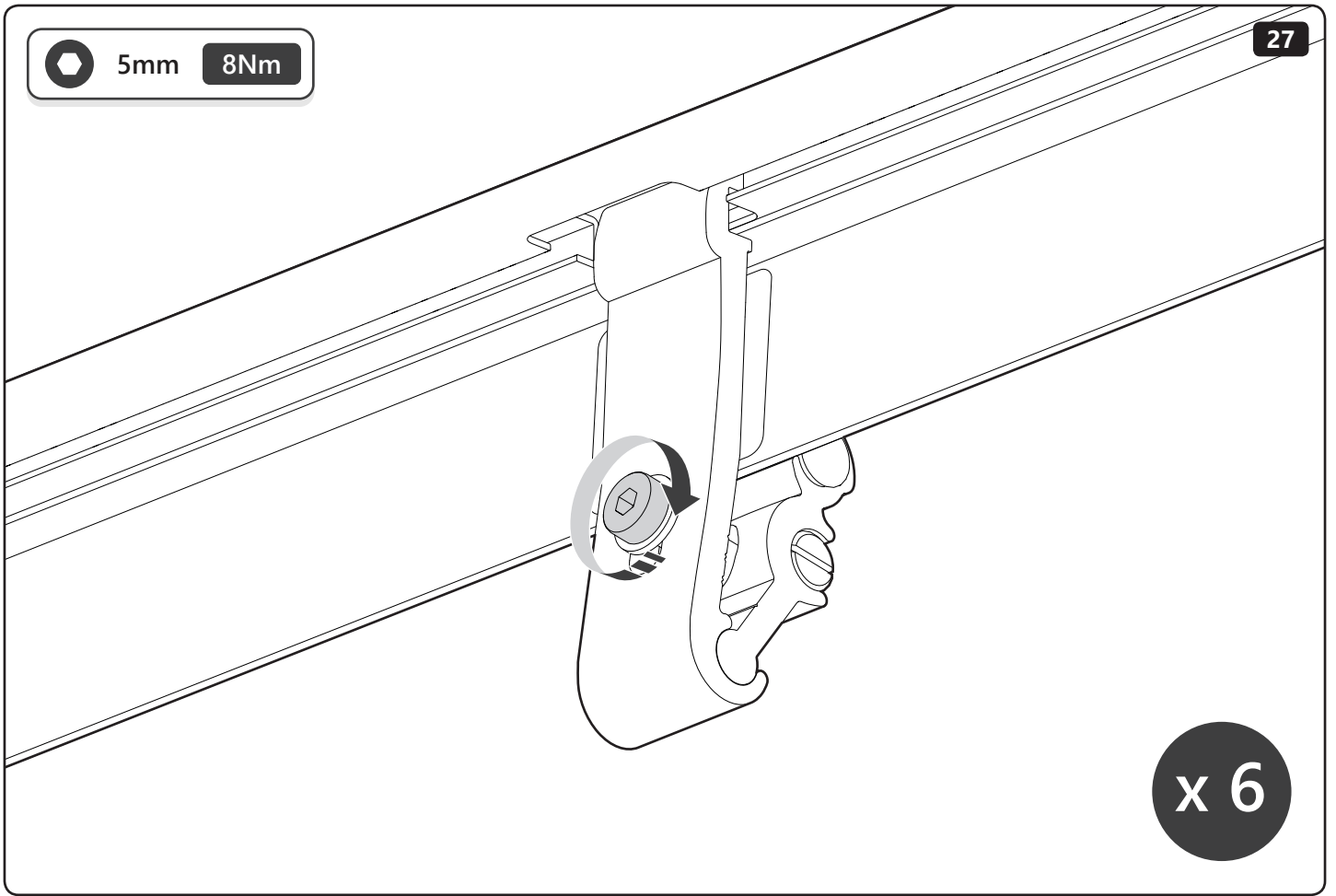


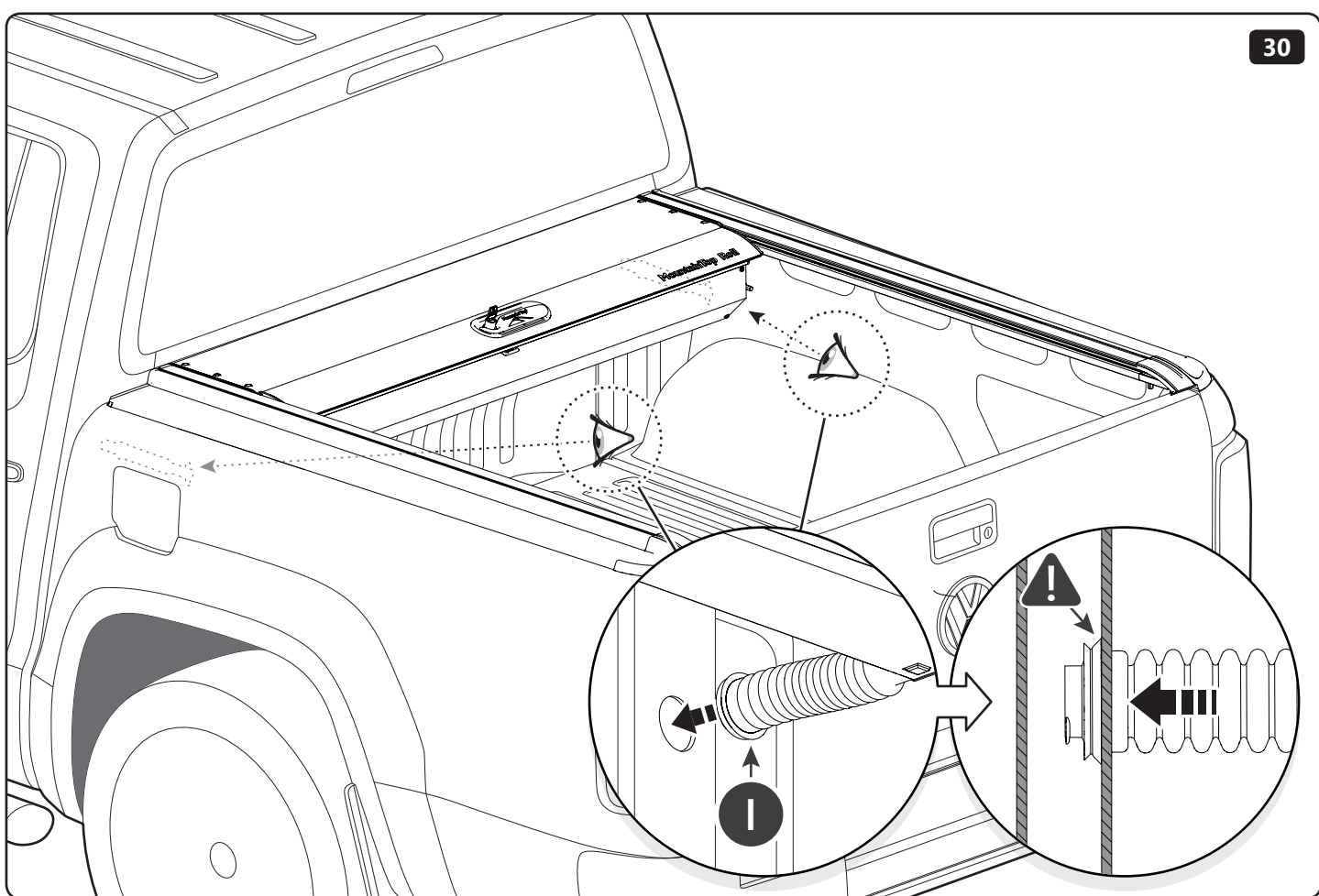
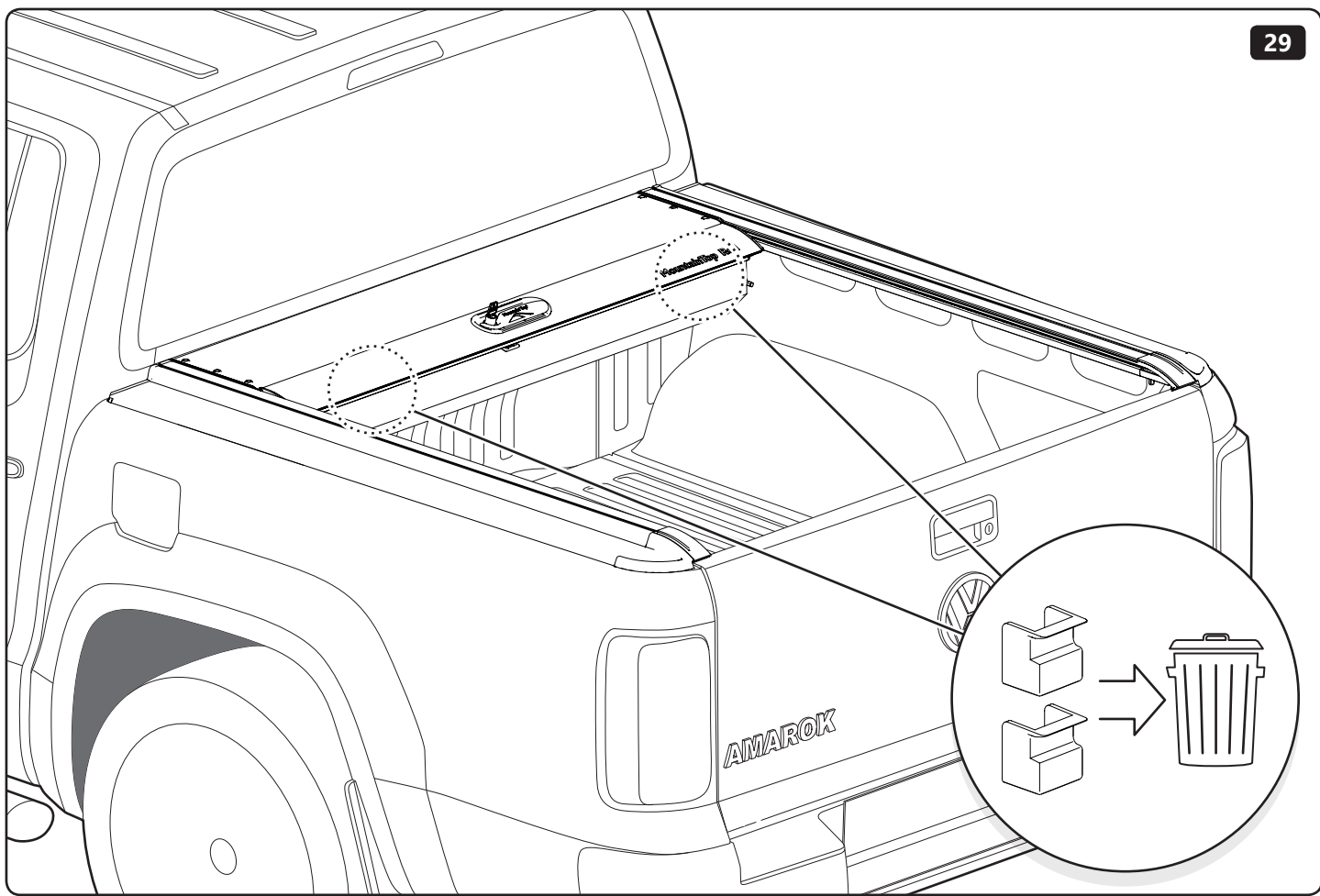


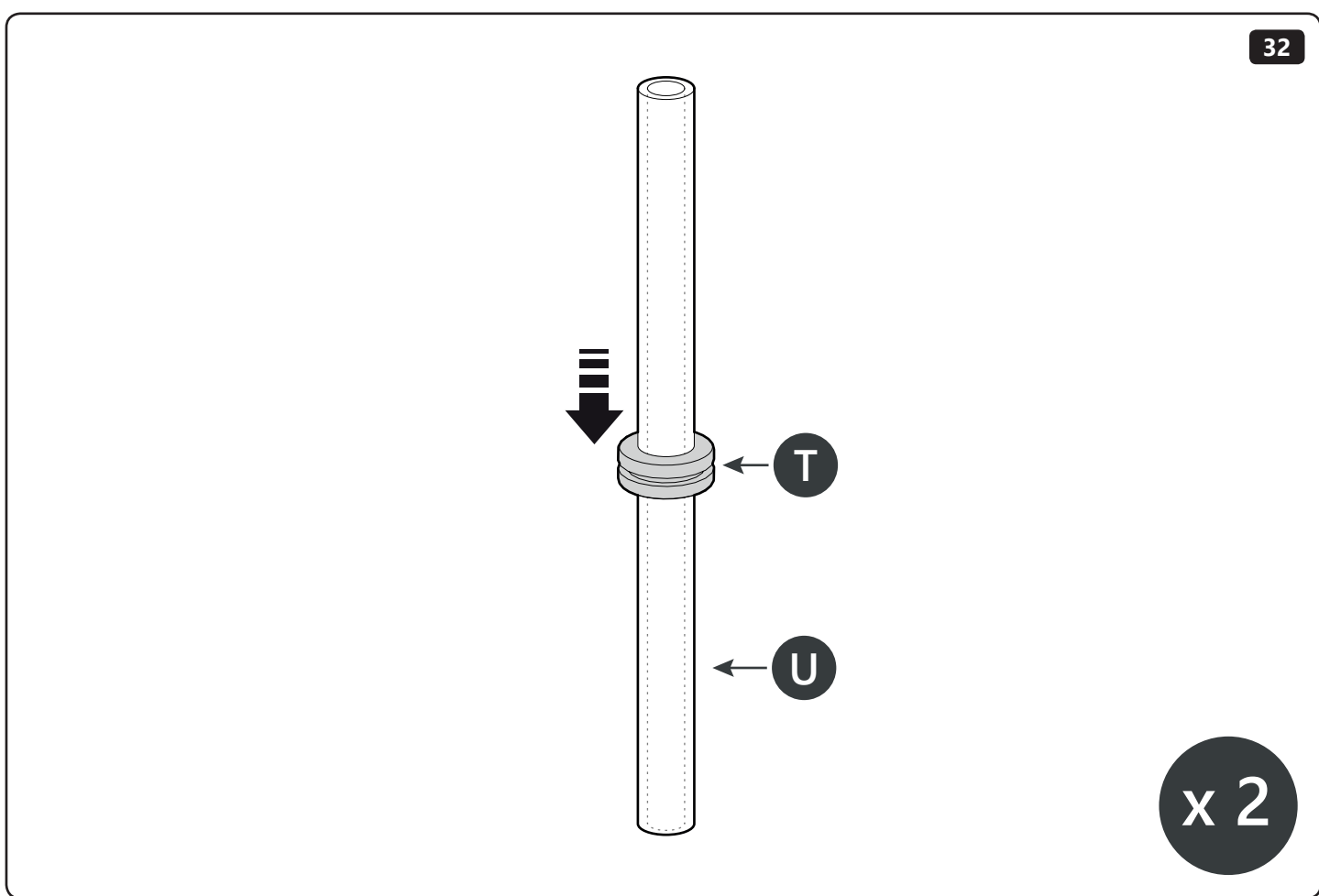
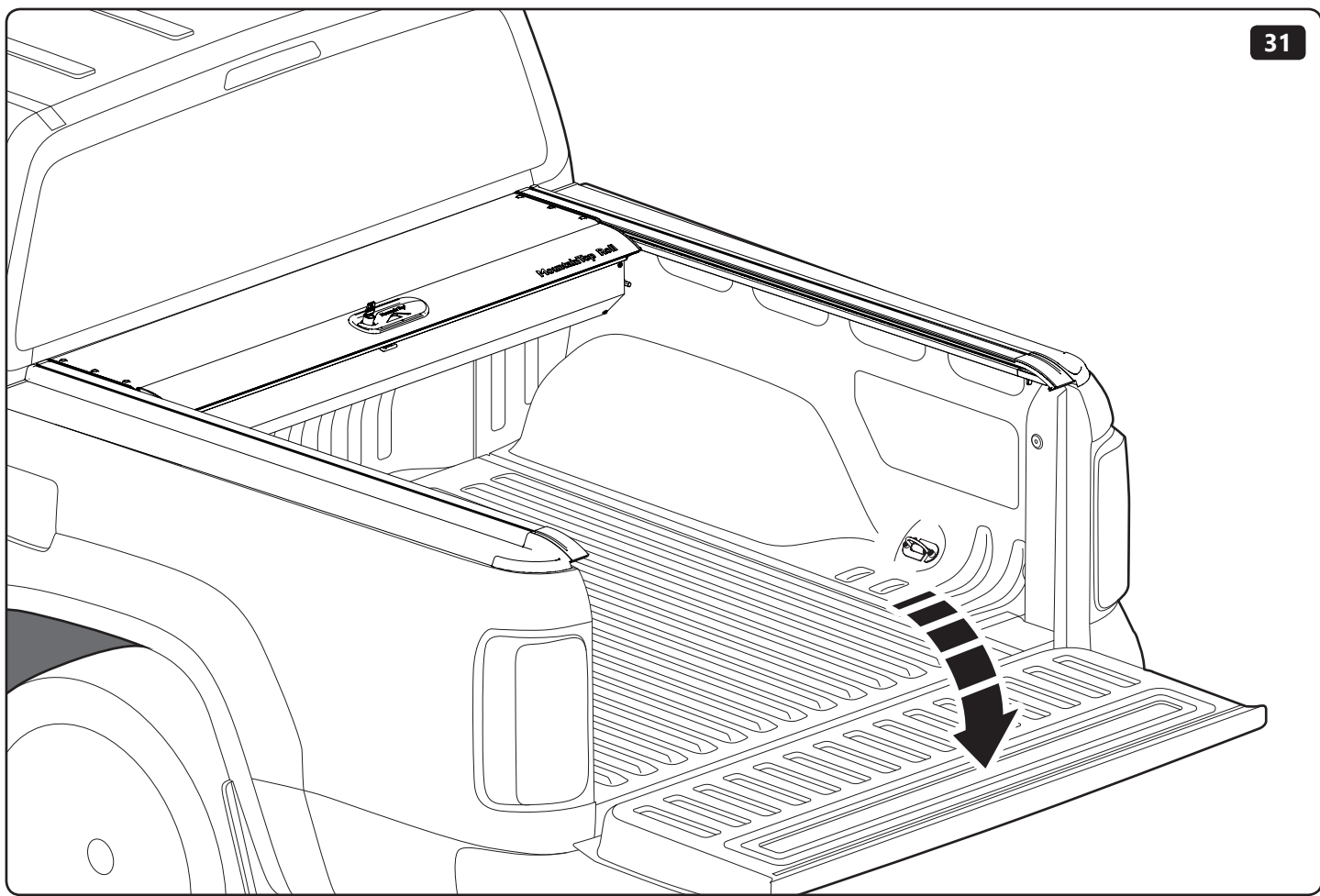
x 6

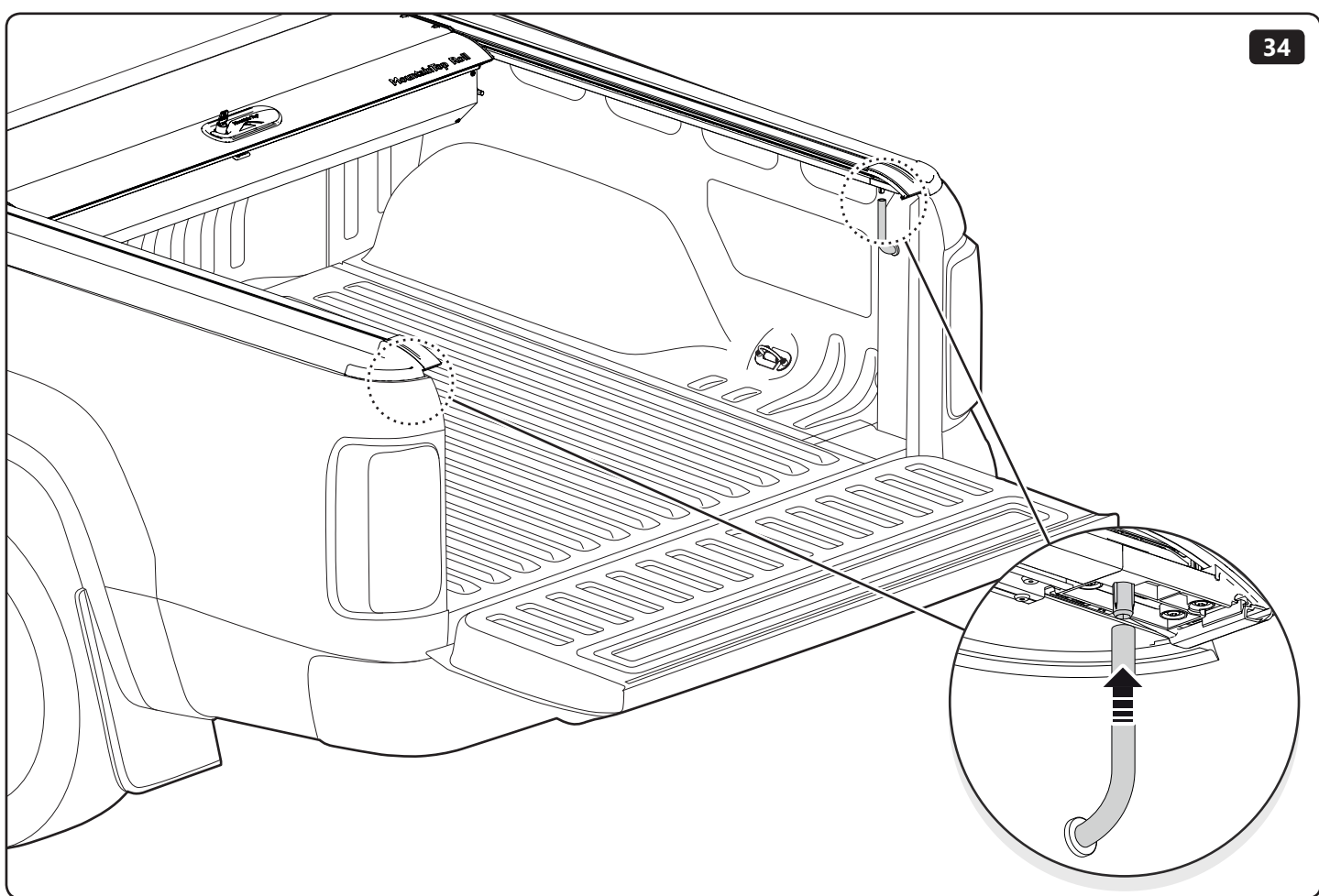
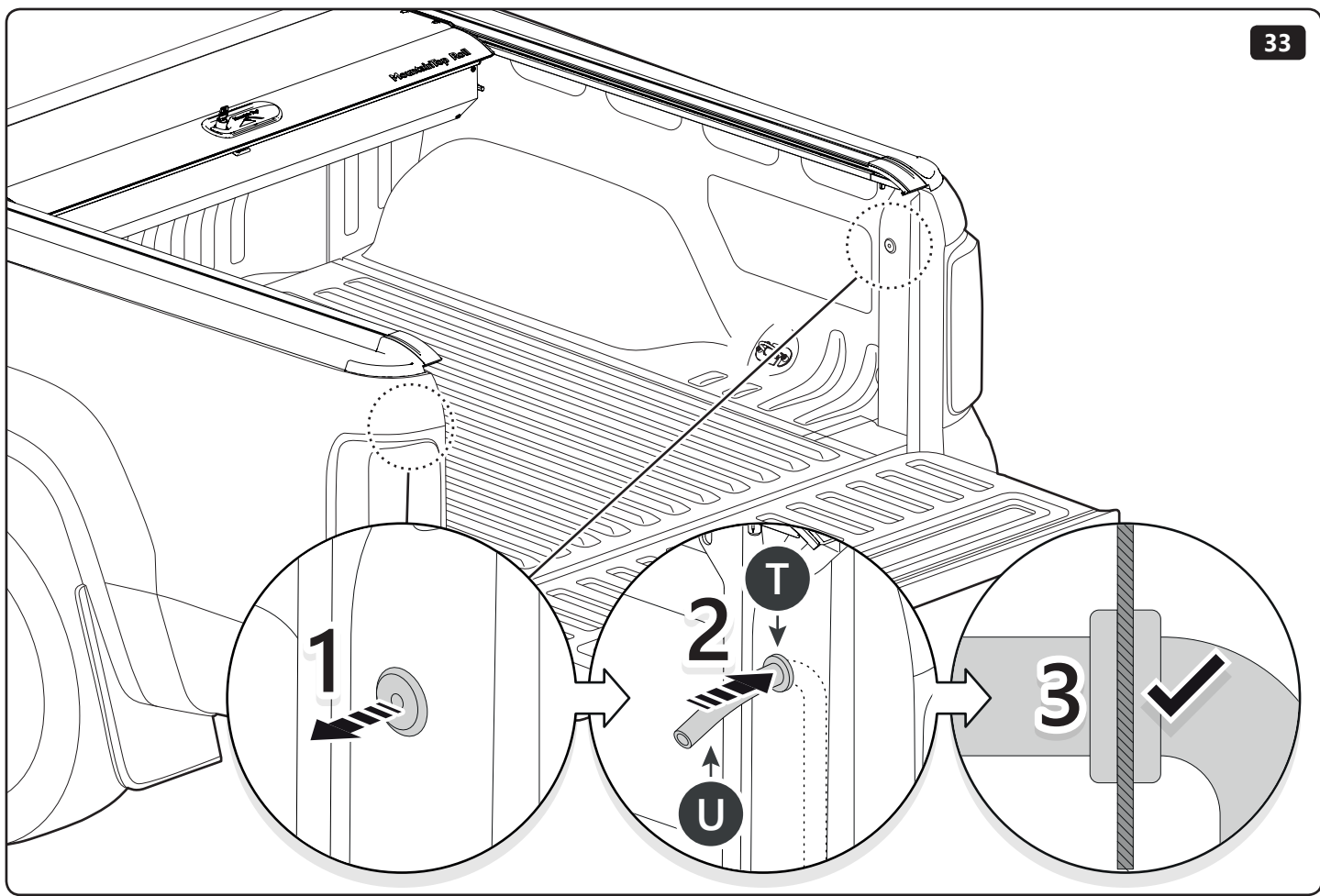




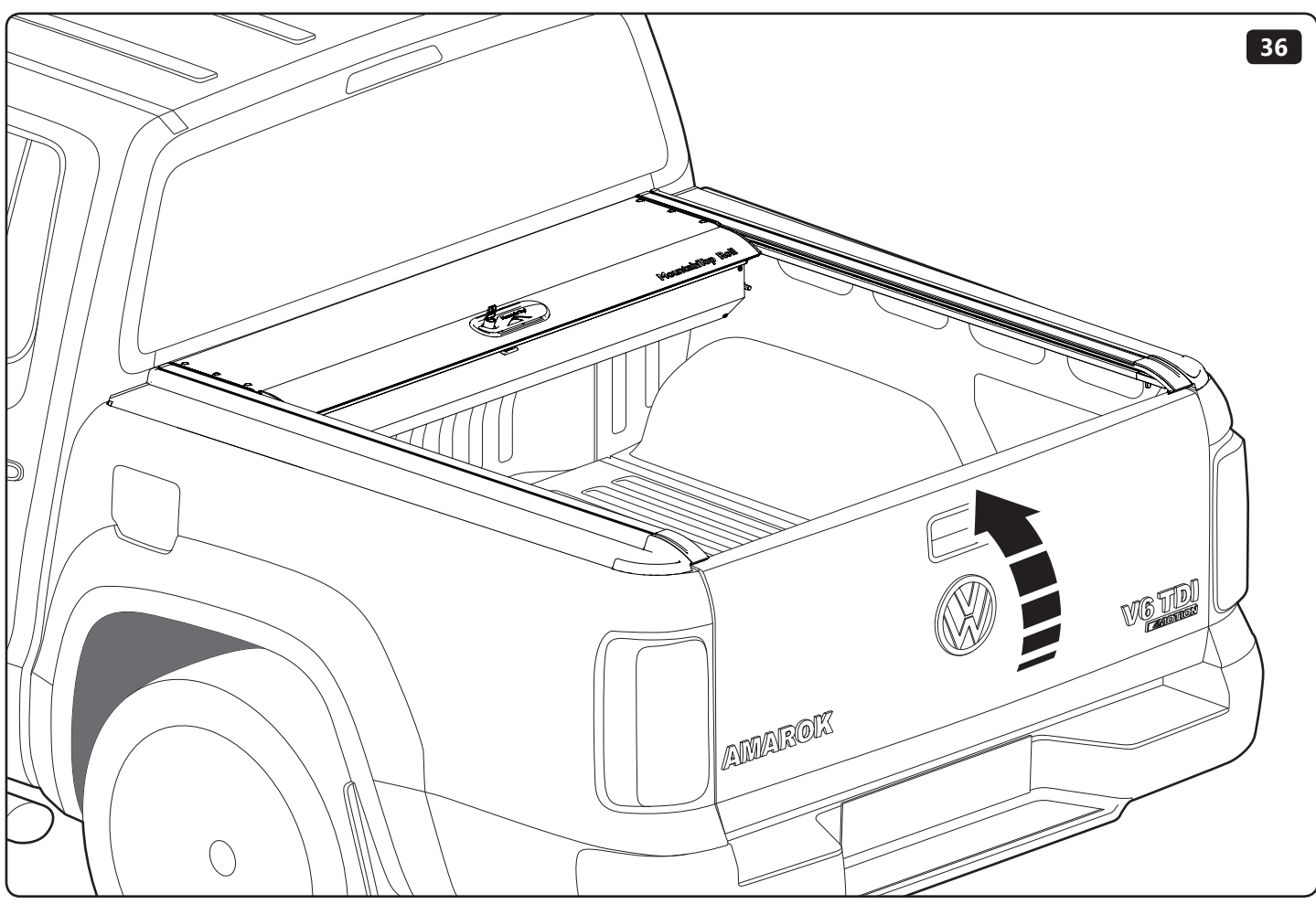
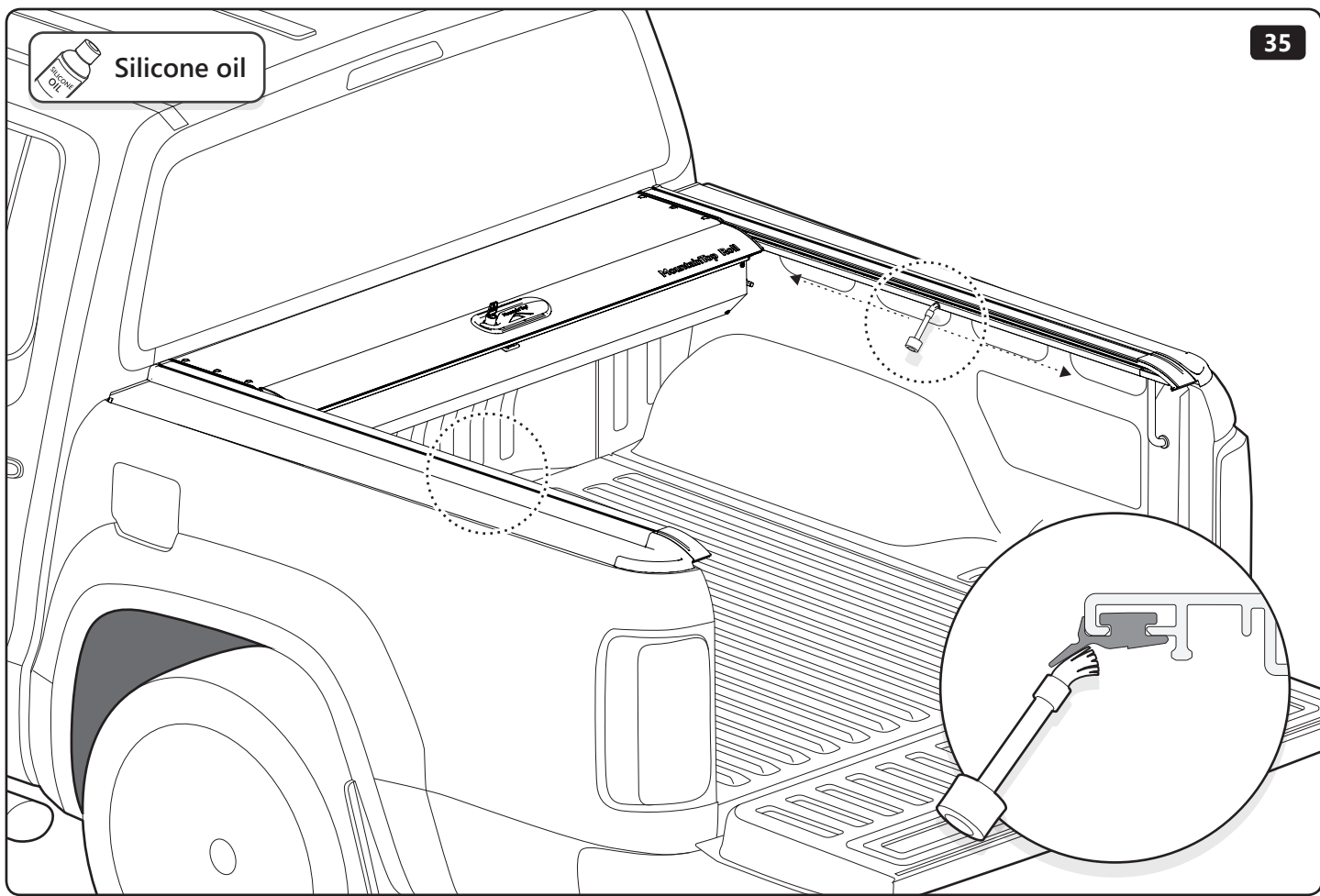




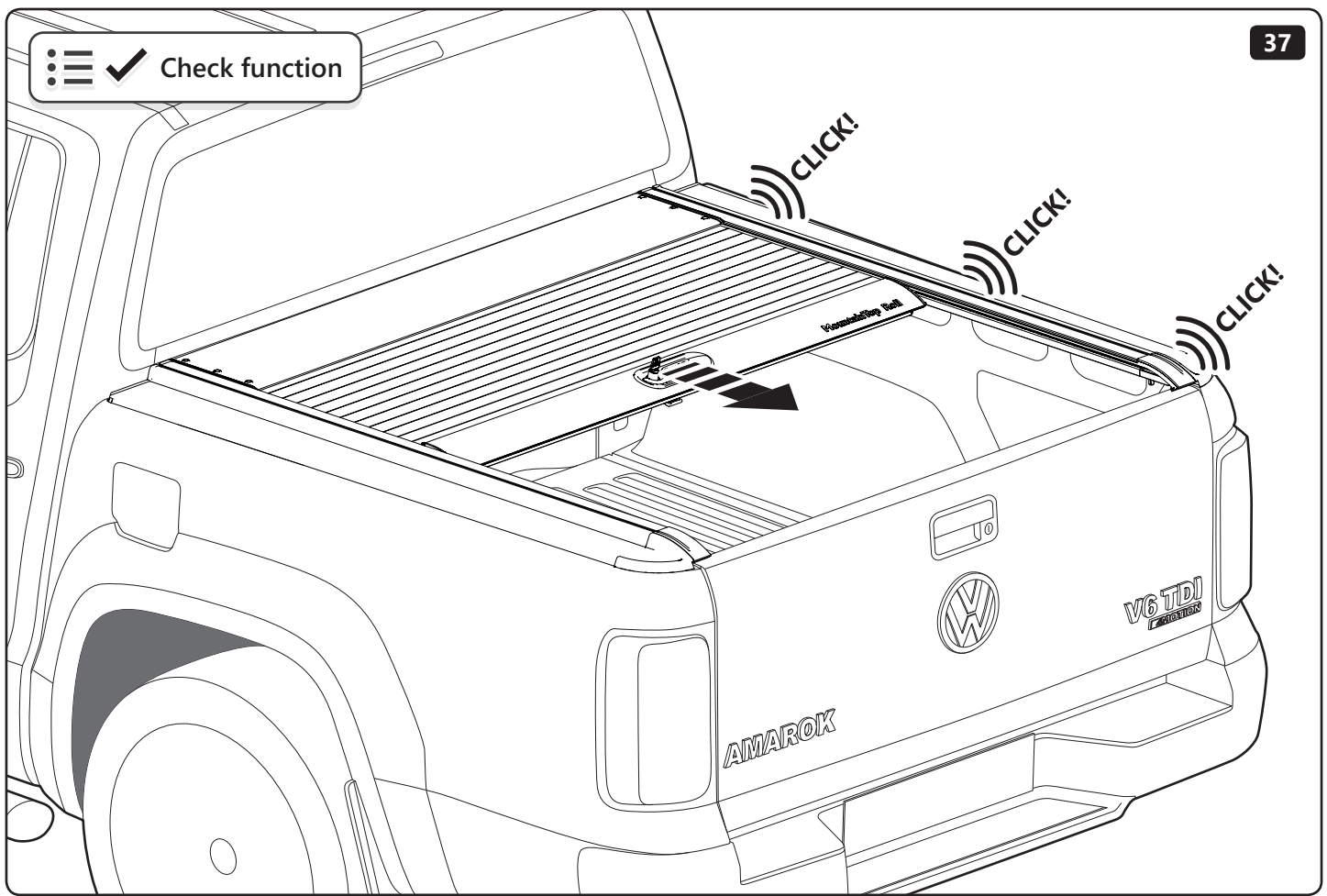




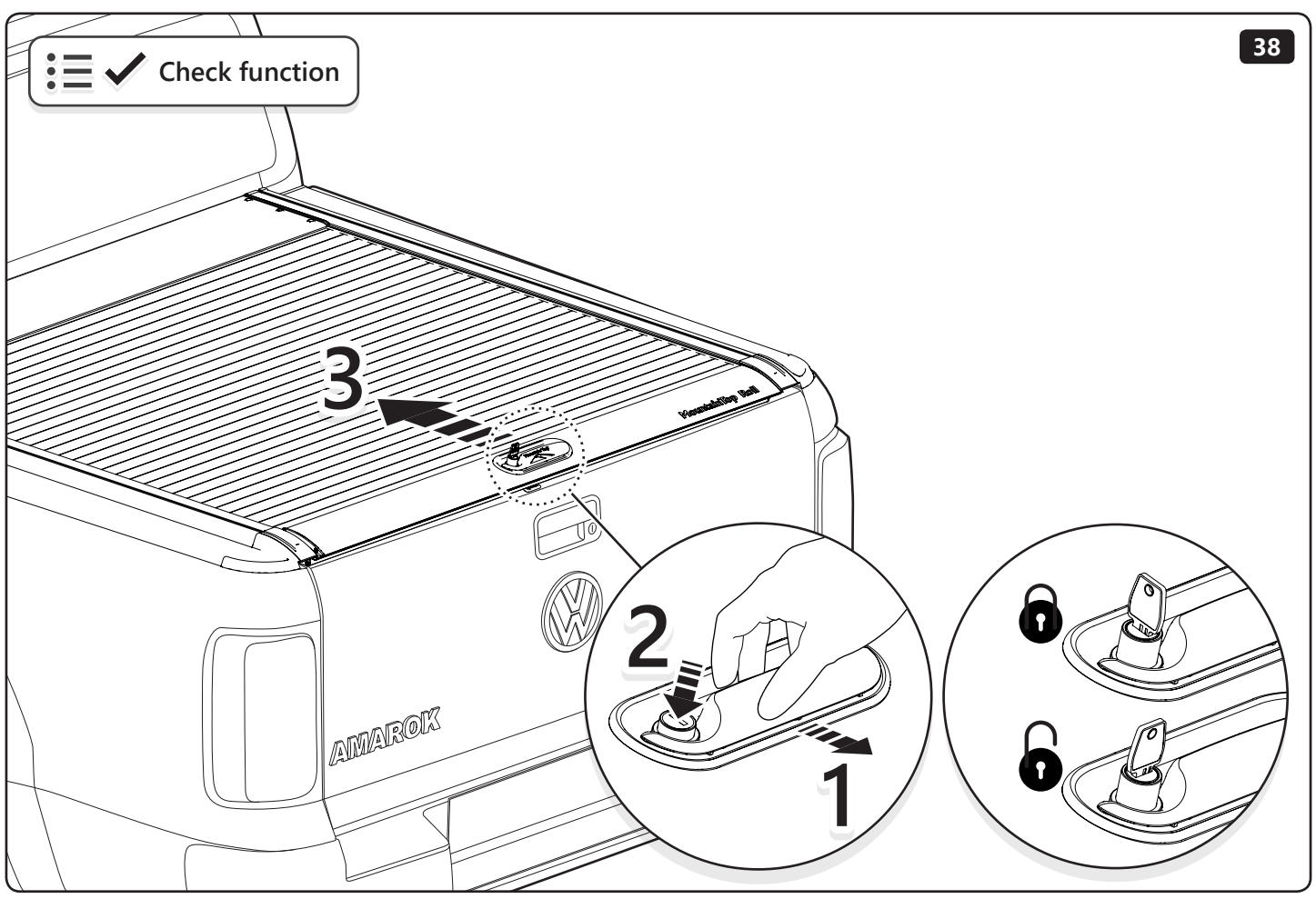
 Silicone oil



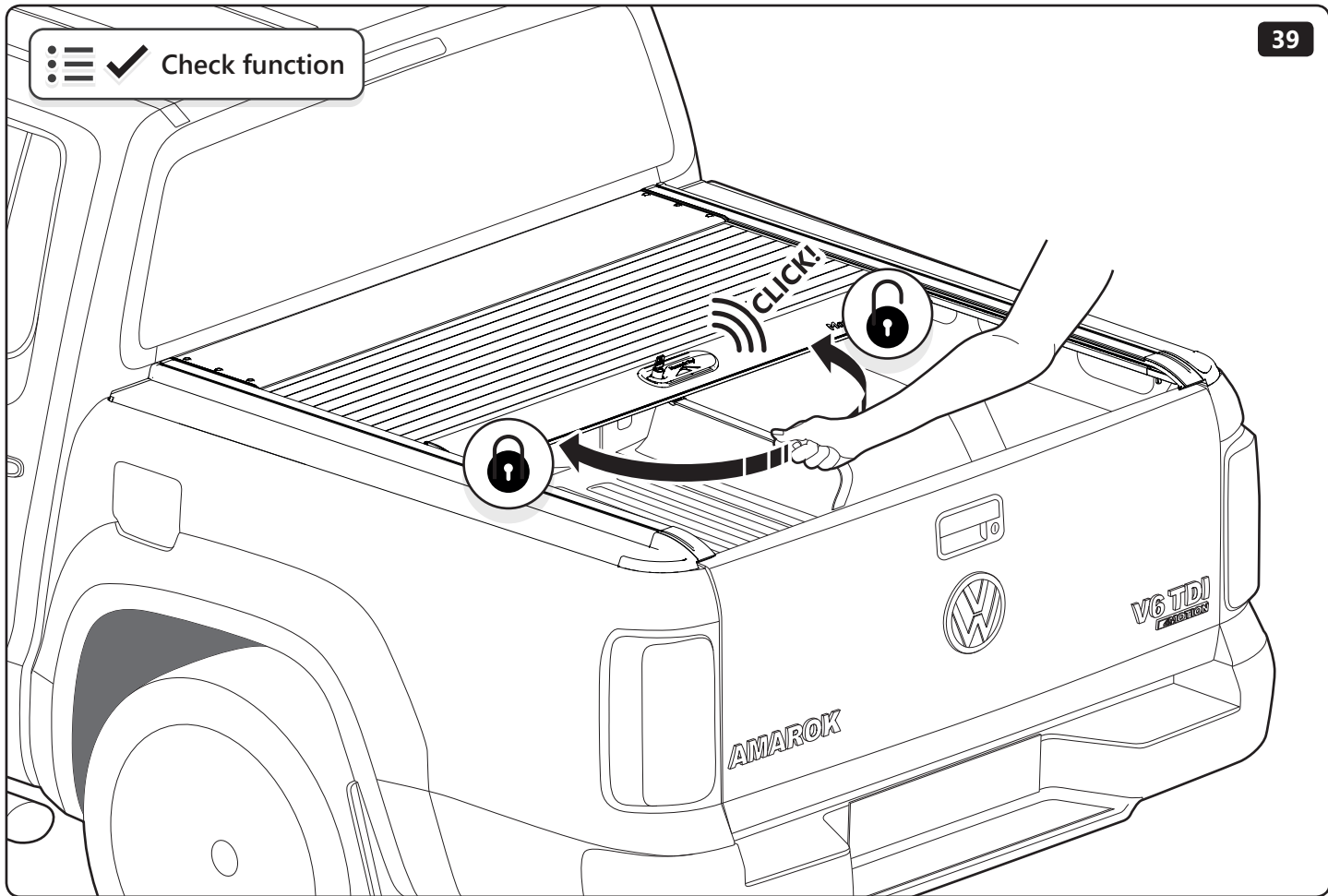
☰ ✓ Check function



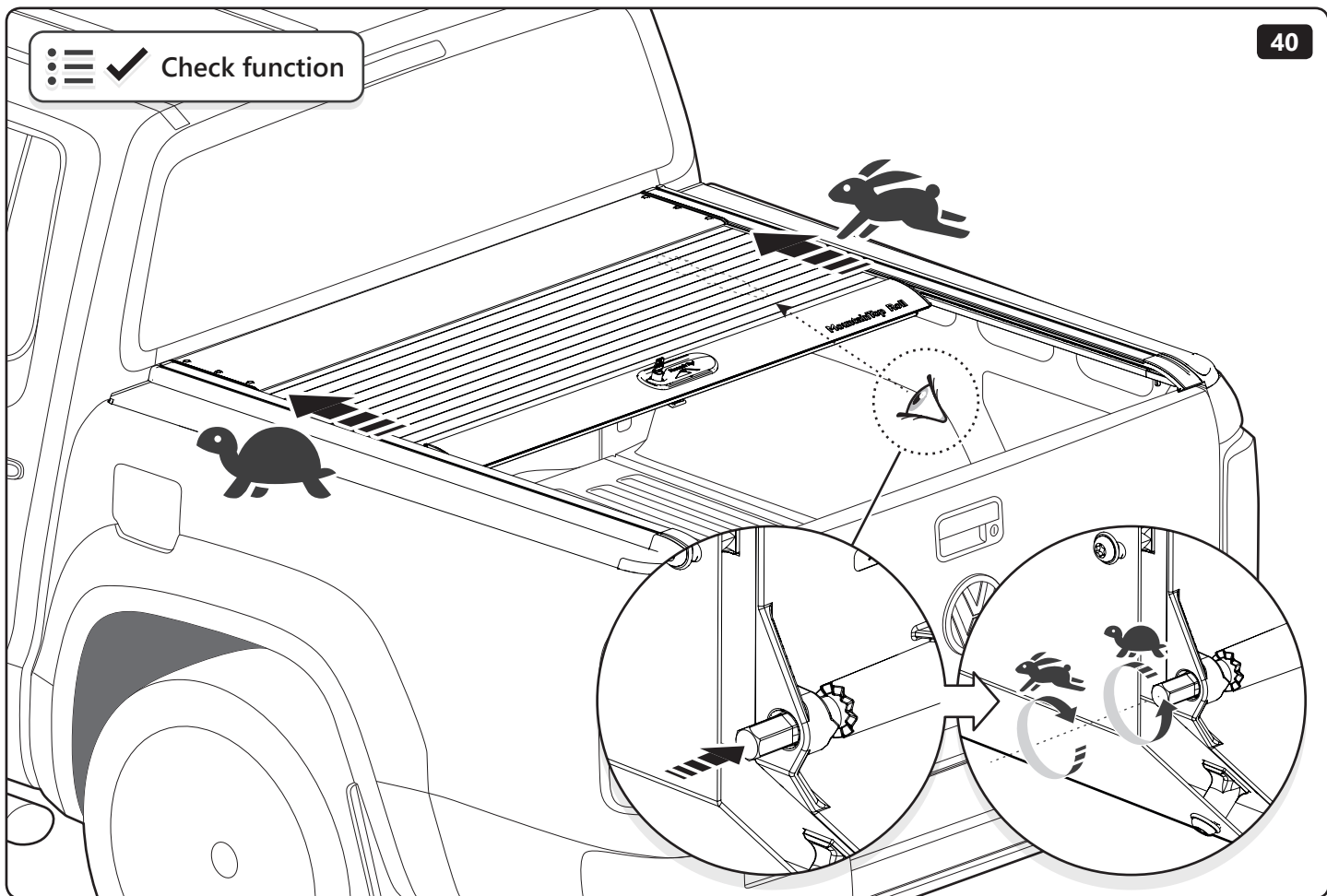
☰ ✓ Check function



☰ ✓ Check function



☰ ✓ Check function





Customer Service +45 4810 2950 (08:00 - 16:00 CET)
Fax +45 4810 2960
Support info@mountaintop.dk
Website www.mountaintop.dk
Address Pedersholmparken 10, 3600 Frederikssund, Denmark

PART NUMBER(S)	MODEL / YEAR	CAB TYPE(S)	INSTALLATION TIME	WEIGHT
MTR VW80 P01	Volkswagen / 2016 →	Double Cab	2 hour(s)	31-37 Kg

GB Installation manual	S Monteringsanvisning	D Einbauanleitung
SF Asennusohje	E Instrucciones de montaje	CZ Návod k instalaci
F Notice de montage	H Szerelési utasítás	I Istruzioni de montaggio
PL Instrukcja montażu	P Instruções de instalação	GR Οδηγίες Εγκατάστασης
NL Installatie-instructies	RUS Инструкция по установке	DK Monteringsvejledning
TR Montaj Talimatı	N Monteringsveiledning	RO Instructiuni de instalare