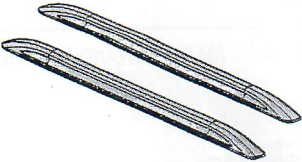






INSTALLATION INSTRUCTION AEROKLAS ROOF RAIL FLUSH STYLE

PARTS LIST

-  **1** ROOF RAIL FLUSH STYLE DC/SPC
-  **2** SCREW M6X25 mm.
DC = 10 PCS. / SPC = 14 PCS.
-  **3** COLLAR OD 10 mm.
DC = 10 PCS. / SPC = 14 PCS.
-  **4** BASE STAND RUBBER
LH = 2 PCS.
-  **5** BASE STAND RUBBER
RH = 2 PCS.

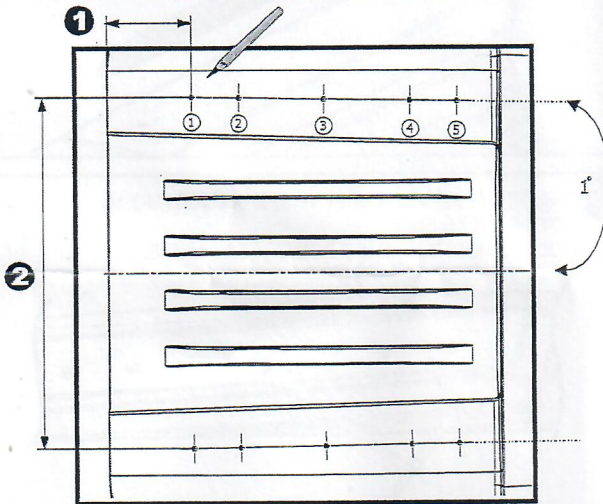
-  **6** INSTALLATION MANUAL
-  **7** T-NUT M6X1.0 (F-KIT)
= 4 PCS.

TOOLS REQUIRED

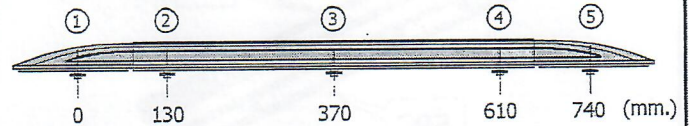
1. MEASUREMENT TAPE
2. MARKER PEN
3. CORDLESS DRILL
4. HOLE SAW \varnothing 13 mm.
5. T-TYPE WRENCH NO.10

METHOD FOR MARK POSITION TO DRILL HOLES FOR ROOF RAIL DC

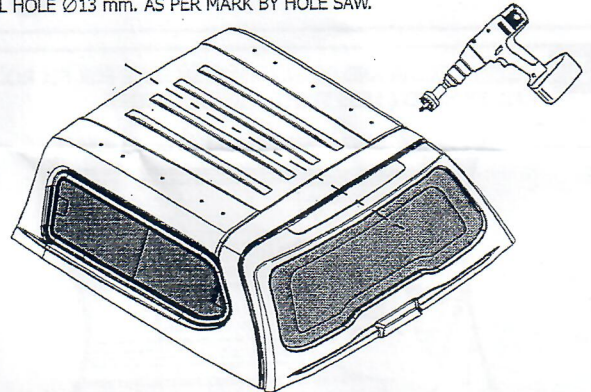
1. FIRST HOLE, MARK START FROM FRONT EDGE ABOUT 235 mm. (OR AS SUITABILITY EACH TYPE)
2. DISTANCE BETWEEN FIRST HOLE LH AND RH ABOUT 950 mm. (JUST FROM CENTER LINE 475 mm.) LINE SLOPE PARALLEL 1°



3. MARK POSITION 5 HOLES ON ROOF TOP SURFACE AS PER DIMENSION BELOW FOR ROOF RAIL DC (LEFT AND RIGHT).

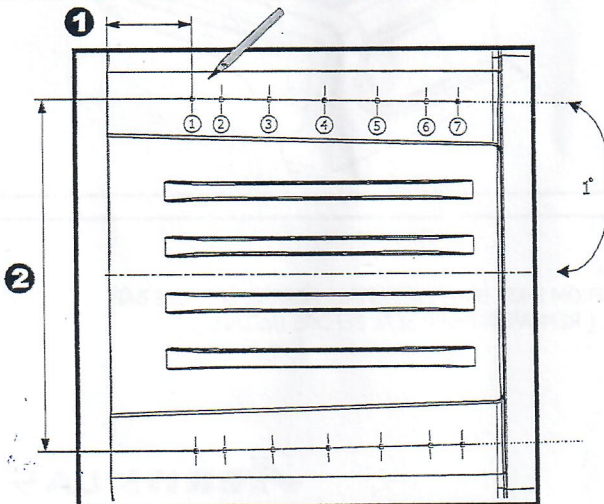


4. DRILL HOLE \varnothing 13 mm. AS PER MARK BY HOLE SAW.

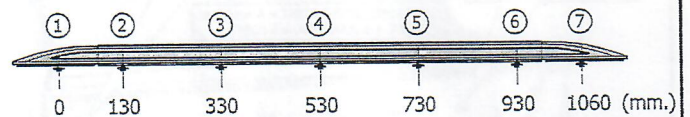


METHOD FOR MARK POSITION TO DRILL HOLES FOR ROOF RAIL SPC

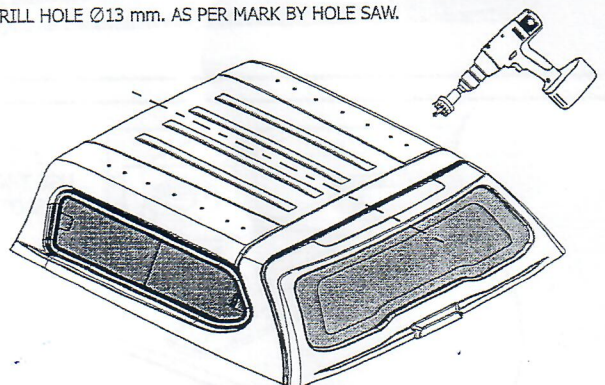
1. FIRST HOLE, MARK START FROM FRONT EDGE ABOUT 235 mm. (OR AS SUITABILITY EACH TYPE)
2. DISTANCE BETWEEN FIRST HOLE LH AND RH ABOUT 950 mm. (JUST FROM CENTER LINE 475 mm.) LINE SLOPE PARALLEL 1°



3. MARK POSITION 7 HOLES ON ROOF TOP SURFACE AS PER DIMENSION BELOW FOR ROOF RAIL SPC (LEFT AND RIGHT).



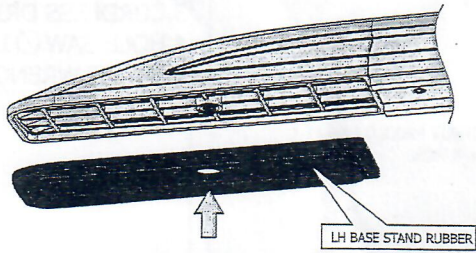
4. DRILL HOLE \varnothing 13 mm. AS PER MARK BY HOLE SAW.



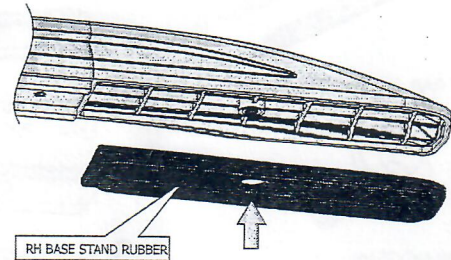
INSTALLATION INSTRUCTION AEROKLAS ROOF RAIL FLUSH STYLE

METHOD FOR INSTALL NEW ROOF RAIL FLUSH STYLE ON CANOPY

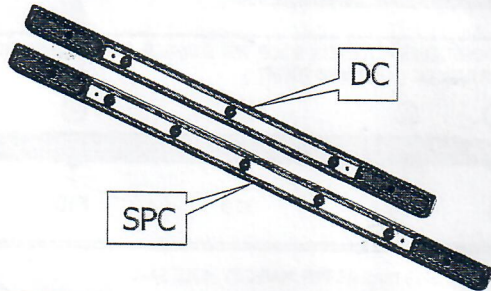
1 INSTALL LH BASE STAND RUBBER IN LH BASE STAND ROOF RAIL.



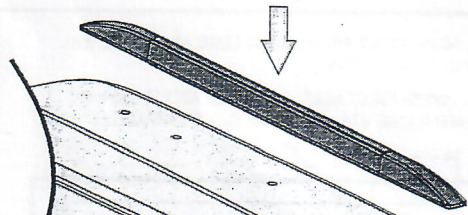
2 INSTALL RH BASE STAND RUBBER IN RH BASE STAND ROOF RAIL.



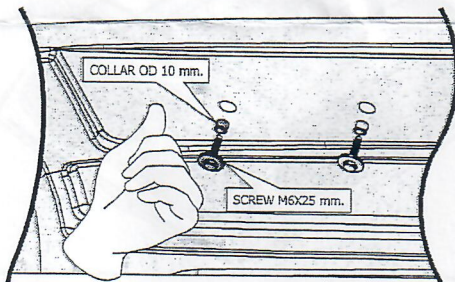
3 CHECK THE INTEGRITY OF PART RUBBER ON ROOF RAIL AS PER PICTURE BELOW.



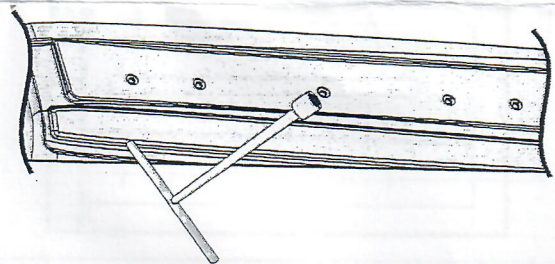
4 INSTALL ROOF RAIL AS PER MARK HOLE ON TOP ROOF BOTH RH & LH SIDE.



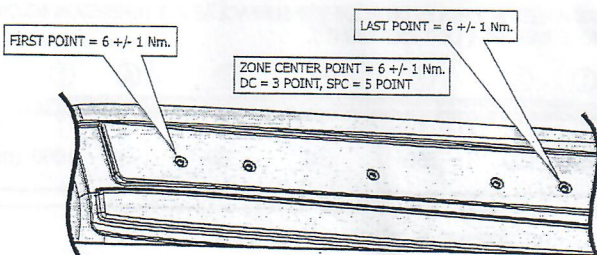
5 INSERT COLLAR AND SCREW M6X25 IN HOLE FOR FIX ROOF RAIL BY HAND (LESS TIGHT) INSIDE CANOPY.



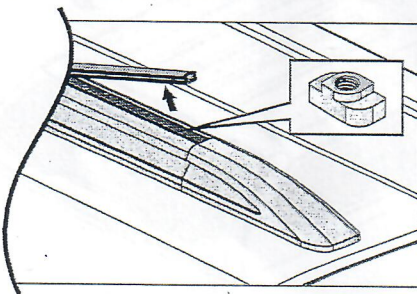
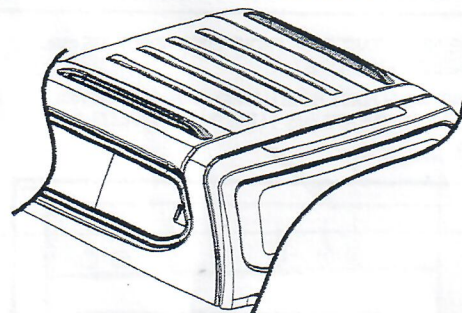
6 TIGHTEN SCREW M6X25 BY T-TYPE WRENCH NO.10 BOTH RH & LH SIDE.
(DC = 5 POINT , SPC = 7 POINT) , EACH SIDE.



7 RECOMMEND APPLY TORQUE ON ROOF RAIL FLUSH STYLE DC, SPC



8 FINISH INSTALLATION BOTH RH & LH SIDE.



USE T-NUT M6X1.0 FROM F-KIT BAG FOR INSTALL AEROKLAS CROSS BAR IN SLOT ROOF RAIL (REMOVE RUBBER SEAL BEFORE INSTALL).

AEROKLAS