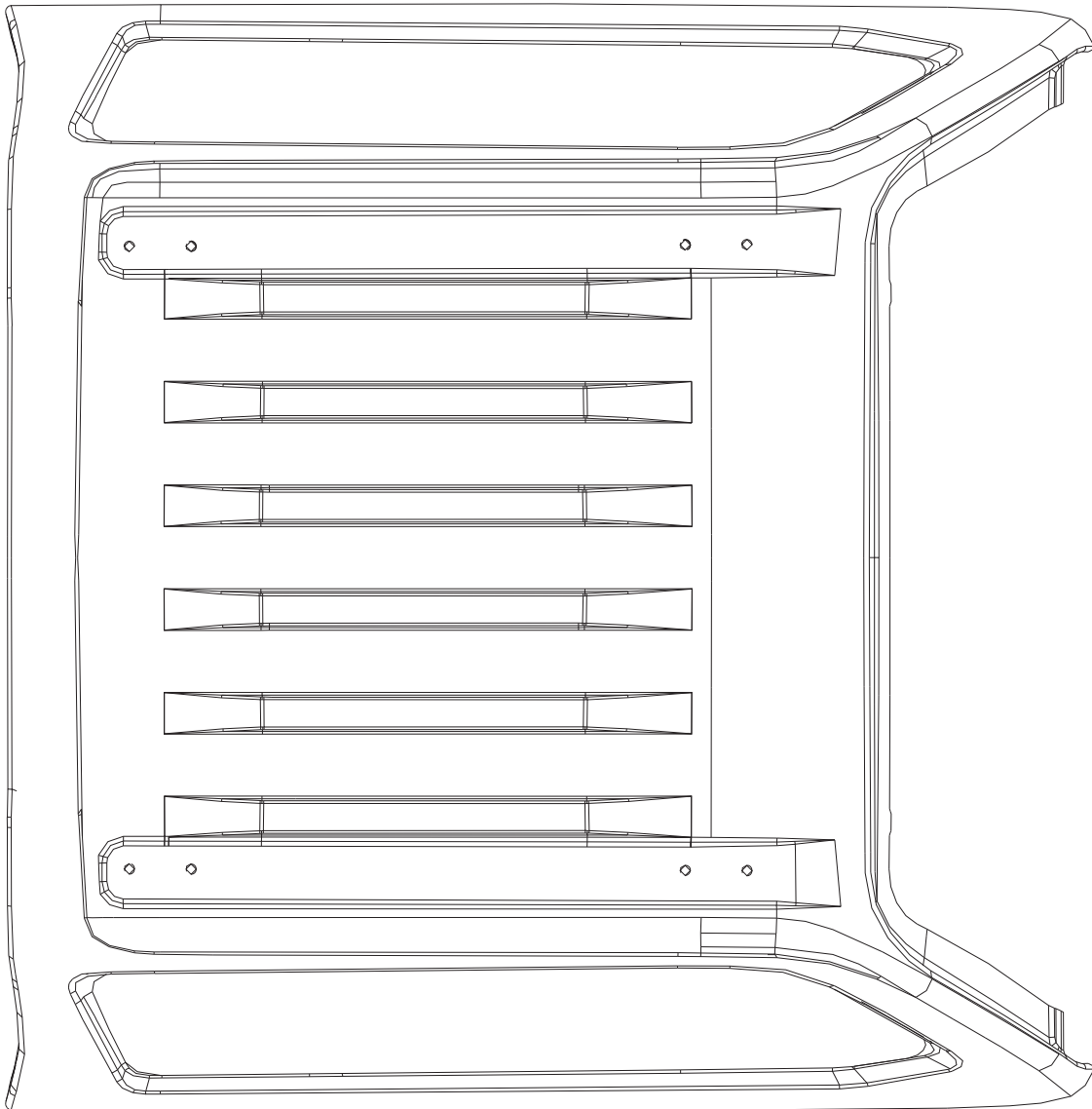
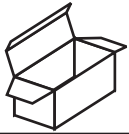


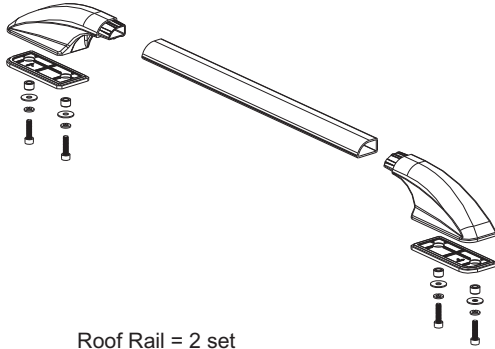
AEROKLAS

INSTALLATION MANUAL CANOPY ROOF STRUCTURE ONLY

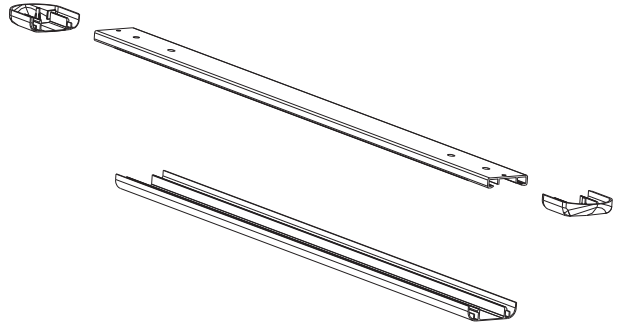




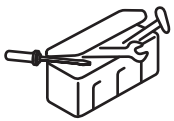
COMPONENT PART



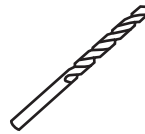
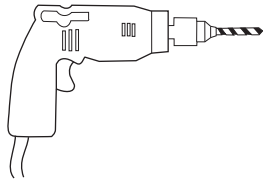
Roof Rail = 2 set
(SOLD SEPARATELY)



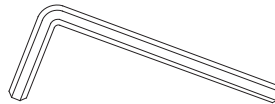
Structure Bar = 2 set



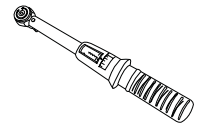
TOOLS



Drill \varnothing 15 mm.

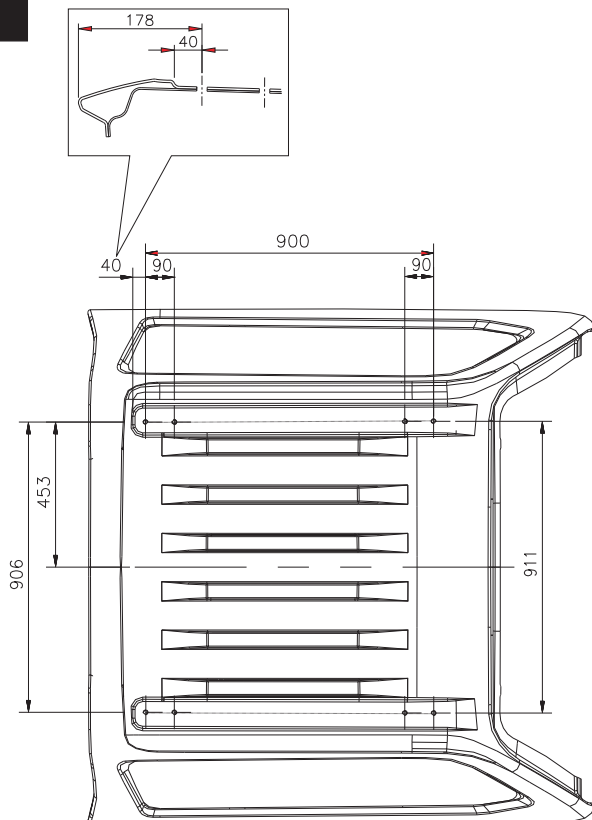


No.6 mm.

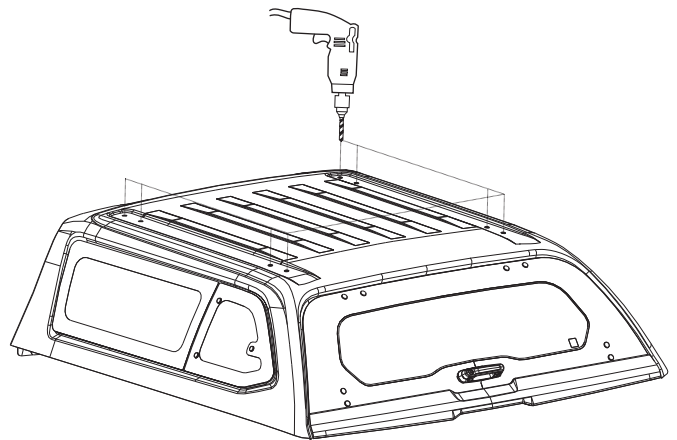


Torque Wrench

1



2



3

