

# TRIPLE-R

## 16 STANDARD



The Triple-R light bar range brings motorsport and world rally performance to the off-road market. Compared with the equivalent hybrid optic (T-16) product, the Triple-R 16 delivers 5x the peak intensity to deliver a mid-long range LED solution which will transform night-time and low-light off-road driving and recreation.

Tuned for a spot beam pattern, while still achieving a decent spread of light in the mid-long range, the Triple-R 16 comprises 16 high power LEDs producing 16,000 lumens at only 180 watts. The light delivers 1 lux at a distance of 900m, which at a mere 2.46kg, and 30" in length, it's phenomenal levels of illumination for a product of its size. Through the use of the Triple-R Reeded Lens system, the beam pattern can be easily tailored to provide additional spread when, or if, required.



**ULTRA LONG-RANGE  
LED DRIVING LAMPS**

# TRIPLE-R

## 16 STANDARD



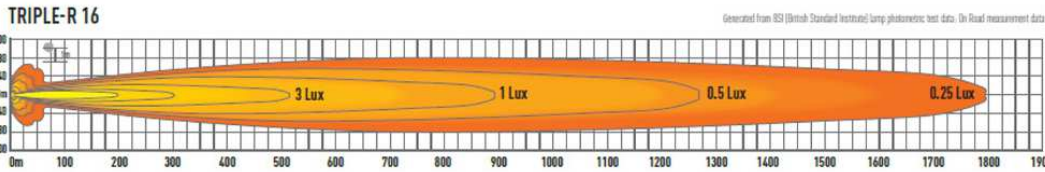
- Ultra long range optics
- High output LED's from world leader in LED technology
- CAE optimised heatsink
- Electronic thermal management
- 'Unbreakable' polycarbonate lens
- Supplied with vehicle wiring kit (8216-12V-SW) and both Side Brackets (1118K) and sliding Centre Mounts (1114K)
- Designed & manufactured in Britain



### TECHNICAL SPECIFICATIONS

E-MARK REF	N/A
VOLTAGE RANGE	9V-32V
RAW LUMENS	16000
BEAM PATTERN	Spot
OPTICAL EFFICIENCY	92%
BEAM DISTANCE (0.25LX)	1796m
# HIGH POWER LEDS	16
POWER CONSUMPTION	180 Watts
CURRENT DRAW**	12.5 Amps
LED LIFE	50,000 Hrs*
WEIGHT	2460 Grams

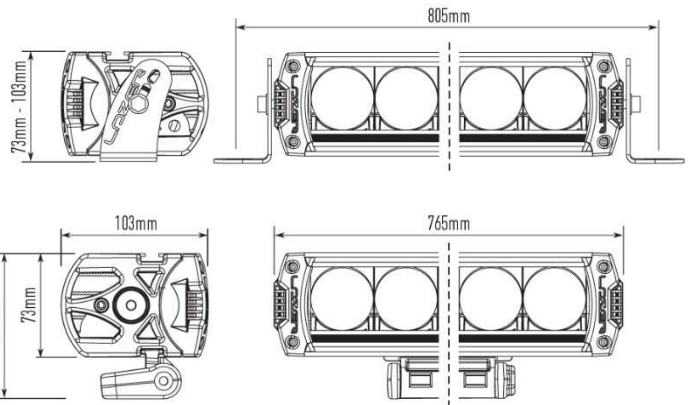
\* LED Manufacturers Specifications \*\* At 14.4 Volts



### MOUNTING OPTIONS



(Side Brackets and 2x Centre Mounts Included)



#### LAZER LAMPS LTD

Unit 2 Pages Old Mill, Tamworth Road, Hertford, SG13 7DG, UK

Tel: +44(0)1992 677071

Email: sales@lazerlamps.com

www.lazerlamps.com

# LAZER

HIGH PERFORMANCE LIGHTING

