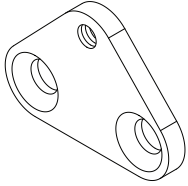
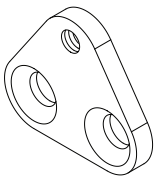
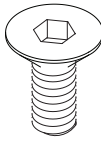
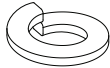
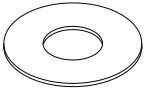
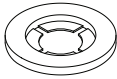
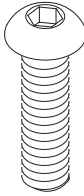


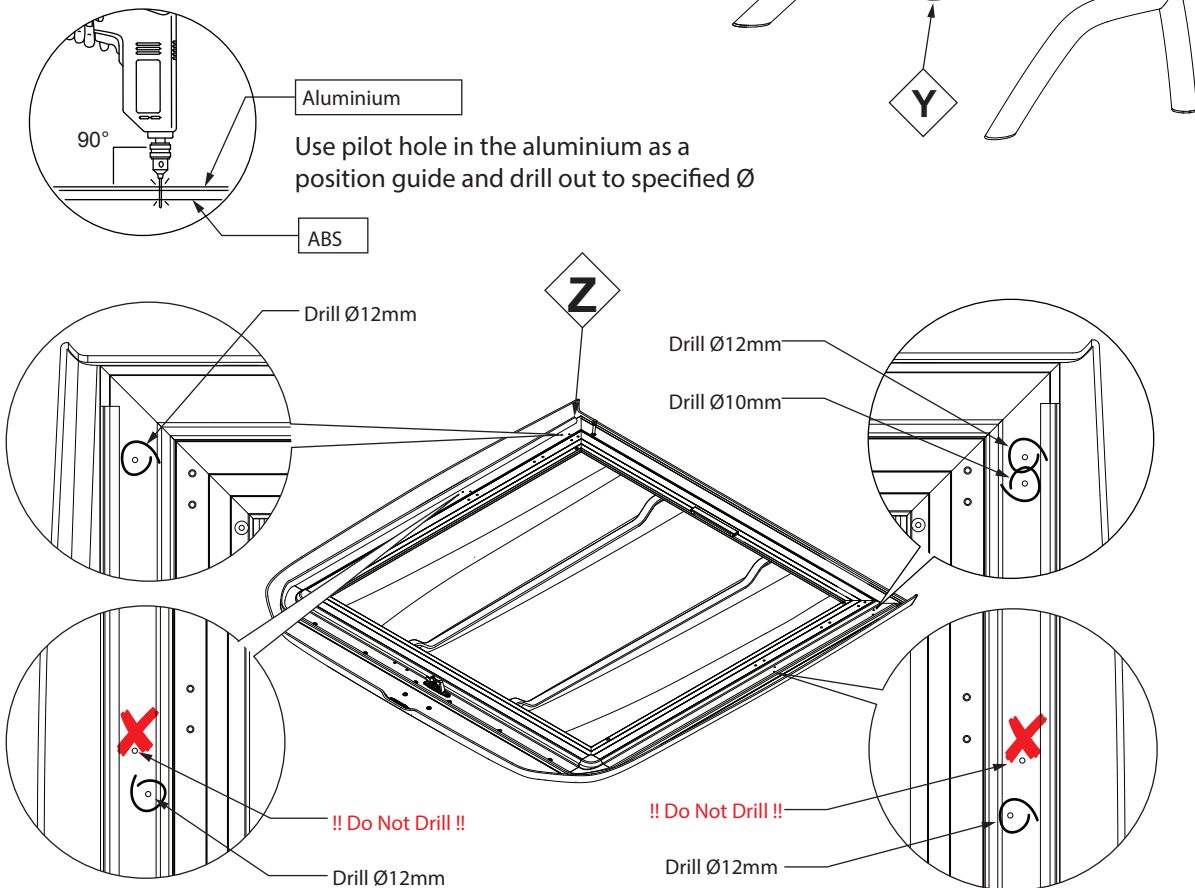
INSTALLATION INSTRUCTIONS (K315) FORD RANGER OE BAR TO *SPORTLID*

A		B	
Rear Foot Plate	X2	Front Foot Plate	X2
		C	
		M8x20mm CS Bolt	X8
			D
			
			M8 Spring Washer
			X4
E		F	
M8x25mm Washer	X4	Self Retaining Nylon Washer	X4
		G	
		M8x30mm Bolt	X4

-  = EXISTING PART
-  = NEW PART

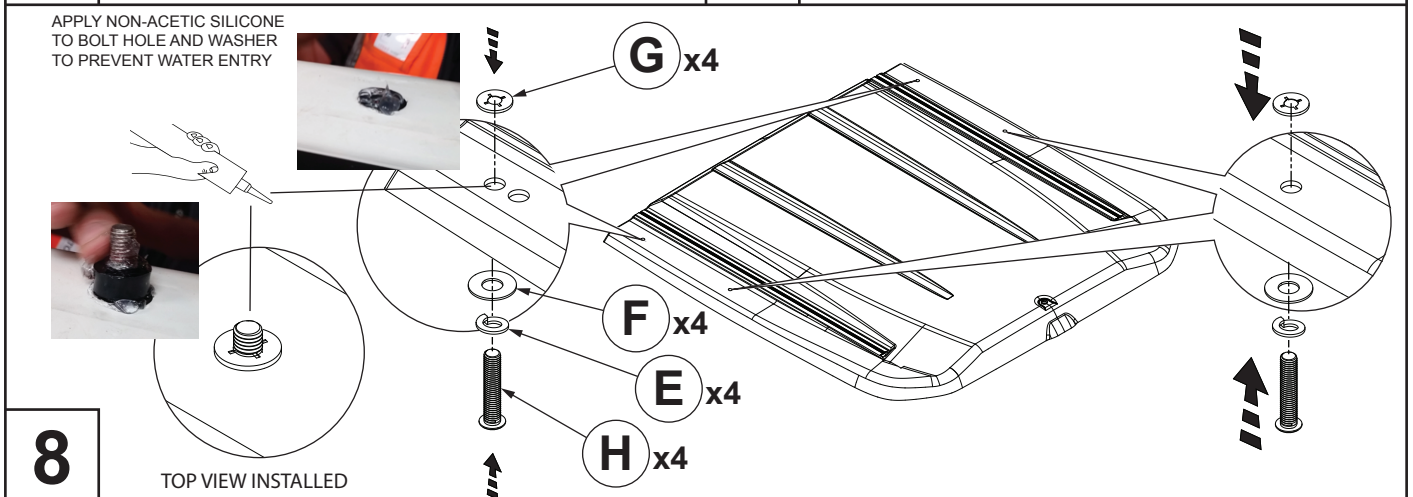
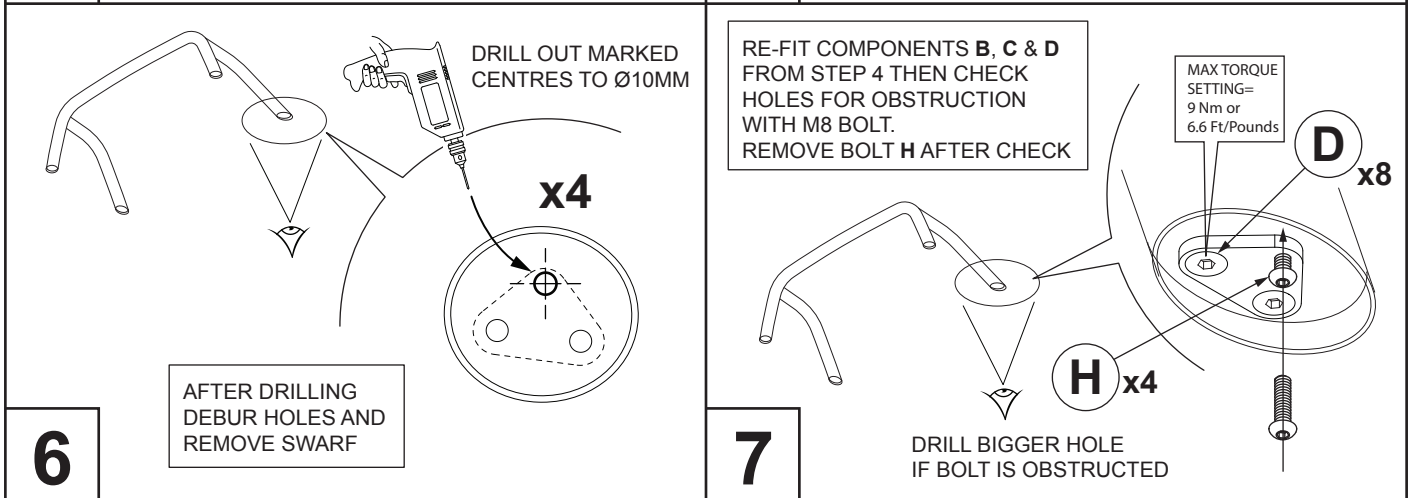
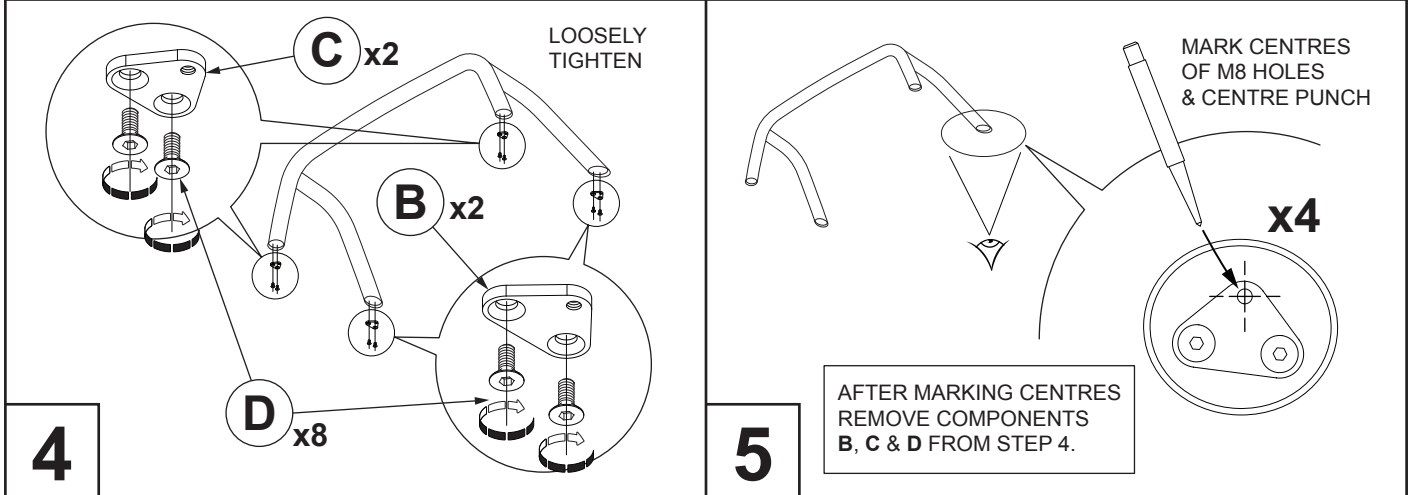
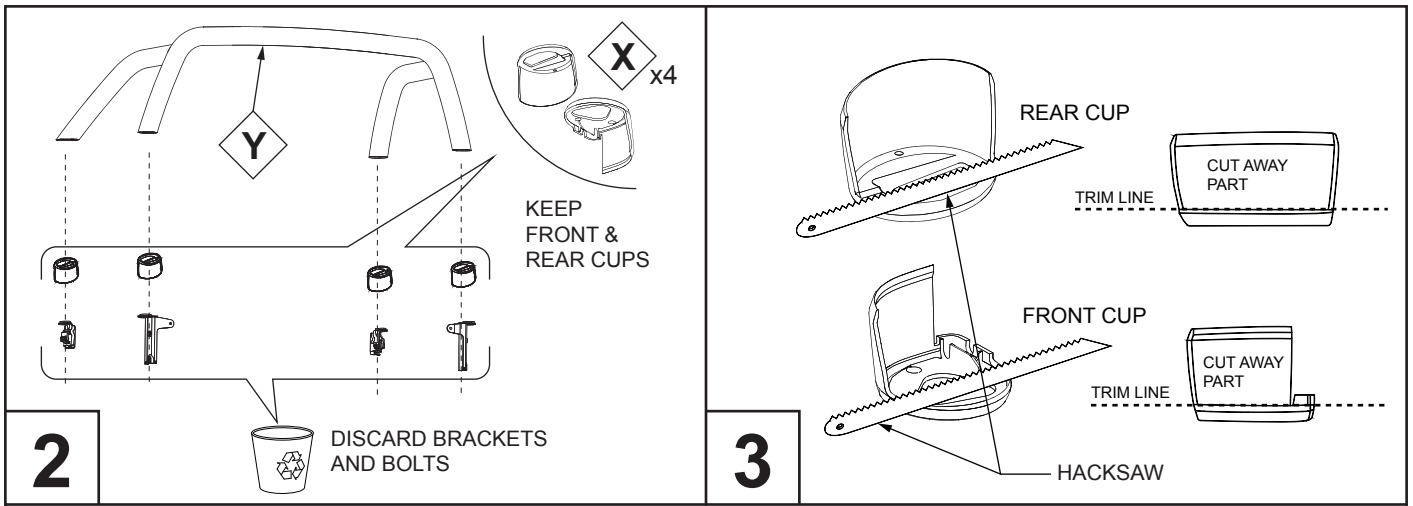
IMPORTANT to take care and drill correct holes

See fitting instructions for the Ford Ranger SPORTLID fitment until prompted to see these OE Bar fitting instructions (K315)

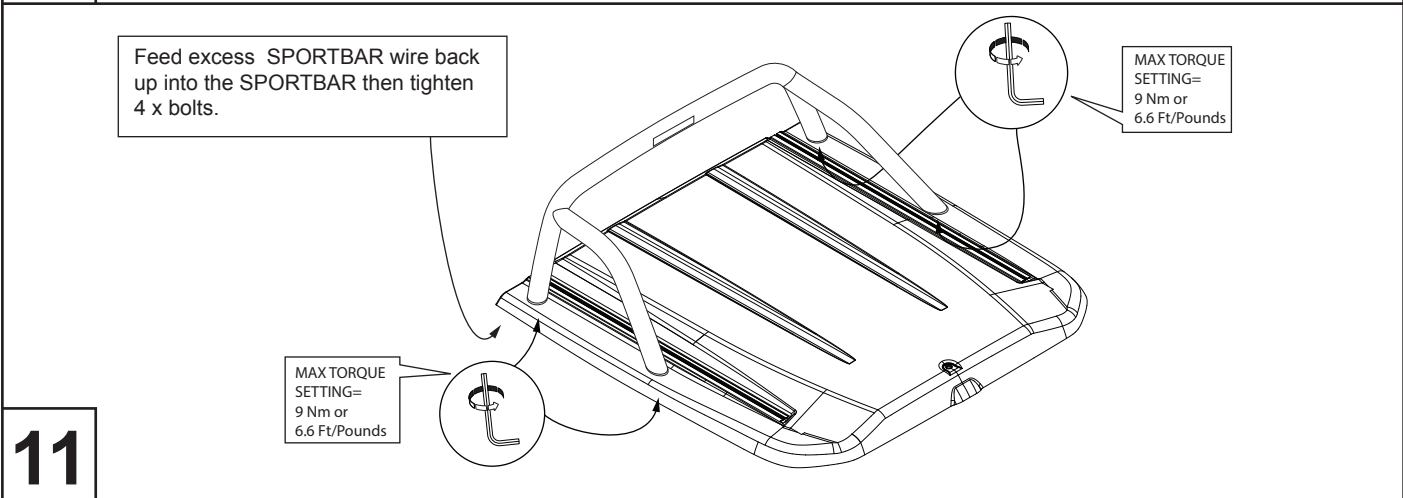
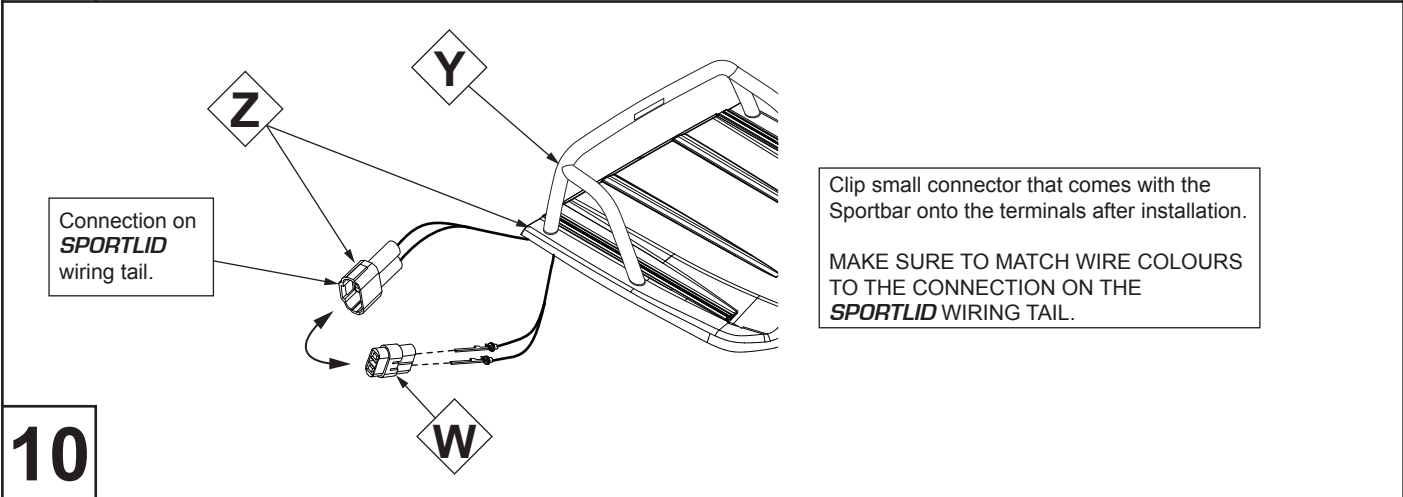
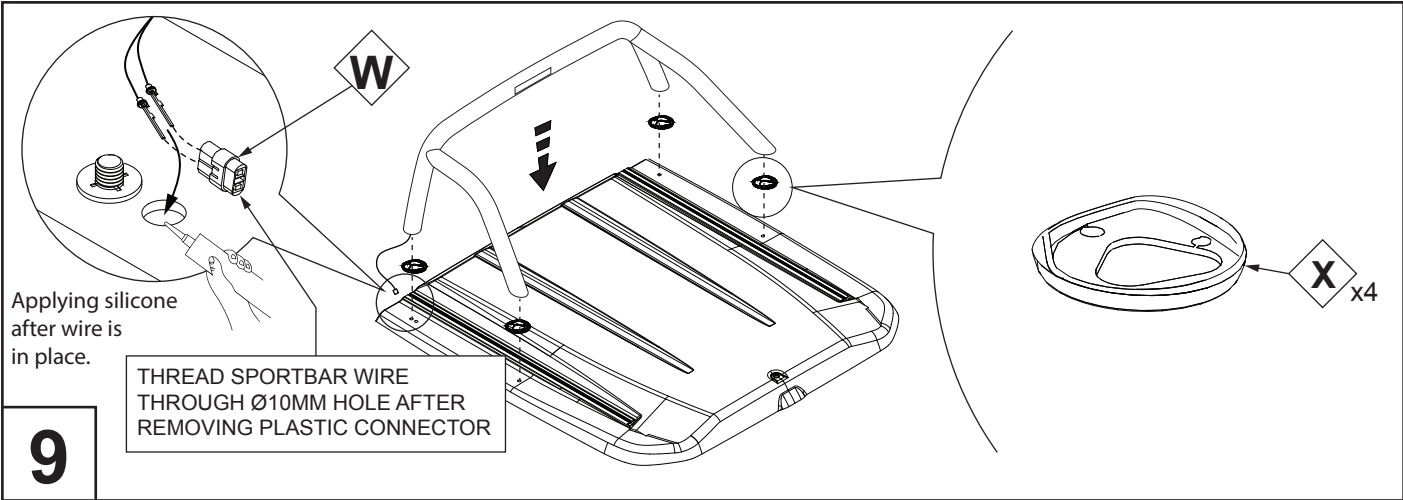


1

Fitting Kit Number	Manufacturer	Model Type	Year	Stockist	Cab Size	Product	Revision	Date	Page
K315	Ford	Ranger	2011	-	DC	Ford OE Bar	3	03-05-17	1 of 3



Fitting Kit Number	Manufacturer	Model Type	Year	Stockist	Cab Size	Product	Revision	Date	Page
K315	Ford	Ranger	2011	-	DC	Ford OE Bar	3	03-05-17	2 of 3



Fitting Kit Number	Manufacturer	Model Type	Year	Stockist	Cab Size	Product	Revision	Date	Page
K315	Ford	Ranger	2011	-	DC	Ford OE Bar	3	03-05-17	3 of 3