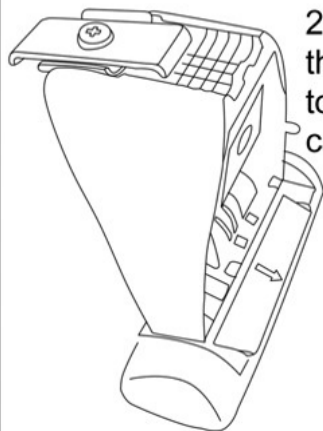
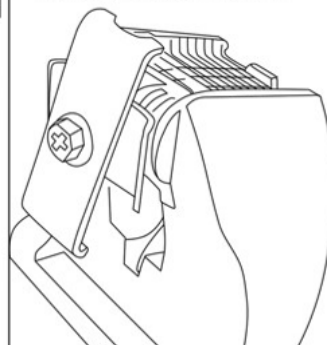


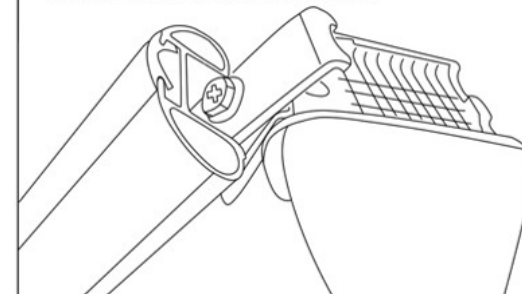
1. Join the main body to the base.



2. Check that they are locked together and can swivel.

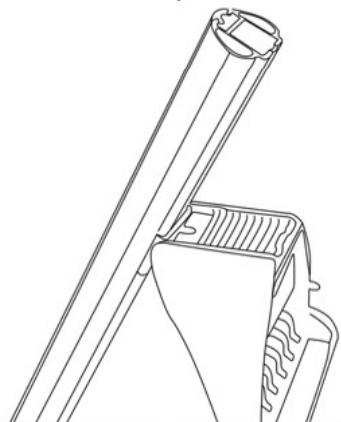


3. Loosen the top screw slightly but not too much.

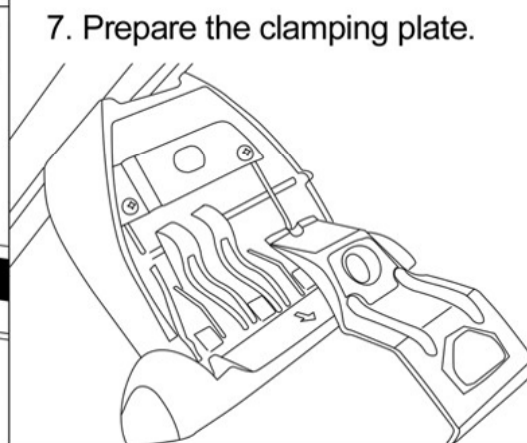
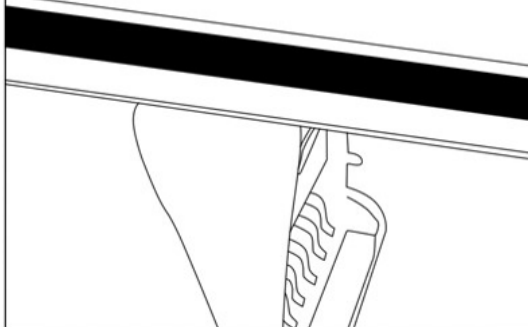


4. Place the plate onto the crossbar. Ensure that the bottom plate sits outside of the crossbar.

5. Slide the crossbar along the foot to the correct position at the angle.

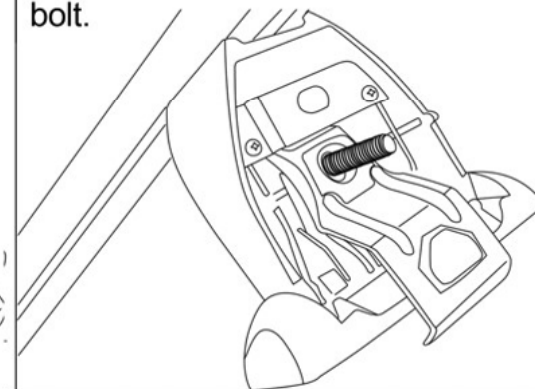


6. Swing the crossbar so it sits flush on the foot. If crossbar can still slide or does not sit flush, go back to stage 3 for adjustment.

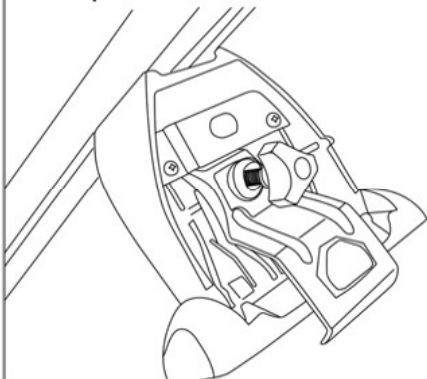


7. Prepare the clamping plate.

8. Place the clamping plate onto the bolt.



9. Place the foot and the rubber base onto the vehicle and tighten the quick release nut.



10 Place the cover onto the foot and lock using the key.

